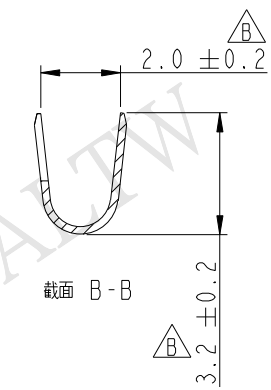
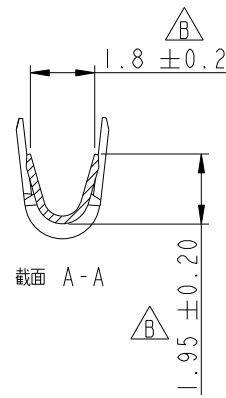
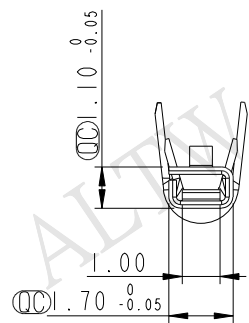
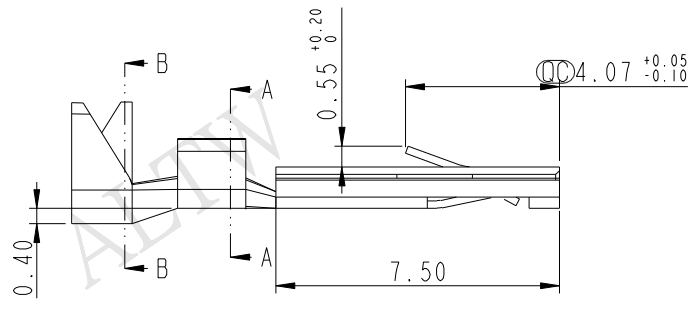
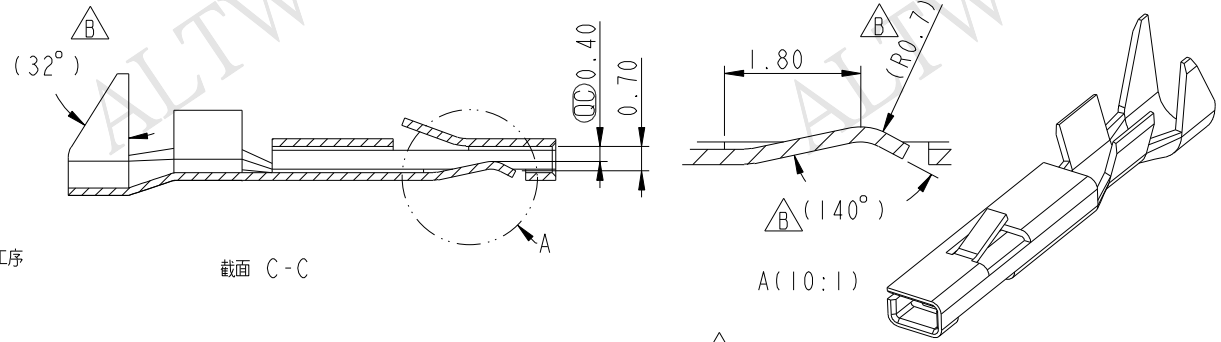
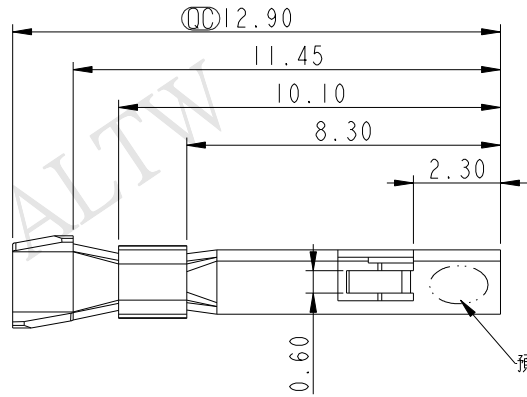
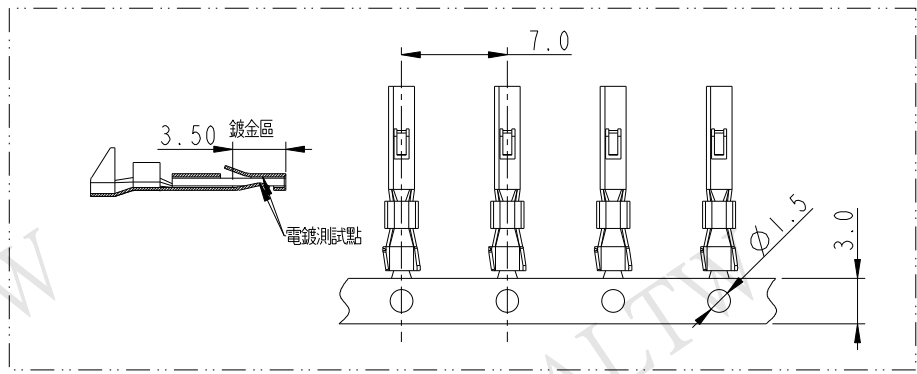


REV.	ECN NO.	DATE	SIGN	DESCRIPTION
A	Initial Release	2014-07-31	Cary	Change To Rev.A
B	LEN15C0241	2015-12-16	Fisher	Update tolerance & Package



ALTW
CONFIDENTIAL
2015-12-16
R&D DEPT.



- Note:
- * \varnothing Important Dimension.
 - * Material: C5191, $t=0.2\pm 0.01$ mm.
 - * Finish: 3u" Min Gold Plating Over Nickel Plated 60~120u"
 - * Mold No.: PXI4007A
 - * 5A, 適用20#~22# Wire
 - * 鹽霧測試24小時

UNIT: mm		
TOLERANCE	.X ±0.25	
.XX ±0.1		
.XXX ±0.05		
ANGLES	±1°	

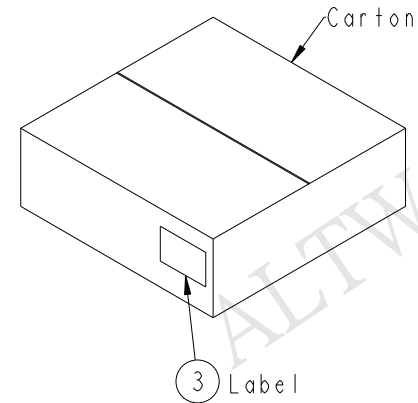
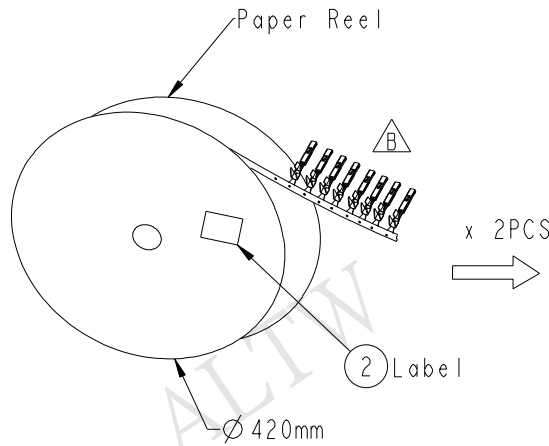
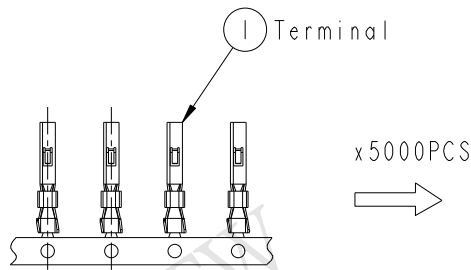
TITLE SSL1.2 FEMALE TERMINAL		
SCALE 5:1	SIZE A4	SHEET 1 OF 2
REV. B	WC-REV. A.11	\varnothing : Inspection item

Amphenol LTW
安費諾亮泰企業股份有限公司

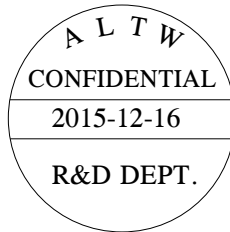
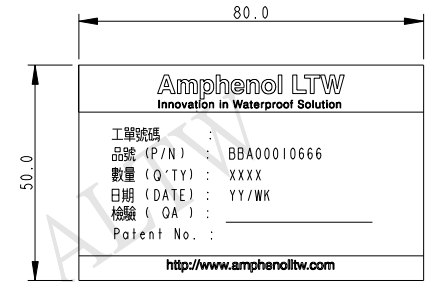
ITEM NO. BBA00010666	DRAWN BY Fisher_Wang	DATE 2015-12-16
DWG NO. BBA00010666	CHECKED BY Victor_Hung	DATE 2015-12-16
CUSTOMER ALTW	APPROVED BY Kevin_Hu	DATE 2015-12-16

THIS DOCUMENT IS SUBJECT TO CHANGE WITHOUT NOTICE. IT IS CONFIDENTIAL AND A PROPERTY OF Amphenol LTW. DISCLOSURE TO THIRD PARTY HAS TO BE AUTHORIZED BY Amphenol LTW.

Packing:



Print content of label



QUANTITY

1. 5000 PCS Terminals In Per Reel.
2. 2 Set Reel In Per Carton.
Net Weight: 1.2Kg/Carton.
Gross Weight: 2.1Kg/Carton.
3. If Only One Reel, Using Fillers Filled Carton.

UNIT: mm		TITLE		<h1>Amphenol LTW</h1> <p>安費諾亮泰企業股份有限公司</p>	ITEM NO	DRAWN BY	DATE
		SSL1.2 FEMALE TERMINAL			BBA00010666	Fisher_Wang	2015-12-16
		SCALE	SIZE		SHEET	DWG NO	CHECKED BY
TOLERANCE .X ±0.25 .XX ±0.1 .XXX ±0.05 ANGLES ±1°		1:1	A4	2 OF 2	BBA00010666	Victor_Hung	2015-12-16
		REV.	WC-REV.	QC: Inspection item	CUSTOMER	APPROVED BY	DATE
		B	A.11		ALTW	Kevin_Hu	2015-12-16

THIS DOCUMENT IS SUBJECT TO CHANGE WITHOUT NOTICE. IT IS CONFIDENTIAL AND A PROPERTY OF Amphenol LTW. DISCLOSURE TO THIRD PARTY HAS TO BE AUTHORIZED BY Amphenol LTW.

X-ON Electronics

Largest Supplier of Electrical and Electronic Components

Click to view similar products for [Lighting Connectors](#) category:

Click to view products by [Amphenol](#) manufacturer:

Other Similar products are found below :

[293300-7](#) [293660-5](#) [CNX_H03_NTP](#) [30-9767-BU](#) [3605](#) [3-21030-1](#) [ZCH-110-RGB-I](#) [503471-0290](#) [ZCH-110-RGB-J](#) [217-0716-200](#)
[1954563-1](#) [1-293657-2](#) [2834036-1](#) [2834037-1](#) [1-2213222-4](#) [2-2213222-4](#) [2213222-4](#) [2834122-3](#) [2834122-5](#) [2834135-2](#) [FLA-R4142-30](#)
[FLA-R4162-30](#) [FLA-R2142-30](#) [FLA-R2162-30](#) [FLA-R2161-30](#) [FLA-R0161-30](#) [FLA-R0141-30](#) [FLA-R0142-30](#) [FLA-R0162-30](#) [FLA-C00-](#)
[00](#) [DGA00010553](#) [CNXV04NTP](#) [104128-0610](#) [503485-0000 \(Cut Strip\)](#) [503485-0000 \(Loose Piece\)](#) [503485-0000 \(MINI Reel\)](#) [1-2834074-2](#)
[1-2834074-3](#) [1357-AC PLUG W2C \(CHINA\)](#) [1357-AC PLUG W2 \(USA\)](#) [104266-0110](#) [CNXV02NTP](#) [2106212-1](#) [2-2834074-2](#) [104266-](#)
[0210](#) [293470-1](#) [293651-2](#) [293651-4](#) [1-2834006-2](#) [293651-1](#)