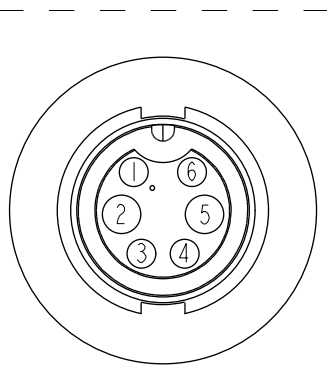
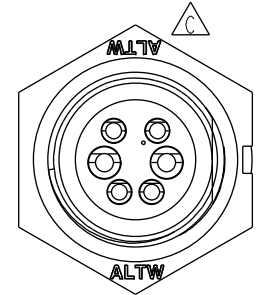
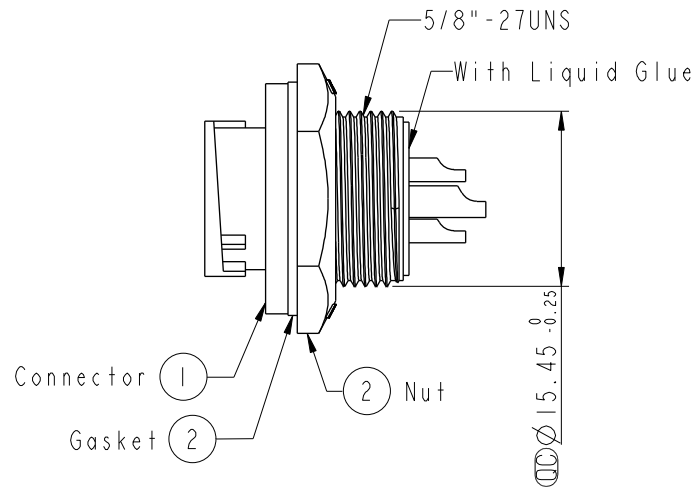
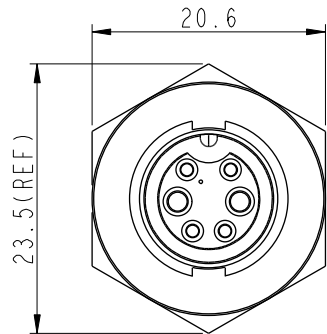
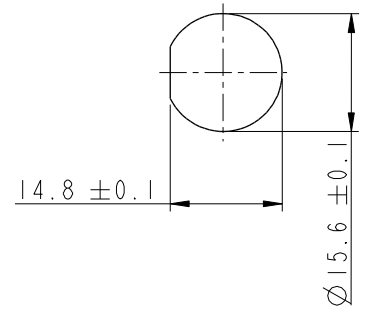


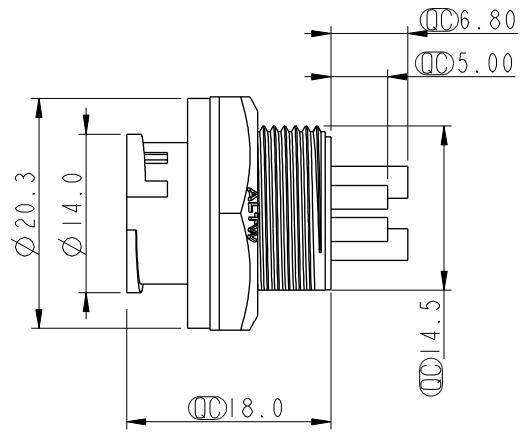
REV.	ECN NO.	DATE	SIGN	DESCRIPTION
B	LEN-8B0577	2008/09/10	Shin	Add Note
C	CI90274	2019/02/20	Ruru	Modify Note & Change Logo



Pin Assignments  
Front View



Recommended Panel Cut-Out



- Note:  $\triangle C$
- \*  $\text{⌀}$  Important Dimension To Check.
  - \* Waterproof Rate: IP67, Unmated
  - \* Housing: Thermoplastic, Black
  - \* Pin: Copper Alloy, Gold Plated
  - \* Nut: Thermoplastic, Black
  - \* Gasket: Rubber, Black
  - $\triangle B$ \* Use with waterproof cap or dust cap  
Panel Thickness Max: 4.0mm
  - $\triangle A$ \* Use without waterproof cap or dust cap  
Panel Thickness Max: 5.0mm
  - \* Gasket and Nut are packed separately in PE bags.

UNIT:mm	TITLE Standard, Rear Lock 6P M Conn F Pin			ITEM NO BBD-06RMFS-LC7001		DRAWN BY Ruru		DATE 2019-02-20	
	SCALE 1:1			DWG NO BBD-06RMFS-LC7001		CHECKED BY Rita		DATE 2019-02-20	
	REV. C			CUSTOMER ALTW		APPROVED BY Max		DATE 2019-02-20	
	TOLERANCE .X ±0.25 .XX ±0.1 .XXX ±0.05 ANGLES ±1°			SHEET 1 OF 1		DATE		DATE	
WC-REV. A.3			SHEET 1 OF 1		DATE		DATE		
QC: Inspection item			DATE		DATE		DATE		

**Amphenol LTW**  
安費諾亮泰企業股份有限公司

THIS DOCUMENT IS SUBJECT TO CHANGE WITHOUT NOTICE. IT IS CONFIDENTIAL AND A PROPERTY OF Amphenol LTW. DISCLOSURE TO THIRD PARTY HAS TO BE AUTHORIZED BY Amphenol LTW.

## X-ON Electronics

Largest Supplier of Electrical and Electronic Components

*Click to view similar products for [Standard Circular Connector](#) category:*

*Click to view products by [Amphenol](#) manufacturer:*

Other Similar products are found below :

[5M2530B10P](#) [600259N006](#) [600273N007](#) [6134-336-13149](#) [6134-337-11149](#) [6134-337-2390](#) [6134-341-17149](#) [6280-4SG-516](#) [6280-7SG-3DC](#)  
[6290](#) [6291A](#) [66200A-10](#) [680-SMG](#) [681-PMG](#) [CXS3102A14S2P](#) [CXS3102A181S](#) [7251-6SG-300](#) [7271-6SG-300](#) [7282-3PG-300-CH3](#) [75-](#)  
[474014-05S](#) [75-474618-01S](#) [75-474618-04P](#) [75-474618-04S](#) [799539-000](#) [MI8-SE](#) [805-005-07NF11-19PC](#) [805-005-07NF15-7PA](#) [8280-4PG-](#)  
[516](#) [8280-7PG-519](#) [8282-5PG-519](#) [836783-1](#) [MP-4102-25P-C](#) [862256-1](#) [864019-2](#) [866857-1](#) [867865-1](#) [PT01SP-14-18P](#) [PT08P-14-5S](#)  
[PTSF06SE-14-12S](#) [120-1833-000](#) [QCM019PC2DC012B](#) [1-2069279-1](#) [121583-0217](#) [121667-0020](#) [129591AU](#) [1000B BULK](#) [RD10A16-19-](#)  
[P6CS051/1](#) [RD10A20-31-P8CS051/1](#) [RD16A14-12-S6CS051/2](#) [1301240290](#) [1301240347](#)