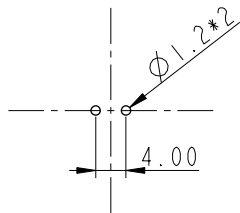
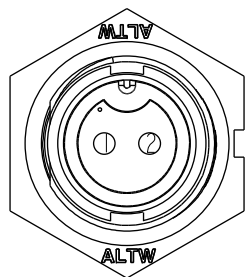
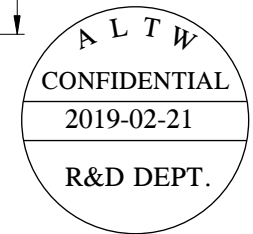
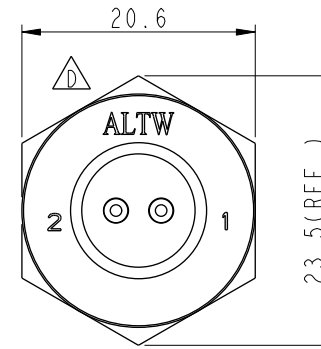
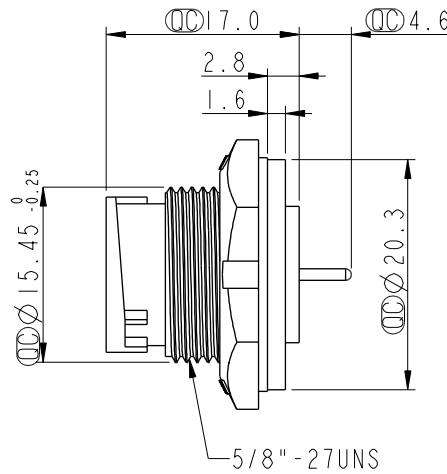
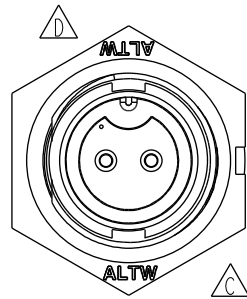


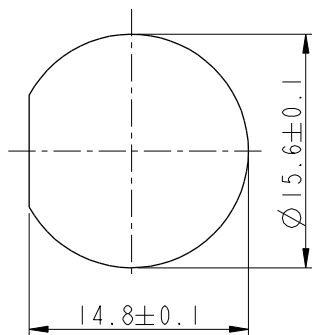
| REV. | ECN NO. | DATE | SIGN | DESCRIPTION |
|------|------------|------------|-------|--------------------|
| C | LE3-8C0071 | 2008/11/07 | Tommy | Change to pin hole |
| D | LEN1730294 | 2017/03/20 | Ruru | Change Logo |
| E | CI90274 | 2019/02/21 | Ruru | Modify Note |



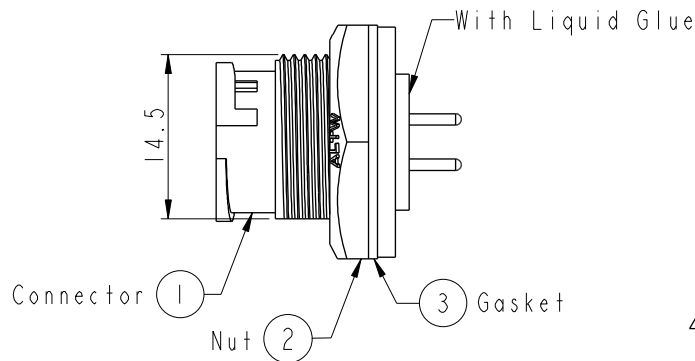
2Pin Male Connector
Female Pin PCB Layout



Pin Assignments
Front View



Recommended Panel Cut-Out



Note: \triangle

- * CC Important Dimensions To Check.
- * Waterproof Rate: IP67, Unmated
- * Housing: Thermoplastic, Black
- * Pin: Copper Alloy, Gold Plated
- * Nut: Thermoplastic, Black
- * Gasket: Rubber, Black
- \triangle * Use with Waterproof Cap or Dustcap
Panel Thickness Max: 3.0mm
- \triangle * Use without Waterproof Cap or Dustcap
Panel Thickness Max: 4.0mm
- * Gasket and Nut are packed separately in PE bags.

| | | | | | | | |
|---|--|---|----------------|-------------------------------|-----------------------------|--------------------|--------------------|
| UNIT:mm | | TITLE Standard Panel Lock 2Pin M Conn F Pin | | | ITEM NO BD-02PMFP-LC7001 | DRAWN BY Ruru | DATE 2019-02-21 |
| | | SCALE 1:1 | SIZE A4 | SHEET 1 OF 1 | DWG NO BD-02PMFP-LC7001 | CHECKED BY Rita | DATE 2019-02-21 |
| TOLERANCE .X ±0.25 .XX ±0.1 .XXX ±0.05 ANGLES ±1° | | REV. E | WC-REV. A.3 | CC : Inspection item | CUSTOMER ALTW | APPROVED BY Max | DATE 2019-02-21 |

Amphenol LTW
安費諾亮泰企業股份有限公司

THIS DOCUMENT IS SUBJECT TO CHANGE WITHOUT NOTICE. IT IS CONFIDENTIAL AND A PROPERTY OF AMPHENOL LTW. DISCLOSURE TO THIRD PARTY HAS TO BE AUTHORIZED BY AMPHENOL LTW.

X-ON Electronics

Largest Supplier of Electrical and Electronic Components

Click to view similar products for [Standard Circular Connector](#) category:

Click to view products by [Amphenol](#) manufacturer:

Other Similar products are found below :

[5M2530B10P](#) [600259N006](#) [600273N007](#) [6134-336-13149](#) [6134-337-11149](#) [6134-337-2390](#) [6134-341-17149](#) [6280-4SG-516](#) [6280-7SG-3DC](#)
[6290](#) [6291A](#) [66200A-10](#) [680-SMG](#) [681-PMG](#) [CXS3102A14S2P](#) [CXS3102A181S](#) [7251-6SG-300](#) [7271-6SG-300](#) [7282-3PG-300-CH3](#) [75-](#)
[474014-05S](#) [75-474618-01S](#) [75-474618-04S](#) [799539-000](#) [MI8-SE](#) [805-005-07NF11-19PC](#) [805-005-07NF15-7PA](#) [8280-4PG-516](#) [8280-7PG-](#)
[519](#) [8282-5PG-519](#) [836783-1](#) [MP-4102-25P-C](#) [862256-1](#) [864019-2](#) [866857-1](#) [867865-1](#) [PT01SP-14-18P](#) [PT08P-14-5S](#) [PTSF06SE-14-12S](#)
[120-1833-000](#) [QCM019PC2DC012B](#) [1-2069279-1](#) [121583-0217](#) [121667-0020](#) [129591AU](#) [1000B BULK](#) [RD10A16-19-P6CS051/1](#)
[RD10A20-31-P8CS051/1](#) [RD16A14-12-S6CS051/2](#) [1301240290](#) [1301240347](#) [1301860202](#)