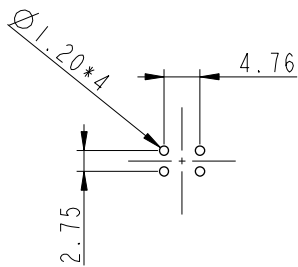
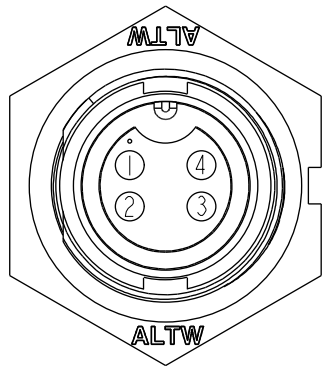
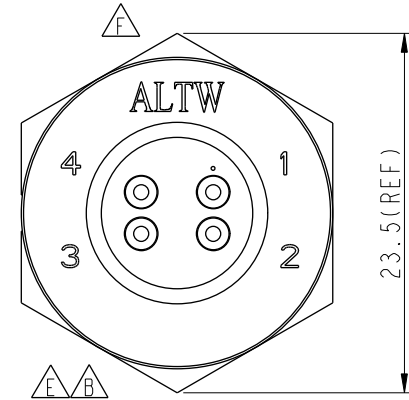
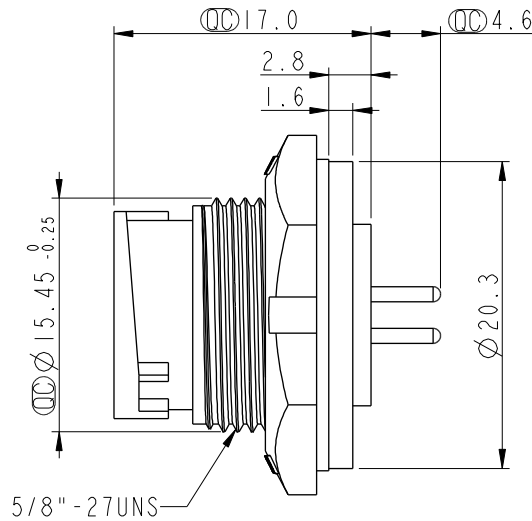
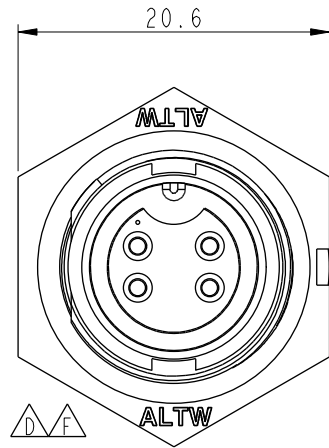


ALTW
 CONFIDENTIAL
 2019-02-22
 R&D DEPT.

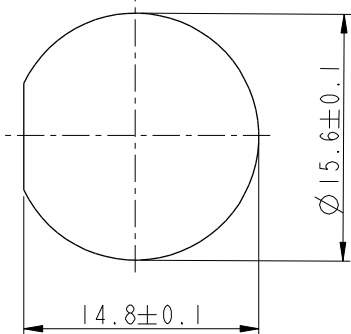
REV.	ECN NO.	DATE	SIGN	DESCRIPTION
E	LEN-010133	2010/01/21	Li Xiu Zhi	Change View
F	LEN1660742	2016/06/06	Ruru	Change Logo
G	CI90273	2019/02/22	Ruru	Modify Note



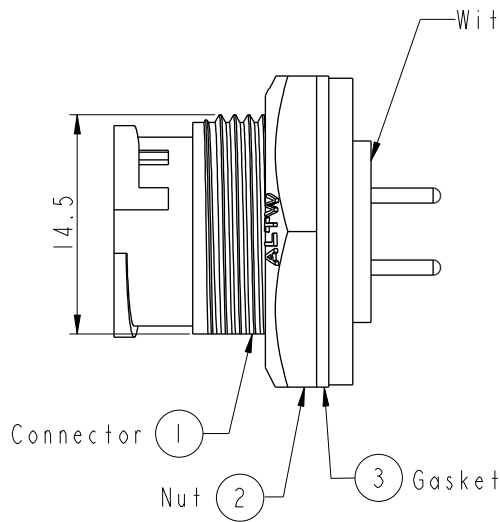
4Pin Male Connector
 Female Pin PCB Layout



Pin Assignments
 Front View



Recommended Panel Cut-out



- Note: $\triangle G$
- * CC Important Dimension To Check.
 - * Waterproof Rate: IP67, Unmated
 - * Housing: Thermoplastic, Black
 - * Pin: Copper Alloy, Gold Plated
 - * Nut: Thermoplastic, Black
 - * Gasket: Rubber, Black
 - $\triangle C$ * Use With Waterproof Cap Or Dust Cap
 Panel Thickness Max: 3.0mm
 - $\triangle C$ * Use Without Waterproof Cap Or Dust Cap
 Panel Thickness Max: 4.5mm
 - * Gasket and Nut are packed separately
 in PE bags.

UNIT: mm		
TOLERANCE		
.X	±0.25	
.XX	±0.1	
.XXX	±0.05	
ANGLES	±1°	

TITLE Standard Panel Lock 4Pin M Conn F Pin			
SCALE 2:1	SIZE A4	SHEET 1 OF 1	
REV. G	WC-REV. A.3	CC : Inspection item	

Amphenol LTW
 安費諾亮泰企業股份有限公司

ITEM NO. BD-04PMFP-LC7001	DRAWN BY Ruru	DATE 2019-02-22
DWG NO. BD-04PMFP-LC7001	CHECKED BY Rita	DATE 2019-02-22
CUSTOMER ALTW	APPROVED BY Max	DATE 2019-02-22

THIS DOCUMENT IS SUBJECT TO CHANGE WITHOUT NOTICE. IT IS CONFIDENTIAL AND A PROPERTY OF Amphenol LTW. DISCLOSURE TO THIRD PARTY HAS TO BE AUTHORIZED BY Amphenol LTW.

X-ON Electronics

Largest Supplier of Electrical and Electronic Components

Click to view similar products for [Standard Circular Connector](#) category:

Click to view products by [Amphenol](#) manufacturer:

Other Similar products are found below :

[5M2530B10P](#) [600259N006](#) [600273N007](#) [6134-336-13149](#) [6134-337-11149](#) [6134-337-2390](#) [6134-341-17149](#) [6280-4SG-516](#) [6280-7SG-3DC](#)
[6290](#) [6291A](#) [66200A-10](#) [680-SMG](#) [681-PMG](#) [CXS3102A14S2P](#) [CXS3102A181S](#) [7251-6SG-300](#) [7271-6SG-300](#) [7282-3PG-300-CH3](#) [75-](#)
[474014-05S](#) [75-474618-01S](#) [75-474618-04P](#) [75-474618-04S](#) [799539-000](#) [MI8-SE](#) [805-005-07NF11-19PC](#) [805-005-07NF15-7PA](#) [8280-4PG-](#)
[516](#) [8280-7PG-519](#) [8282-5PG-519](#) [836783-1](#) [MP-4102-25P-C](#) [862256-1](#) [864019-2](#) [866857-1](#) [867865-1](#) [PT01SP-14-18P](#) [PT08P-14-5S](#)
[PTSF06SE-14-12S](#) [120-1833-000](#) [QCM019PC2DC012B](#) [1-2069279-1](#) [121583-0217](#) [121667-0020](#) [129591AU](#) [1000B BULK](#) [RD10A16-19-](#)
[P6CS051/1](#) [RD10A20-31-P8CS051/1](#) [RD16A14-12-S6CS051/2](#) [1301240290](#) [1301240347](#)