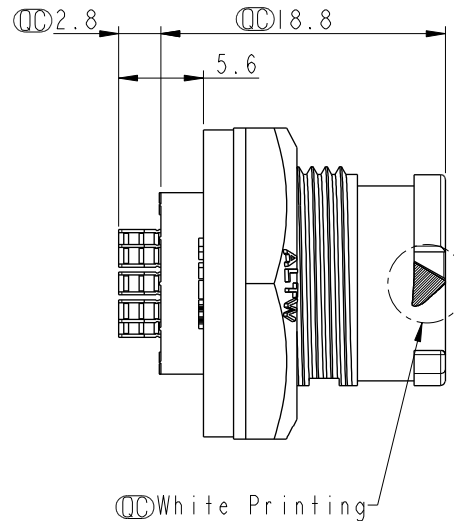
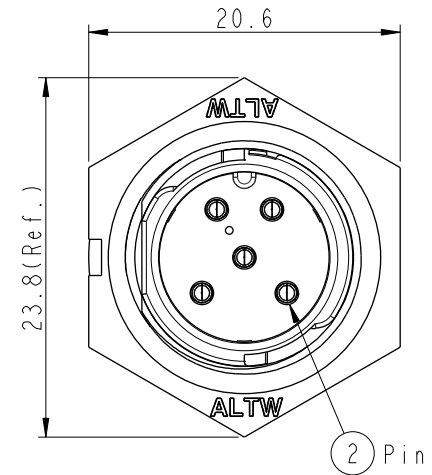
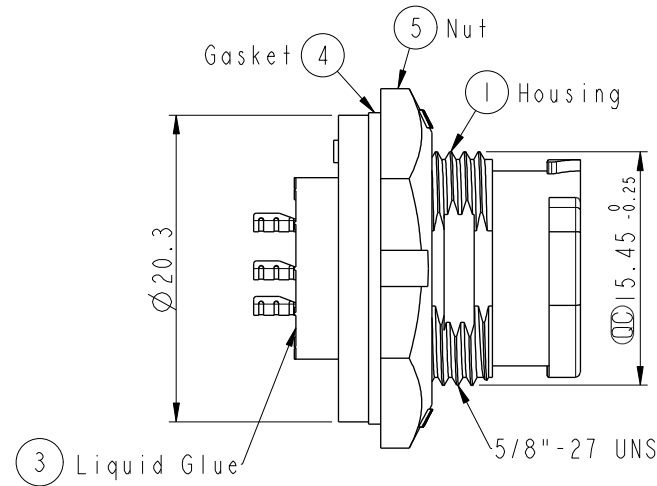
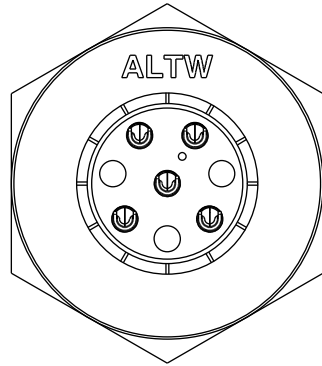


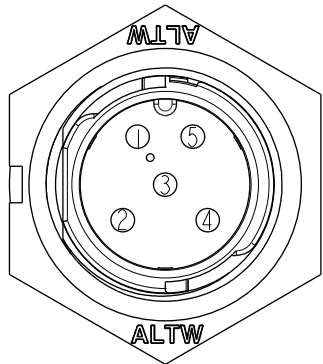
ALTW
CONFIDENTIAL
2019-03-19
R&D DEPT.

REV.	ECN NO.	DATE	SIGN	DESCRIPTION
B	CI90411	2019/03/19	Vicky	Change Note

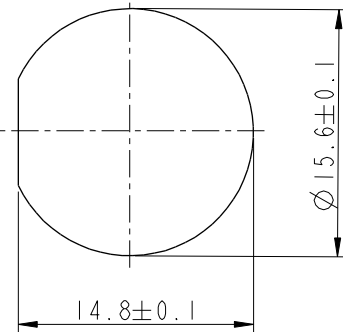


Note:

- * \varnothing Important Dimension To Check.
- * Waterproof Rate: IP68, Unmated. In 1 meter water within 24 hours
- * Housing: Thermoplastic, Black.
- * Pin: Copper Alloy, Gold Plated.
- * Nut: Thermoplastic, Black.
- * Gasket: Rubber, Gary.
- * Use Without Waterproof Cap
Panel Thickness Max: 4.0mm
- * Use With Waterproof Cap
Panel Thickness Max: 3.0mm
- * Gasket and Nut are packed separately in PE bags.

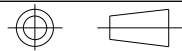


Pin Assignments
Front View



Recommended Panel Cut-out

UNIT:mm



TOLERANCE
X ±0.25

TITLE
X Lok B-Size Receptacle
Front Fastened M Conn M 5 Pin

SCALE 2:1	SIZE A4	SHEET 1	OF 1
REV. B	WC-REV. A.4	\varnothing : Inspection item	

Amphenol LTW
安費諾亮泰企業股份有限公司

ITEM NO BD-05PMMS-QC8001	DRAWN BY Vicky	DATE 2019-03-19
DWG NO BD-05PMMS-QC8001	CHECKED BY Rita	DATE 2019-03-19
CUSTOMER ALTW	APPROVED BY Max	DATE 2019-03-19

THIS DOCUMENT IS SUBJECT TO CHANGE WITHOUT NOTICE. IT IS CONFIDENTIAL AND A PROPERTY OF Amphenol LTW. DISCLOSURE TO THIRD PARTY HAS TO BE AUTHORIZED BY Amphenol LTW.

X-ON Electronics

Largest Supplier of Electrical and Electronic Components

Click to view similar products for [Sensor Cables / Actuator Cables](#) category:

Click to view products by [Amphenol](#) manufacturer:

Other Similar products are found below :

[60963](#) [60964](#) [M83513/19-F01CP](#) [703000D02F2002](#) [703001D02F0602](#) [703001D02F300](#) [704000D02F120](#) [773032K02F030](#) [802027107404-1](#)
[802027213811-1](#) [804001A09M150](#) [805001A09M0502](#) [84914-0235](#) [84914-0237](#) [885030A09M020](#) [8R4J30E03C3003](#) [1200651332](#)
[1200651713](#) [1200660844](#) [1200660845](#) [1200661173](#) [1200680071](#) [1200720053](#) [1200720081](#) [1200720099](#) [1200720217](#) [1200800231](#)
[1200860125](#) [1200870123](#) [1200980102](#) [1200650267](#) [1200650298](#) [1200660183](#) [1200660782](#) [1200660849](#) [1200661295](#) [1200661297](#)
[1200661342](#) [1200661343](#) [1200670080](#) [1200670220](#) [1200680331](#) [1200720252](#) [1200730184](#) [1200860344](#) [1200870359](#) [1200870643](#)
[1200980008](#) [1200980031](#) [1210502211](#)