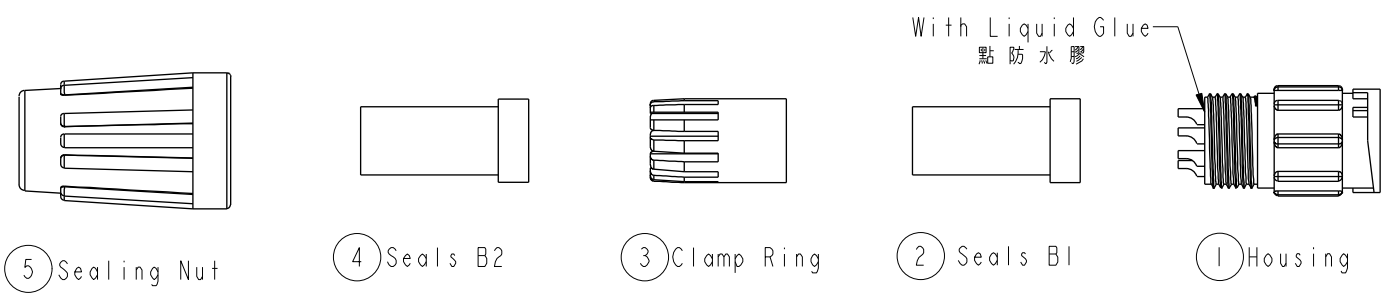


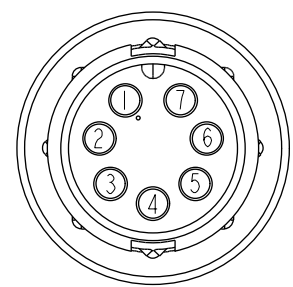
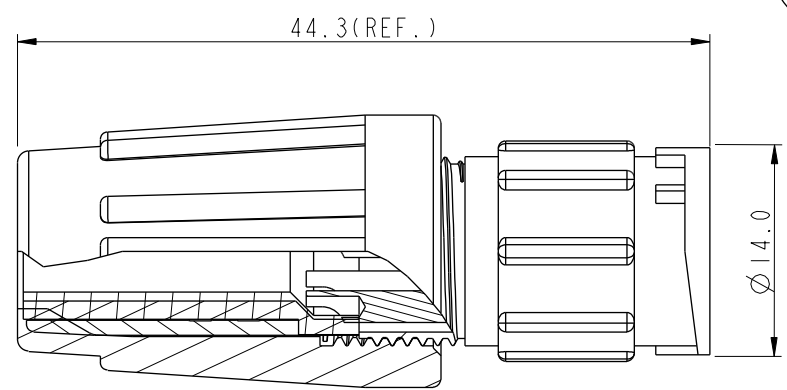
THIS DOCUMENT IS SUBJECT TO CHANGE WITHOUT NOTICE. IT IS CONFIDENTIAL AND A PROPERTY OF AMPHENOL LTW. DISCLOSURE TO THIRD PARTY HAS TO BE AUTHORIZED BY AMPHENOL LTW.

REV.	ECN NO.	DATE	SIGN	DESCRIPTION



ALTW  
DCC. DEPT.  
CONFIDENTIAL  
2012-04-05  
ISSUED

ALTW  
CONFIDENTIAL  
2012-03-27  
R&D DEPT.



Pin Assignments  
Front View 前視圖

- Note:
- \* Seals B1 for Cable OD:  $\varnothing 4.5\text{mm} \sim \varnothing 6.5\text{mm}$   
(防水墊圈B1線徑:  $\varnothing 4.5\text{mm} \sim \varnothing 6.5\text{mm}$ )
  - \* Seals B2 for Cable OD:  $\varnothing 3.5\text{mm} \sim \varnothing 5.3\text{mm}$   
(防水墊圈B2線徑:  $\varnothing 3.5\text{mm} \sim \varnothing 5.3\text{mm}$ )
  - \* One Set Unassembled in One PE Bag  
(每一組未組裝, 放置於一個PE袋, 並封口)
  - \*  $\text{QC}$  Important Dimension.
  - \* Waterproof Rate : IP66
  - \* Housing: Black, Nylon+GF
  - \* Pin: Copper Alloy, Gold Plated
  - \* Seals: Black, EPDM
  - \* Clamping Ring: Black, Nylon
  - \* Sealing Nut: Black, Nylon
  - \* PE Bag: 90mm\*85mm
  - \* Liquid Glue: Clear

UNIT: mm  TOLERANCE .X $\pm 0.25$ .XX $\pm 0.1$ .XXX $\pm 0.05$ ANGLES $\pm 1^\circ$	 TITLE Standard, Assy Lock 7Pin M Conn M Pin	<b>Amphenol LTW</b> 安費諾亮泰企業股份有限公司		ITEM NO. BD-07BMMA-LL6001	DRAWN BY SamChang	DATE 2012-03-27	
		SCALE 1:1	SIZE A4	SHEET 1 OF 1	DWG NO. BD-07BMMA-LL6001	CHECKED BY Jeffrey	DATE 2012-04-05
		REV. A	WC-REV. A.2	: Inspection item	CUSTOMER ALTW	APPROVED BY Lion	DATE 2012-04-05

## X-ON Electronics

Largest Supplier of Electrical and Electronic Components

*Click to view similar products for [Standard Circular Connector](#) category:*

*Click to view products by [Amphenol](#) manufacturer:*

Other Similar products are found below :

[5M2530B10P](#) [600259N006](#) [600273N007](#) [6134-336-13149](#) [6134-337-11149](#) [6134-337-2390](#) [6134-341-17149](#) [6280-4SG-516](#) [6280-7SG-3DC](#)  
[6290](#) [6291A](#) [66200A-10](#) [680-SMG](#) [681-PMG](#) [CXS3102A14S2P](#) [CXS3102A181S](#) [7251-6SG-300](#) [7271-6SG-300](#) [7282-3PG-300-CH3](#) [75-](#)  
[474014-05S](#) [75-474618-01S](#) [75-474618-04P](#) [75-474618-04S](#) [799539-000](#) [MI8-SE](#) [805-005-07NF11-19PC](#) [805-005-07NF15-7PA](#) [8280-4PG-](#)  
[516](#) [8280-7PG-519](#) [8282-5PG-519](#) [836783-1](#) [MP-4102-25P-C](#) [862256-1](#) [864019-2](#) [866857-1](#) [867865-1](#) [PT01SP-14-18P](#) [PT08P-14-5S](#)  
[PTSF06SE-14-12S](#) [120-1833-000](#) [QCM019PC2DC012B](#) [1-2069279-1](#) [121583-0217](#) [121667-0020](#) [129591AU](#) [1000B BULK](#) [RD10A16-19-](#)  
[P6CS051/1](#) [RD10A20-31-P8CS051/1](#) [RD16A14-12-S6CS051/2](#) [1301240290](#) [1301240347](#)