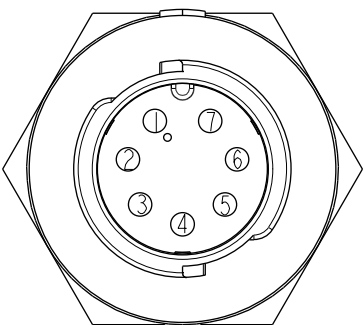
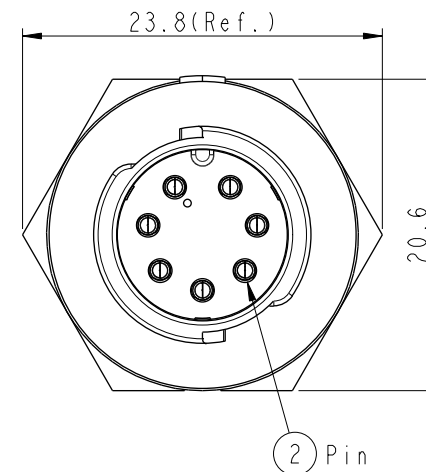
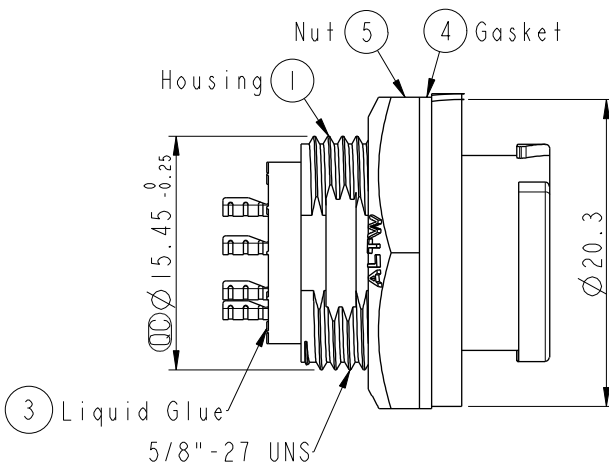
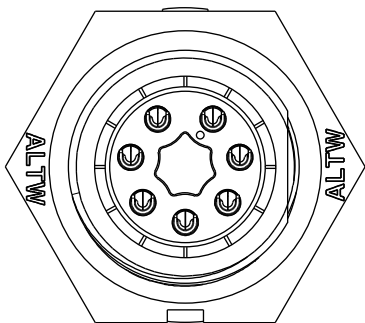
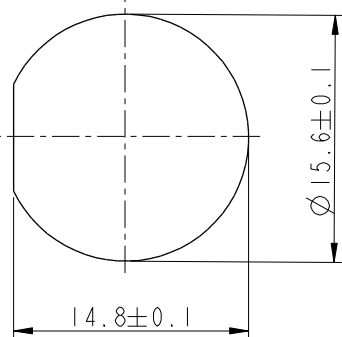


ALTW
 CONFIDENTIAL
 2019-03-19
 R&D DEPT.

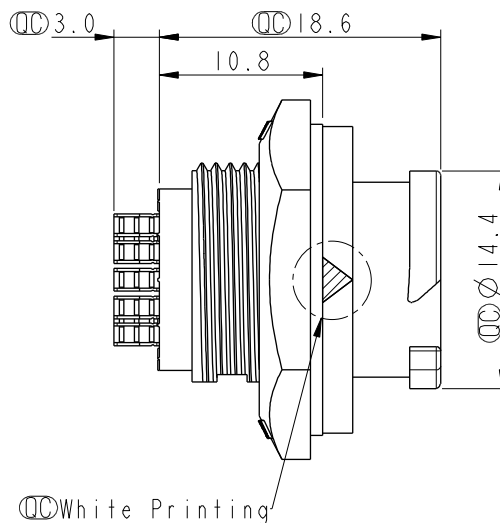
| REV. | ECN NO. | DATE | SIGN | DESCRIPTION |
|------|------------|------------|------------|------------------------|
| B | LEN1770139 | 2017/07/08 | Frank Deng | Change Color of Gasket |
| C | CI90411 | 2019/03/19 | Vicky | Change Note |



Pin Assignments
 Front View

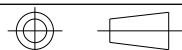


Recommended Panel Cut-out



- Note:
- * CC Important Dimension To Check.
 - * Waterproof Rate: IP68, Unmated. In 1 meter water within 24 hours
 - * Housing: Thermoplastic, Black.
 - * Pin: Copper Alloy, Gold Plated.
 - * Nut: Thermoplastic, Black.
 - * Gasket: Rubber, Gray.
 - * Panel Thickness Max: 4.5mm
 - * Gasket and Nut are packed separately in PE bags.

UNIT:mm



| | | | |
|--|----------------|-------------------------------|--|
| TITLE X Lok B-Size Receptacle M Conn M 7 Pin | | | |
| SCALE 2:1 | SIZE A4 | SHEET 1 OF 1 | |
| REV. C | WC-REV. A.3 | CC : Inspection item | |

Amphenol LTW
 安費諾亮泰企業股份有限公司

| | | |
|-----------------------------|--------------------|--------------------|
| ITEM NO BD-07RMMS-QC8001 | DRAWN BY Vicky | DATE 2019-03-19 |
| DWG NO BD-07RMMS-QC8001 | CHECKED BY Rita | DATE 2019-03-19 |
| CUSTOMER ALTW | APPROVED BY Max | DATE 2019-03-19 |

THIS DOCUMENT IS SUBJECT TO CHANGE WITHOUT NOTICE. IT IS CONFIDENTIAL AND A PROPERTY OF Amphenol LTW. DISCLOSURE TO THIRD PARTY HAS TO BE AUTHORIZED BY Amphenol LTW.

X-ON Electronics

Largest Supplier of Electrical and Electronic Components

Click to view similar products for [Sensor Cables / Actuator Cables](#) category:

Click to view products by [Amphenol](#) manufacturer:

Other Similar products are found below :

[60963](#) [60964](#) [703000D02F2002](#) [703001D02F0602](#) [703001D02F300](#) [704000D02F120](#) [773032K02F030](#) [802027107404-1](#) [802027213811-1](#)
[804001A09M150](#) [805001A09M0502](#) [84914-0235](#) [84914-0237](#) [885030A09M020](#) [8R4J30E03C3003](#) [1200651332](#) [1200651713](#) [1200660844](#)
[1200660845](#) [1200661173](#) [1200680071](#) [1200720053](#) [1200720081](#) [1200720099](#) [1200720217](#) [1200800231](#) [1200860125](#) [1200870123](#)
[1200980102](#) [1200650267](#) [1200650298](#) [1200660183](#) [1200660782](#) [1200660849](#) [1200661295](#) [1200661297](#) [1200661342](#) [1200661343](#)
[1200670080](#) [1200670220](#) [1200680331](#) [1200720252](#) [1200730184](#) [1200860344](#) [1200870359](#) [1200870643](#) [1200980008](#) [1200980031](#)
[1210502211](#) [1210400542](#)