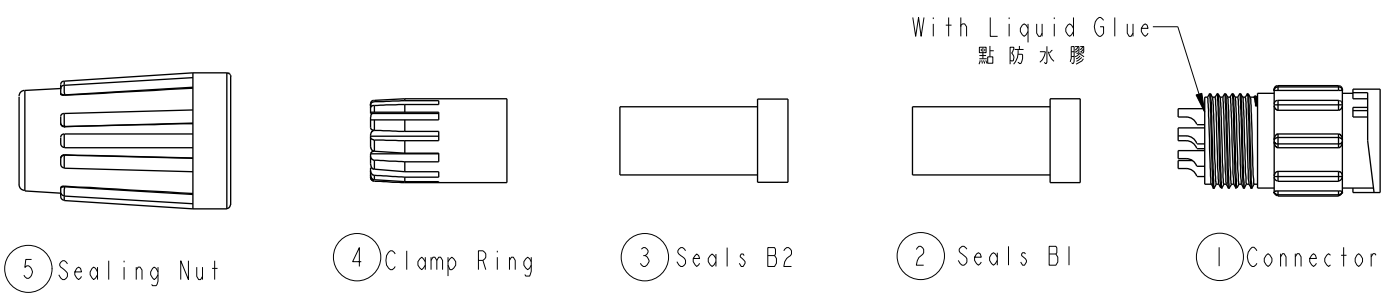


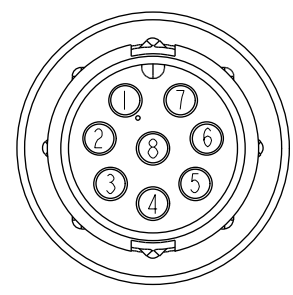
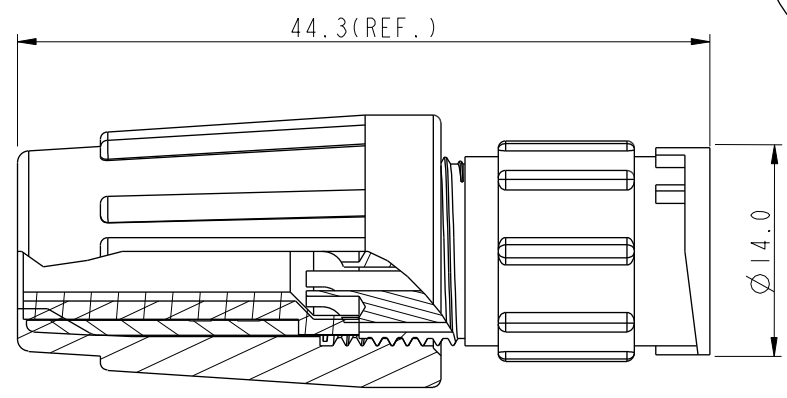
THIS DOCUMENT IS SUBJECT TO CHANGE WITHOUT NOTICE. IT IS CONFIDENTIAL AND A PROPERTY OF Amphenol LTW. DISCLOSURE TO THIRD PARTY HAS TO BE AUTHORIZED BY Amphenol LTW.

REV.	ECN NO.	DATE	SIGN	DESCRIPTION



ALTW
 DCC. DEPT.
 CONFIDENTIAL
 2012-04-06
ISSUED

ALTW
 CONFIDENTIAL
 2012-03-27
 R&D DEPT.



Pin Assignments
Front View 前視圖

- Note:
- * Seals B1 for Cable OD: $\varnothing 4.5\text{mm} \sim \varnothing 6.5\text{mm}$
(防水墊圈B1線徑: $\varnothing 4.5\text{mm} \sim \varnothing 6.5\text{mm}$)
 - * Seals B2 for Cable OD: $\varnothing 3.5\text{mm} \sim \varnothing 5.3\text{mm}$
(防水墊圈B2線徑: $\varnothing 3.5\text{mm} \sim \varnothing 5.3\text{mm}$)
 - * One Set Unassembled in One PE Bag
(每一組未組裝, 放置於一個PE袋, 並封口)
 - * CC Important Dimension.
 - * Waterproof Rate : IP66
 - * Housing: Black, Nylon+GF
 - * Male Pin: Copper Alloy, Gold Plated
 - * Seals: Black, EPDM
 - * Clamping Ring: Black, Nylon
 - * Sealing Nut: Black, Nylon
 - * PE Bag: 90mm*85mm
 - * Liquid Glue: Clear

UNIT: mm TOLERANCE .X ±0.25 .XX ±0.1 .XXX ±0.05 ANGLES ±1°		TITLE Standard, Assy Lock 8Pin M Conn M Pin		<h2 style="text-align: center;">Amphenol LTW</h2> <p style="text-align: center;">安費諾亮泰企業股份有限公司</p>		ITEM NO. BD-08BMMA-LL6001	DRAWN BY SamChang	DATE 2012-03-27	
		SCALE 1:1	SIZE A4			SHEET 1 OF 1	DWG NO. BD-08BMMA-LL6001	CHECKED BY Jeffrey	DATE 2012-04-06
		REV. A	WC-REV. A.2			CC : Inspection item	CUSTOMER ALTW	APPROVED BY Lion	DATE 2012-04-06

X-ON Electronics

Largest Supplier of Electrical and Electronic Components

Click to view similar products for [Standard Circular Connector](#) category:

Click to view products by [Amphenol](#) manufacturer:

Other Similar products are found below :

[5M2530B10P](#) [600259N006](#) [600273N007](#) [6134-336-13149](#) [6134-337-11149](#) [6134-337-2390](#) [6134-341-17149](#) [6280-4SG-516](#) [6280-7SG-3DC](#)
[6290](#) [6291A](#) [66200A-10](#) [680-SMG](#) [681-PMG](#) [CXS3102A14S2P](#) [CXS3102A181S](#) [7251-6SG-300](#) [7271-6SG-300](#) [7282-3PG-300-CH3](#) [75-](#)
[474014-05S](#) [75-474618-01S](#) [75-474618-04S](#) [799539-000](#) [MI8-SE](#) [805-005-07NF11-19PC](#) [805-005-07NF15-7PA](#) [8280-4PG-516](#) [8280-7PG-](#)
[519](#) [8282-5PG-519](#) [836783-1](#) [MP-4102-25P-C](#) [862256-1](#) [864019-2](#) [866857-1](#) [867865-1](#) [PT01SP-14-18P](#) [PT08P-14-5S](#) [PTSF06SE-14-12S](#)
[120-1833-000](#) [QCM019PC2DC012B](#) [1-2069279-1](#) [121583-0217](#) [121667-0020](#) [129591AU](#) [1000B BULK](#) [RD10A16-19-P6CS051/1](#)
[RD10A20-31-P8CS051/1](#) [RD16A14-12-S6CS051/2](#) [1301240290](#) [1301240347](#) [1301860202](#)