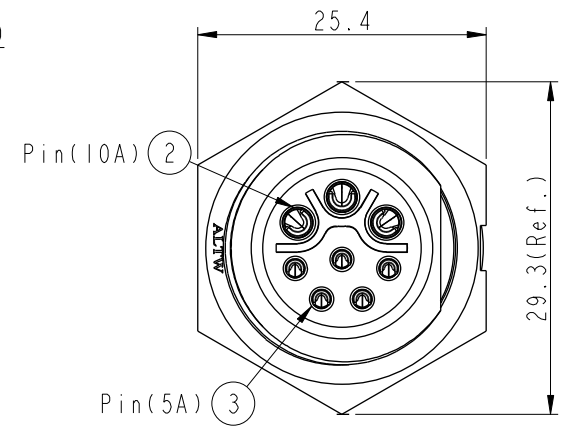
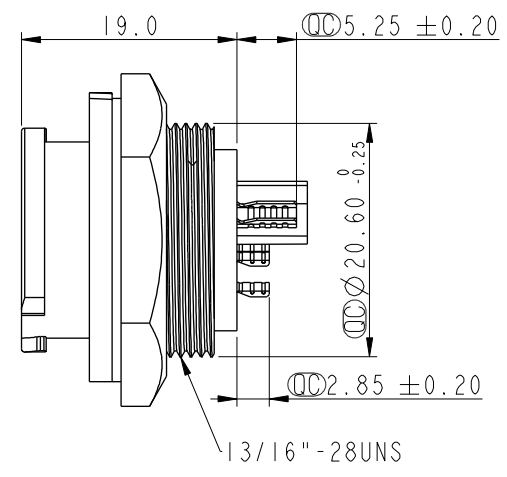
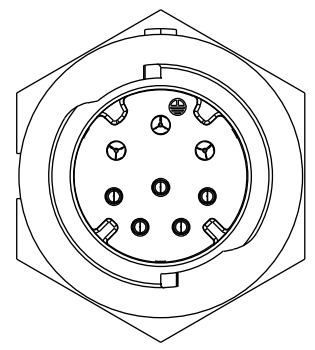


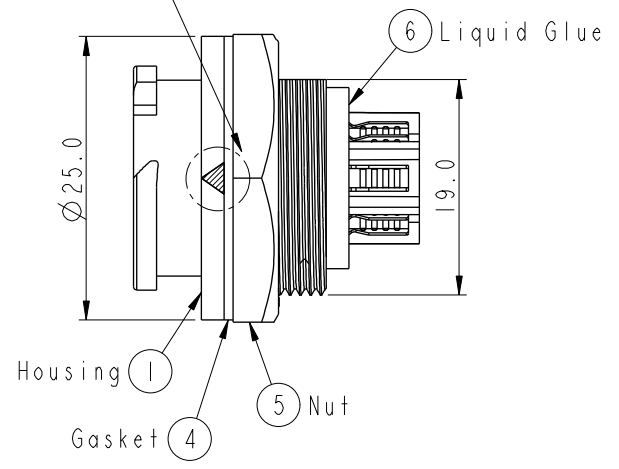
THIS DOCUMENT IS SUBJECT TO CHANGE WITHOUT NOTICE. IT IS CONFIDENTIAL AND A PROPERTY OF AMPHENOL LTW. DISCLOSURE TO THIRD PARTY HAS TO BE AUTHORIZED BY AMPHENOL LTW.

REV.	ECN NO.	DATE	SIGN	DESCRIPTION
A	Initial Release	2016/05/09	Spring	Change Rev.01 To Rev.A
B	CI90470	2019/03/20	Vicky	Change Note

**ALTW**  
**CONFIDENTIAL**  
 2019-03-20  
**R&D DEPT.**

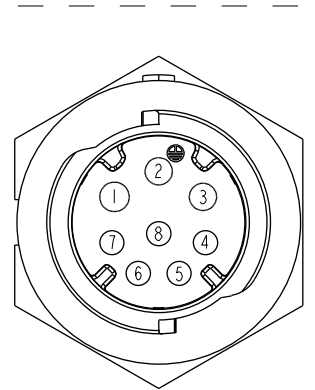


$\varnothing$  White Printing

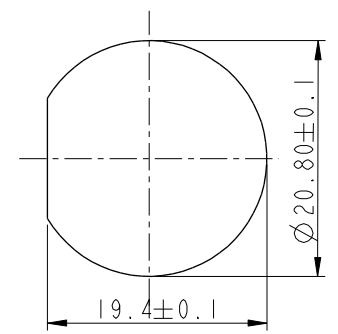


$\triangle B$  Note:

- \*  $\varnothing$  Important Dimension To Check.
- \* Waterproof Rate: IP68, Unmated.  
In 1 meter water within 24 hours
- \* Housing: Thermoplastic, Black.
- \* Pin: Copper Alloy, Gold Plated.
- \* Nut: Thermoplastic, Black.
- \* Gasket: Rubber, Gray.
- \* Panel Thickness Max: 4.2mm
- \* Gasket and Nut are packed separately in PE bags.



Pin Assignments  
Front View



Recommended Panel Cut-Out

UNIT:mm		
TOLERANCE		
.X	$\pm 0.25$	
.XX	$\pm 0.1$	
.XXX	$\pm 0.05$	
ANGLES	$\pm 1^\circ$	

TITLE X-Lok C Size Receptacle(Hybrid) Rear 3 Male Pin+5 Male Pin			
SCALE 3:2	SIZE A4	SHEET 1 OF 1	
REV. B	WC-REV. A.2	$\varnothing$ Inspection item	

**Amphenol LTW**  
**安費諾亮泰企業股份有限公司**

ITEM NO CBD-08RMMS-QC8001	DRAWN BY Vicky	DATE 2019-03-20
DWG NO CBD-08RMMS-QC8001	CHECKED BY Rita	DATE 2019-03-20
CUSTOMER ALTW	APPROVED BY Max	DATE 2019-03-20

## X-ON Electronics

Largest Supplier of Electrical and Electronic Components

*Click to view similar products for [Sensor Cables / Actuator Cables](#) category:*

*Click to view products by [Amphenol](#) manufacturer:*

Other Similar products are found below :

[60963](#) [60964](#) [M83513/19-F01CP](#) [703000D02F2002](#) [703001D02F0602](#) [703001D02F300](#) [704000D02F120](#) [773032K02F030](#) [802027107404-1](#)  
[802027213811-1](#) [804001A09M150](#) [805001A09M0502](#) [84914-0235](#) [84914-0237](#) [885030A09M020](#) [8R4J30E03C3003](#) [1200651332](#)  
[1200651713](#) [1200660844](#) [1200660845](#) [1200661173](#) [1200680071](#) [1200720053](#) [1200720081](#) [1200720099](#) [1200720217](#) [1200800231](#)  
[1200860125](#) [1200870123](#) [1200980102](#) [1200650267](#) [1200650298](#) [1200660183](#) [1200660782](#) [1200660849](#) [1200661295](#) [1200661297](#)  
[1200661342](#) [1200661343](#) [1200670080](#) [1200670220](#) [1200680331](#) [1200720252](#) [1200730184](#) [1200860344](#) [1200870359](#) [1200870643](#)  
[1200980008](#) [1200980031](#) [1210502211](#)