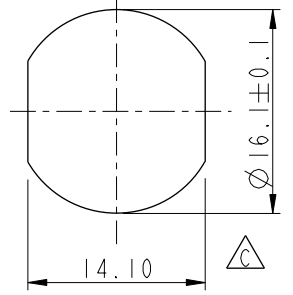
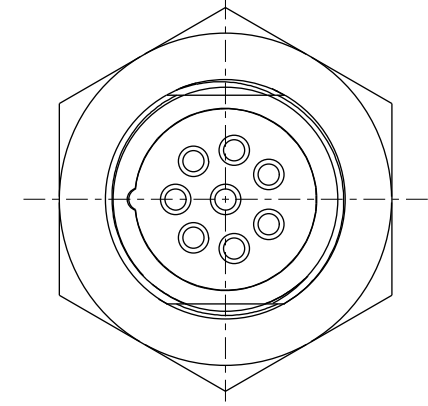
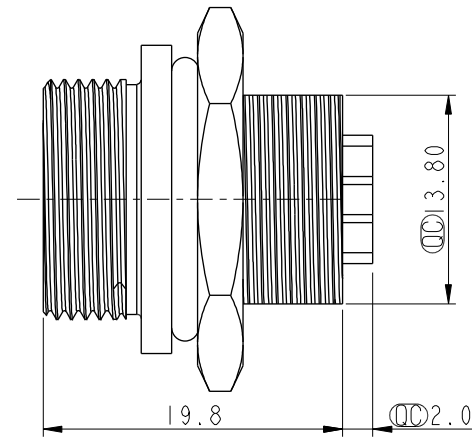
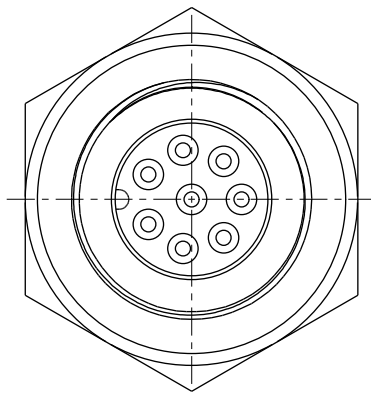


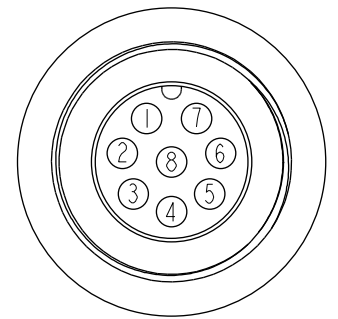
THIS DOCUMENT IS SUBJECT TO CHANGE WITHOUT NOTICE. IT IS CONFIDENTIAL AND A PROPERTY OF Amphenol LTW. DISCLOSURE TO THIRD PARTY HAS TO BE AUTHORIZED BY Amphenol LTW.

| REV. | ECN NO. | DATE | SIGN | DESCRIPTION |
|------|------------|------------|-------|--------------------------|
| B | LEN17C0080 | 2017-11-22 | Brady | Change Liquid Glue Color |
| C | LEN1830025 | 2018-02-28 | Wen | Correct Panel Cut |
| D | CI90269 | 2019/03/06 | Ruru | Modify Note |

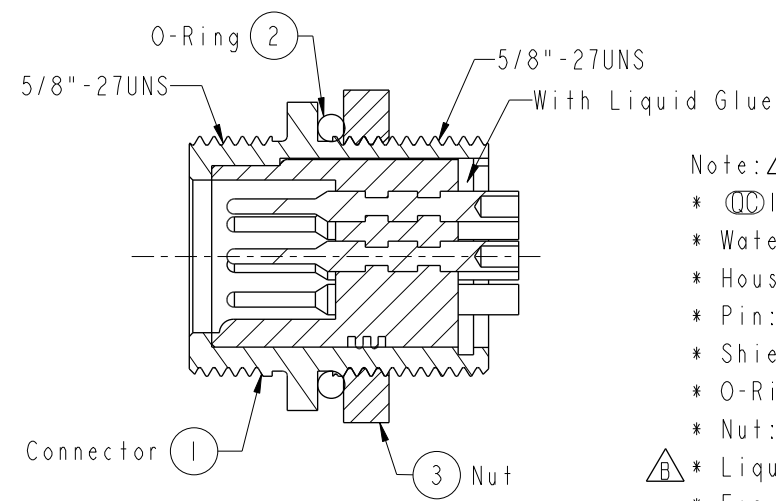
ALTW
CONFIDENTIAL
 2019-03-06
R&D DEPT.



Recommended Panel Cut-Out



Pin Assignments
Front View 前視圖



- Note: \triangle
- * ⌀ Important Dimension
 - * Waterproof Rate: IP67, Unmated
 - * Housing: Thermoplastic, Black
 - * Pin: Copper Alloy, Gold Plated
 - * Shielded: Metal, Nickel Plated
 - * O-Ring: Rubber, Black
 - * Nut: Metal, Nickel Plated
 - * \triangle Liquid Glue: Transparent
 - * For Panel Thickness Max 7.0mm
 - * Nut are packed separately in PE bags.

| | | |
|-----------|------------|--|
| UNIT:mm | | |
| TOLERANCE | .X ±0.25 | |
| | .XX ±0.1 | |
| | .XXX ±0.05 | |
| ANGLES | ±1° | |

| | | | |
|--|----------------|------------------------------|--|
| TITLE Circular, Panel Screw 8Pin Male Connector Male Pin(5A) | | | |
| SCALE 2:1 | SIZE A4 | SHEET 1 OF 1 | |
| REV. D | WC-REV. A.2 | ⌀ : Inspection item | |

Amphenol LTW
安費諾亮泰企業股份有限公司

| | | |
|------------------------------|--------------------|--------------------|
| ITEM NO BSD-08RMMS-SC7001 | DRAWN BY Ruru | DATE 2019-03-06 |
| DWG NO BSD-08RMMS-SC7001 | CHECKED BY Rita | DATE 2019-03-06 |
| CUSTOMER ALTW | APPROVED BY Max | DATE 2019-03-06 |

X-ON Electronics

Largest Supplier of Electrical and Electronic Components

Click to view similar products for [Standard Circular Connector](#) category:

Click to view products by [Amphenol](#) manufacturer:

Other Similar products are found below :

[5M2530B10P](#) [600259N006](#) [600273N007](#) [6134-336-13149](#) [6134-337-11149](#) [6134-337-2390](#) [6134-341-17149](#) [6280-4SG-516](#) [6280-7SG-3DC](#)
[6290](#) [6291A](#) [66200A-10](#) [680-SMG](#) [681-PMG](#) [CXS3102A14S2P](#) [CXS3102A181S](#) [7251-6SG-300](#) [7271-6SG-300](#) [7282-3PG-300-CH3](#) [75-](#)
[474014-05S](#) [75-474618-01S](#) [75-474618-04S](#) [799539-000](#) [MI8-SE](#) [805-005-07NF11-19PC](#) [805-005-07NF15-7PA](#) [8280-4PG-516](#) [8280-7PG-](#)
[519](#) [8282-5PG-519](#) [836783-1](#) [MP-4102-25P-C](#) [862256-1](#) [864019-2](#) [866857-1](#) [867865-1](#) [PT01SP-14-18P](#) [PT08P-14-5S](#) [PTSF06SE-14-12S](#)
[120-1833-000](#) [QCM019PC2DC012B](#) [1-2069279-1](#) [121583-0217](#) [121667-0020](#) [129591AU](#) [1000B BULK](#) [RD10A16-19-P6CS051/1](#)
[RD10A20-31-P8CS051/1](#) [RD16A14-12-S6CS051/2](#) [1301240290](#) [1301240347](#) [1301860202](#)