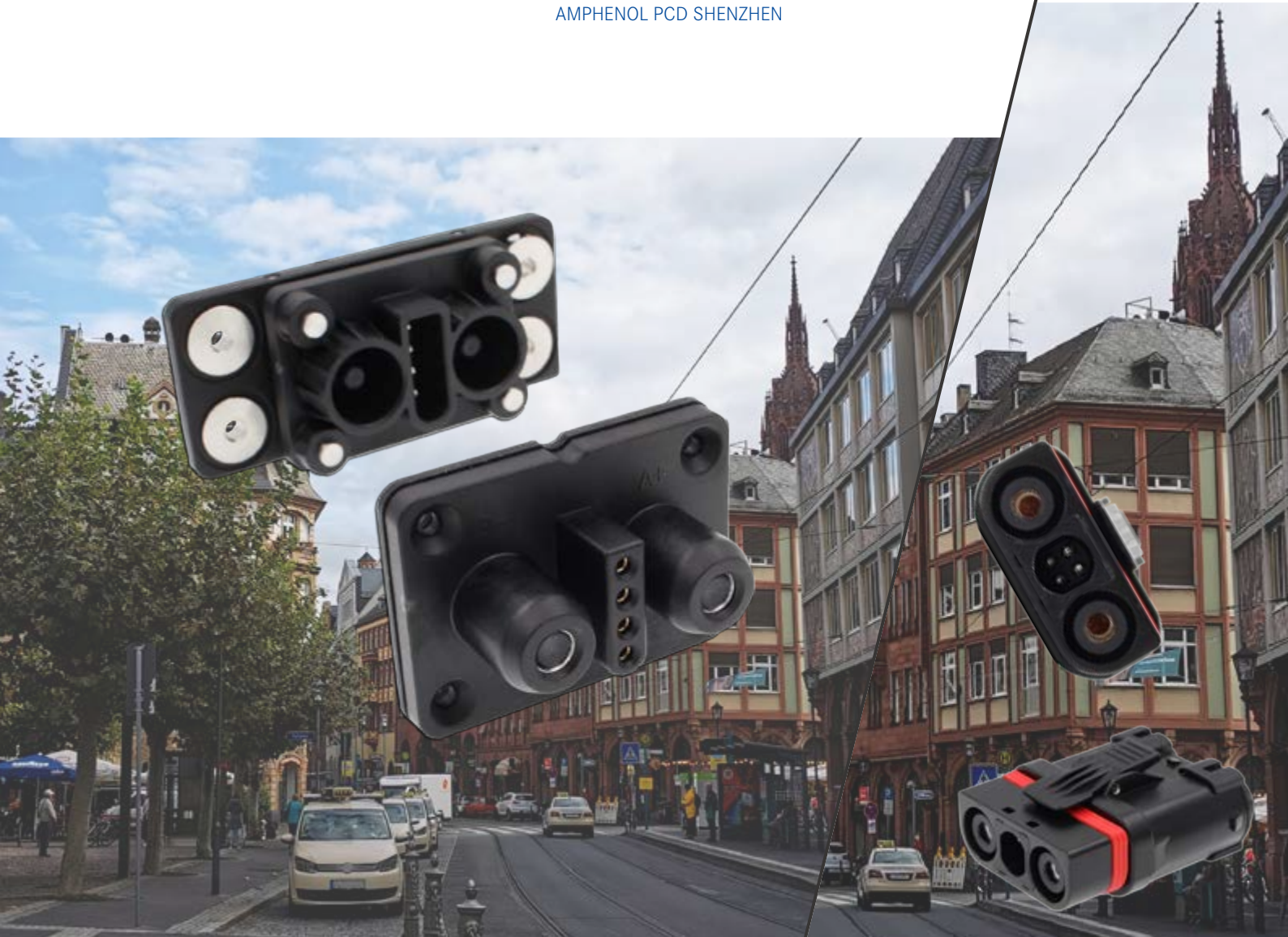




AMPHENOL PCD SHENZHEN



BSM

Battery Swap Modules

www.amphenolpcd.com.cn

INDUSTRIAL@AMPHENOL
TRUSTED GLOBALLY

TABLE OF CONTENTS

CONTENT

PRODUCT INTRODUCTION.....	3
BSM5A.....	4
BSM100A.....	7
BSM70A.....	10
BSM80A.....	13



BSM series connectors are Battery Swapping Modules with high durability. Their deviation self-correction and collision prevention ensure a fast and precise mating.

- RADSOK® Technology.
- Excellent physical shock and vibration.
- Distinct function for deviation-auto correction, can adjust deviation of X, Y, Z. X and Y direction $\pm 2\text{mm}$ and Z direction $\pm 5\text{mm}$.

For custom orders, please contact us. Amphenol PCD Shenzhen is able to provide customized solutions to meet our customers' needs.

BSM5A

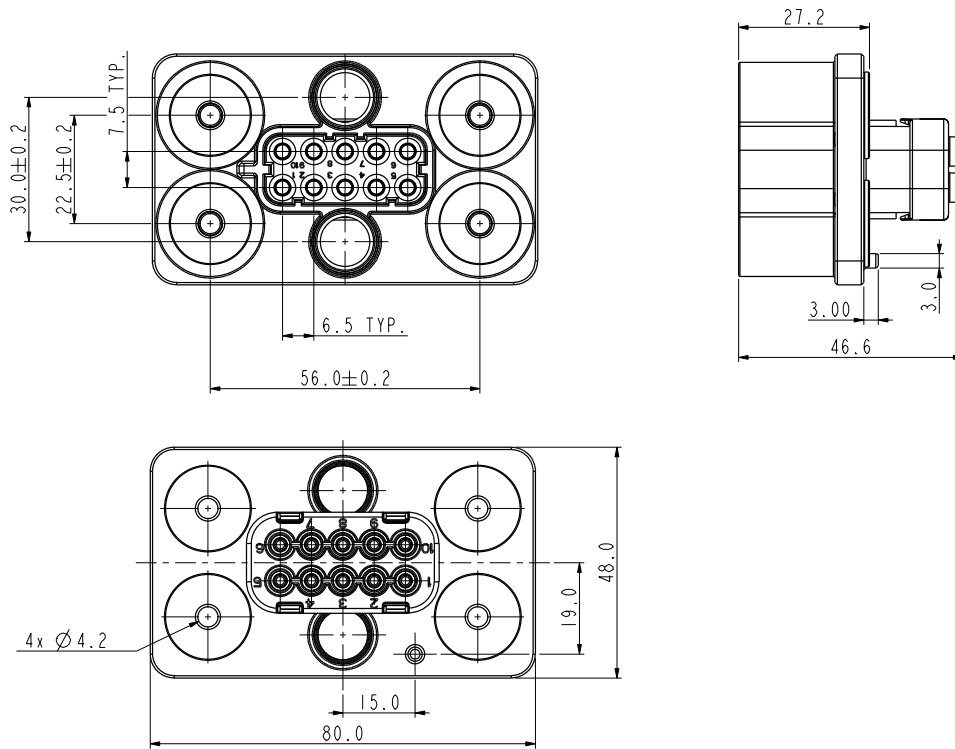


MECHANICAL	
Durability	≥ 5000 mating cycles
Insertion and extraction force	130N max
ELECTRICAL	
Wire range	1.0 to 1.5 mm ²
Rated current	5A max
Rated voltage	24V
Insulator resistance	≥ 200MΩ
Dielectric withstanding voltage	1000V AC
ENVIRONMENTAL	
Ambient temperature	-40°C to 70°C
Operating temperature	-40°C to 125°C

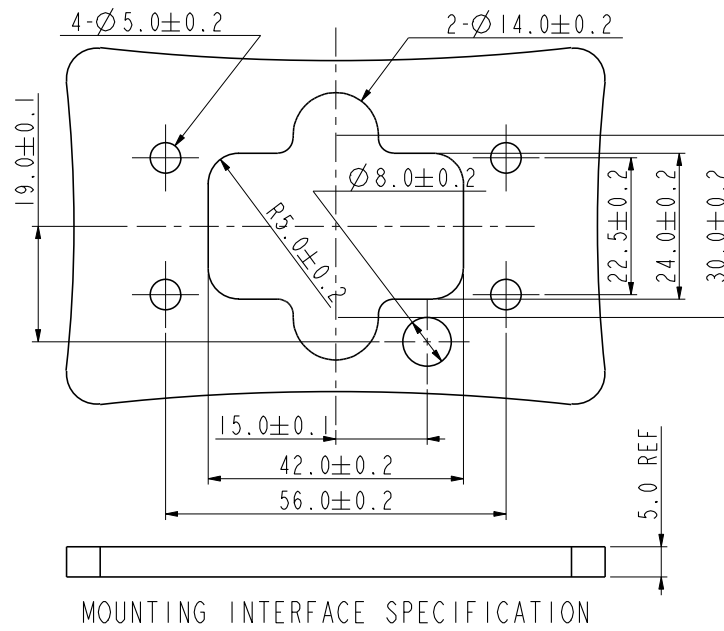
KEY FEATURES

- Blind mating with floating on X, Y, Z axes
- Deviation self-correction
- Collision prevention
- High durability
- Excellent physical shock and vibration performance

RECEPTACLE
P/N: HEV5AF10S

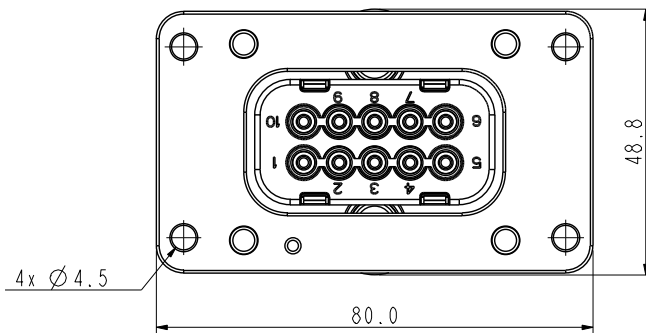
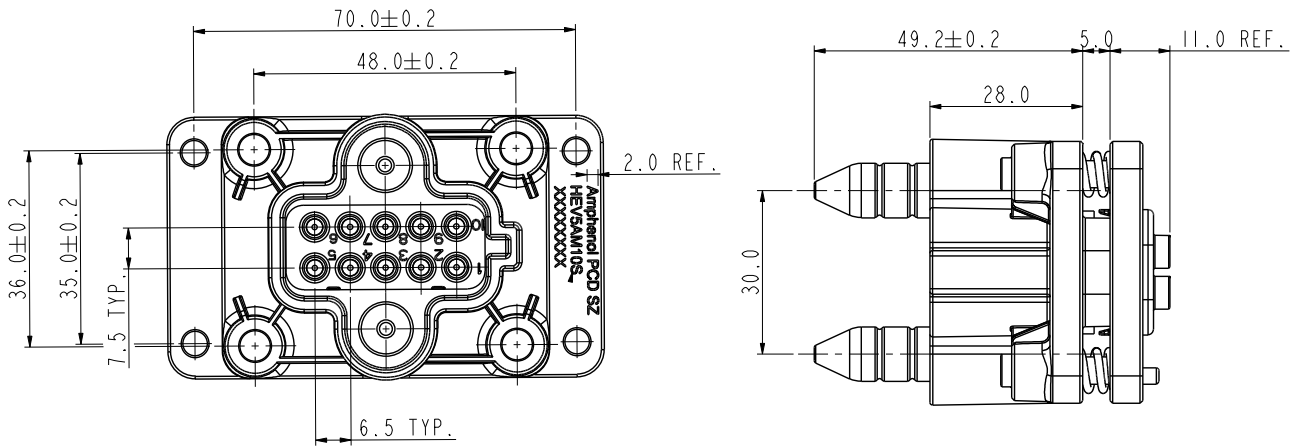


PANEL MOUNTING DIMENSIONS

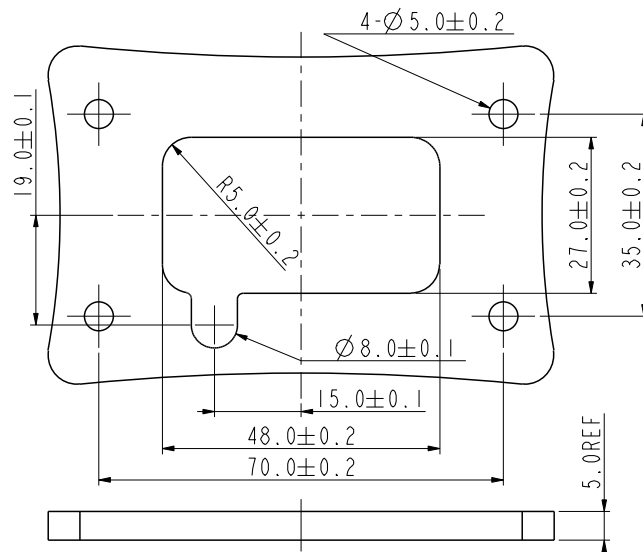


BSM5A

PLUG
P/N: HEV5AM10S



PANEL MOUNTING DIMENSIONS



MOUNTING INTERFACE SPECIFICATION



MECHANICAL	
Durability	≥ 5000 mating cycles
Insertion and extraction force	130N max
ELECTRICAL	
Wire range	Signal contact: 0.5 to 0.75 mm ² Power contact: 25mm ²
Rated current	Signal contact: 2A Power contact: 100A max
Rated voltage	Signal contact: 12 to 24 V Power contact: 600V DC
Insulator resistance	$\geq 200M\Omega$
Dielectric withstanding voltage	3000V AC Between power contact
ENVIRONMENTAL	
Ambient temperature	-40°C to 70°C
Operating temperature	-40°C to 125°C

KEY FEATURES

Blind mating with floating on X, Y, Z axes

Deviation self-correction

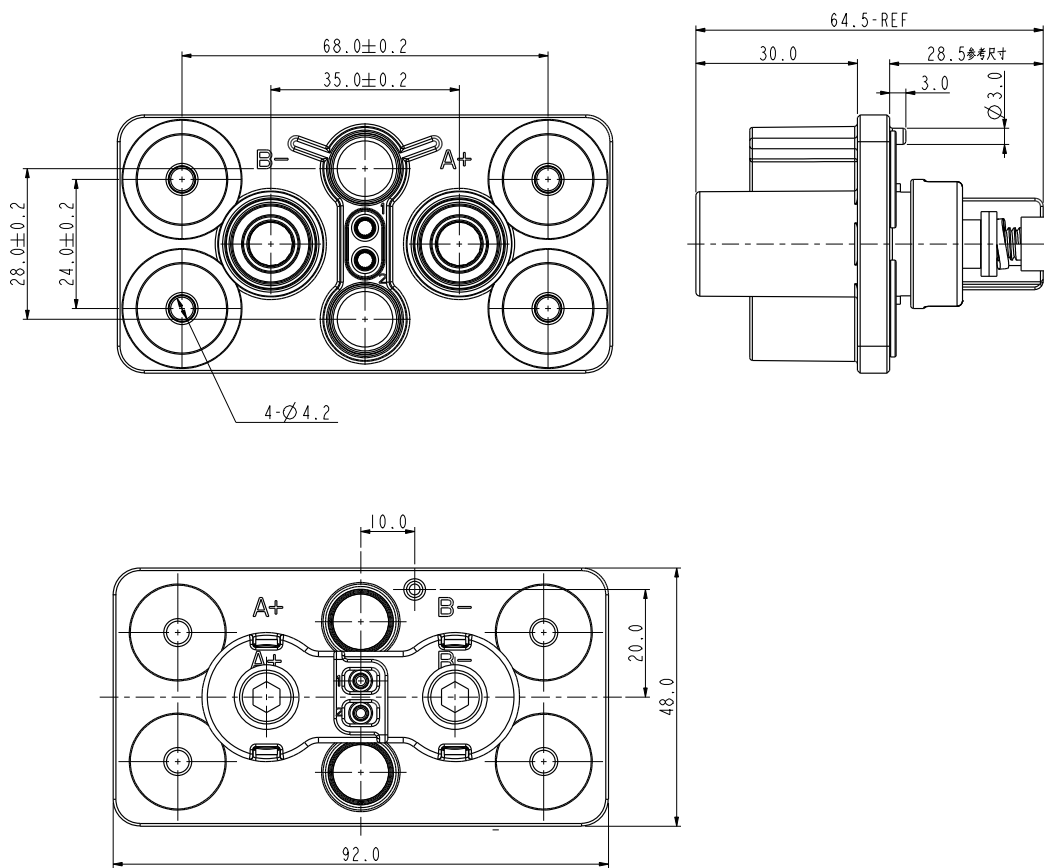
Collision prevention

High durability

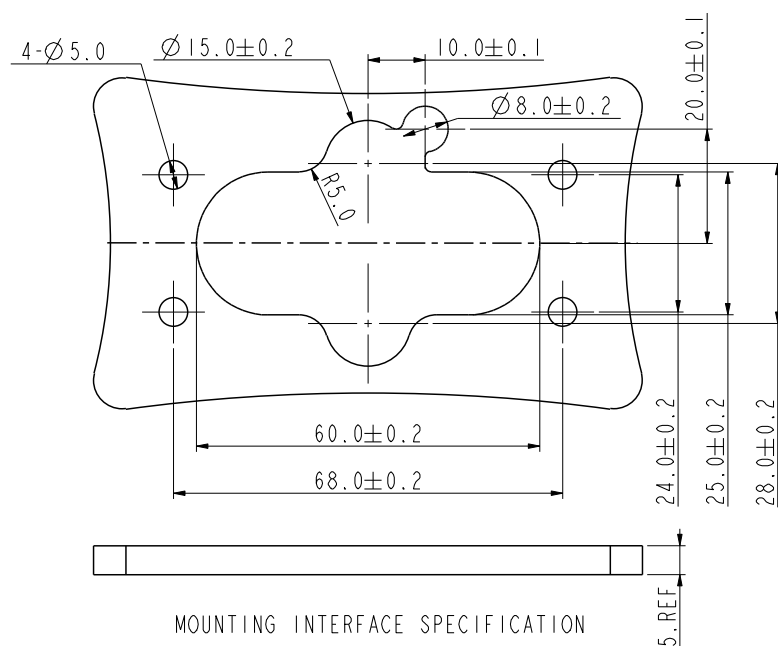
Excellent physical shock and vibration performance

BSM100A

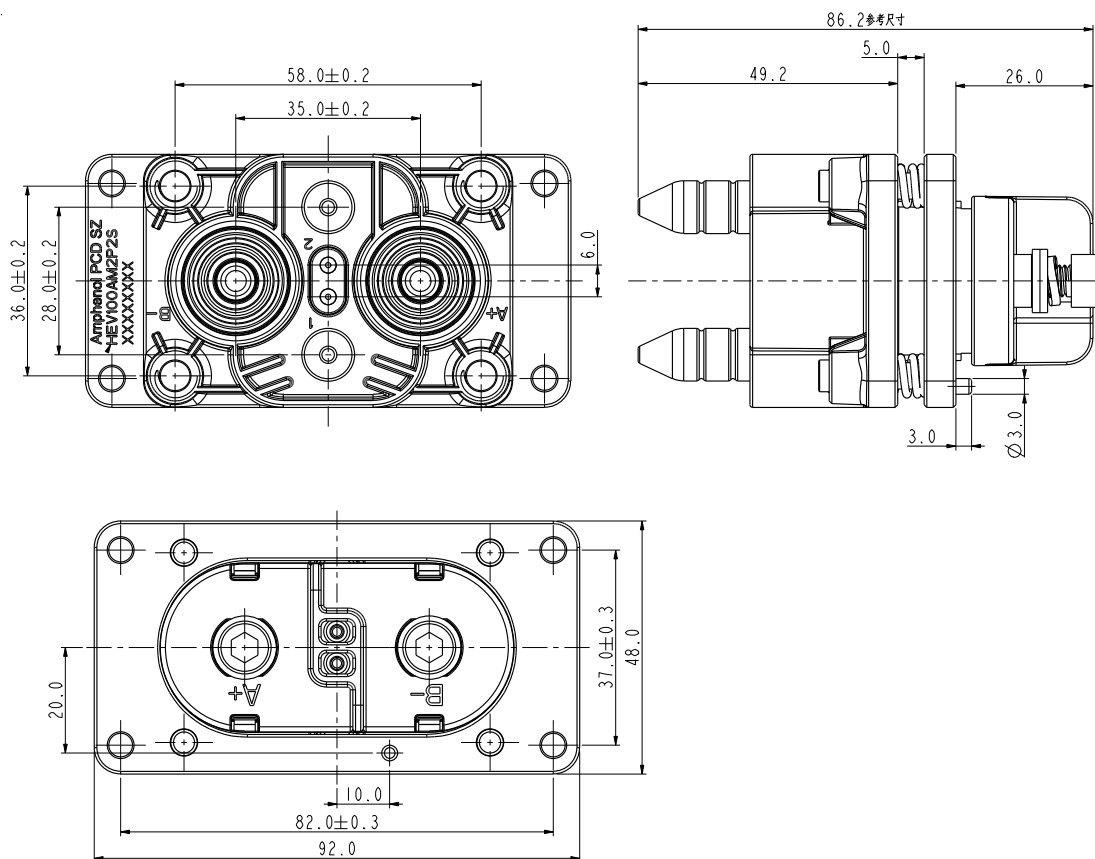
RECEPTACLE
P/N: HEV100AF2P2S



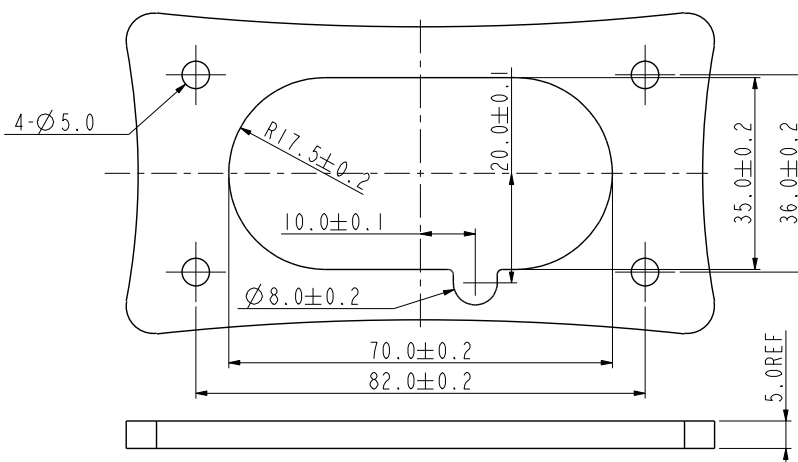
PANEL MOUNTING DIMENSIONS



PLUG
P/N: HEV100AM2P2S



PANEL MOUNTING DIMENSIONS



MOUNTING INTERFACE SPECIFICATION

BSM70A

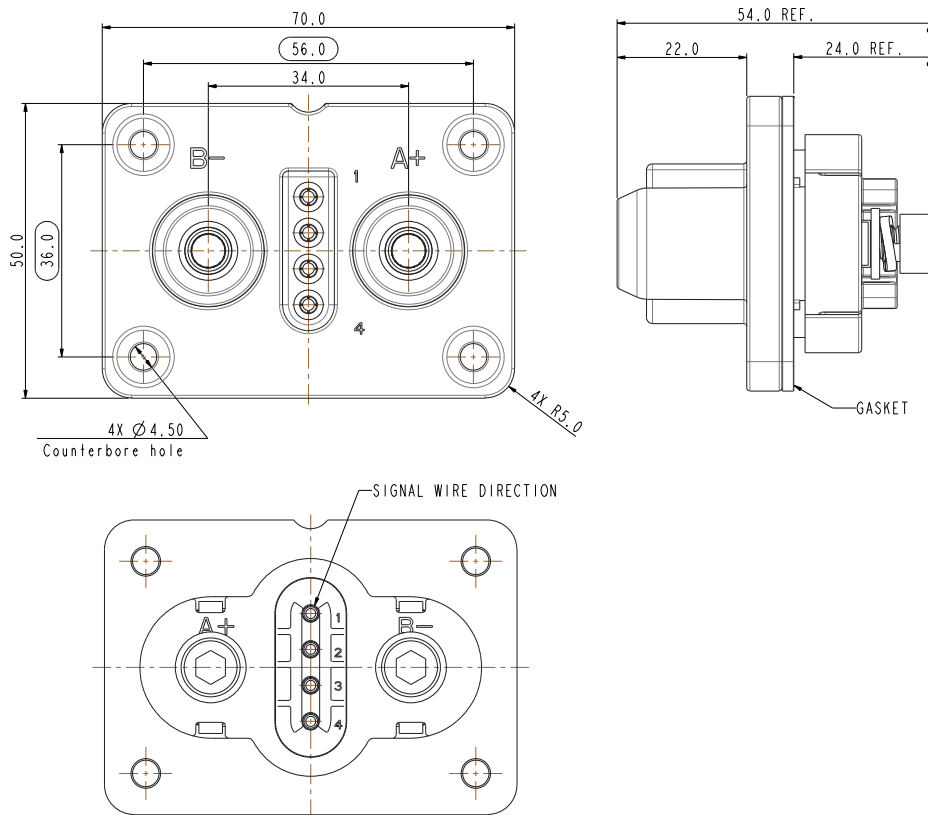


MECHANICAL	
Durability	≥ 5000 mating cycles
Insertion and extraction force	200N max
ELECTRICAL	
Wire range	Signal contact: 2.5mm ² Power contact: 16mm ²
Rated current	Signal contact: 13A Power contact: 70A max
Rated voltage	Signal contact: 12 to 24 V Power contact: 600V DC
Insulator resistance	≥ 200MΩ
Dielectric withstanding voltage	3000V AC Between power contact
ENVIRONMENTAL	
Ambient temperature	-40°C to 70°C
Operating temperature	-40°C to 125°C

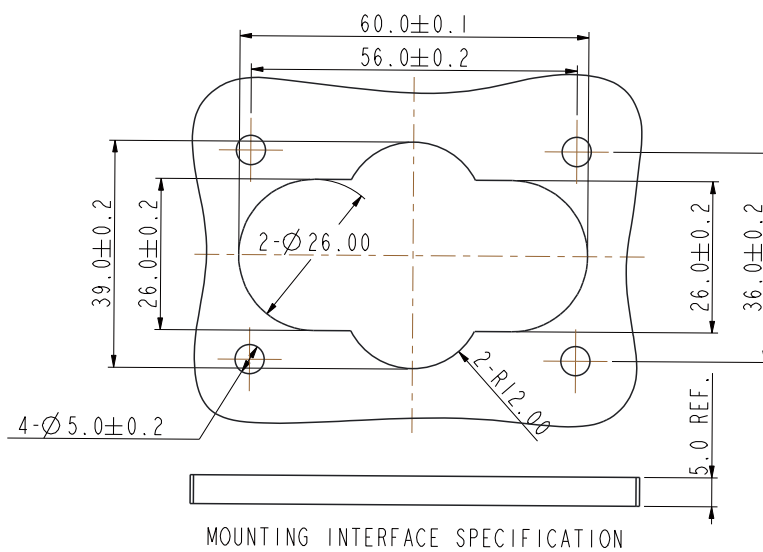
KEY FEATURES

- Blind mating with floating on X, Y, Z axes
- Deviation self-correction
- Collision prevention
- High durability
- Excellent physical shock and vibration performance

RECEPTACLE
P/N: HEV070AF2P4SF

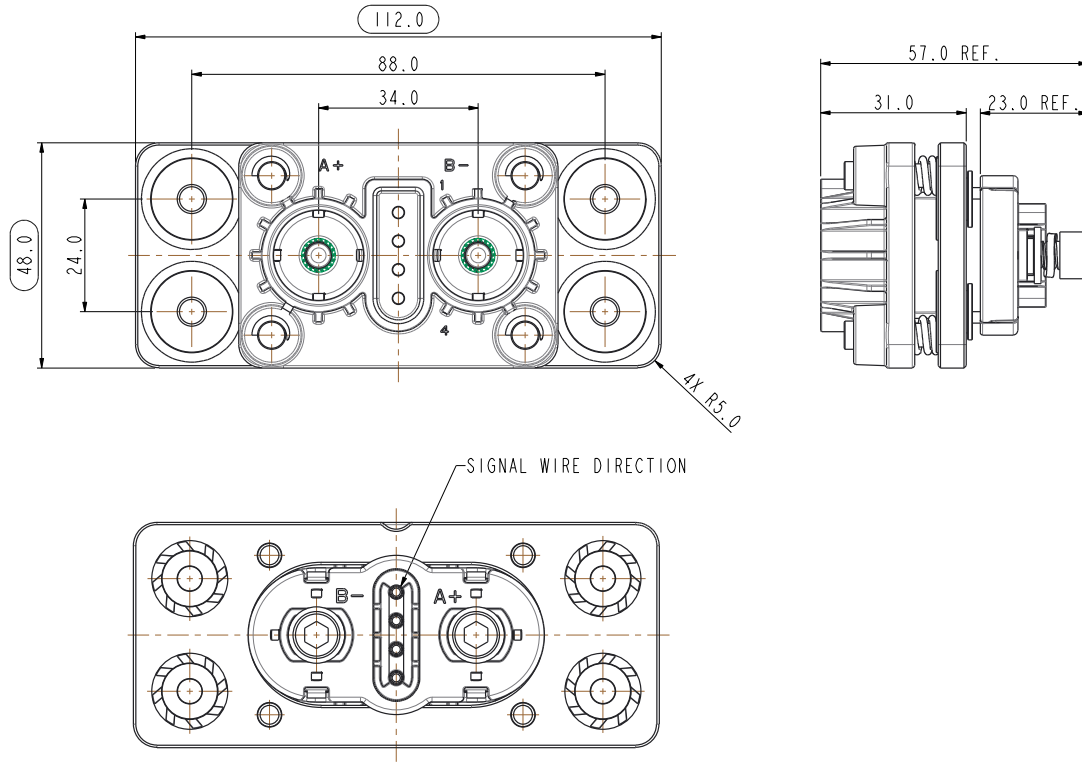


PANEL MOUNTING DIMENSIONS

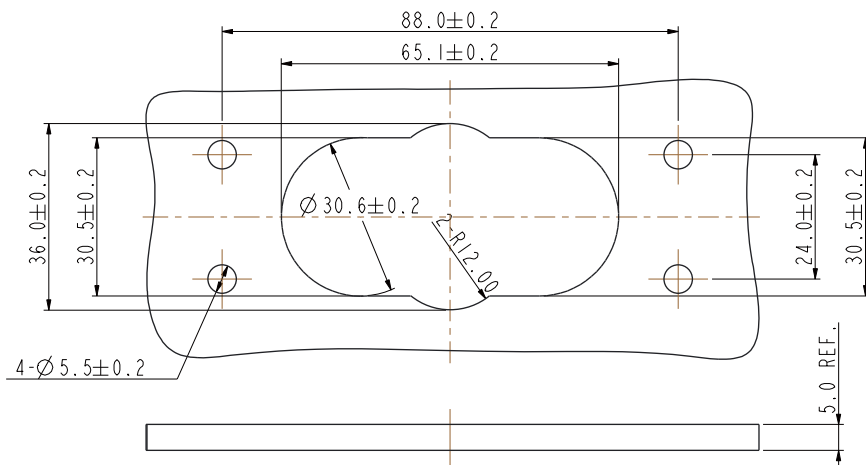


BSM70A

PLUG
P/N: HEV070AM2P4SF



PANEL MOUNTING DIMENSIONS



MOUNTING INTERFACE SPECIFICATION



MECHANICAL	
Durability	≥ 5000 mating cycles
Insertion and extraction force	200N max
ELECTRICAL	
Wire range	Signal contact: 1.0 to 1.5 mm ² Power contact: 20 to 25 mm ²
Rated current	Signal contact: 5A max Power contact: 80A max
Rated voltage	Signal contact: 30V Power contact: 600V DC
Insulator resistance	≥ 200MΩ
Dielectric withstanding voltage	3000V AC
ENVIRONMENTAL	
Ambient temperature	-40°C to 70°C
Operating temperature	-40°C to 125°C
Sealing	IP67 (Cable entry of the plug)

KEY FEATURES

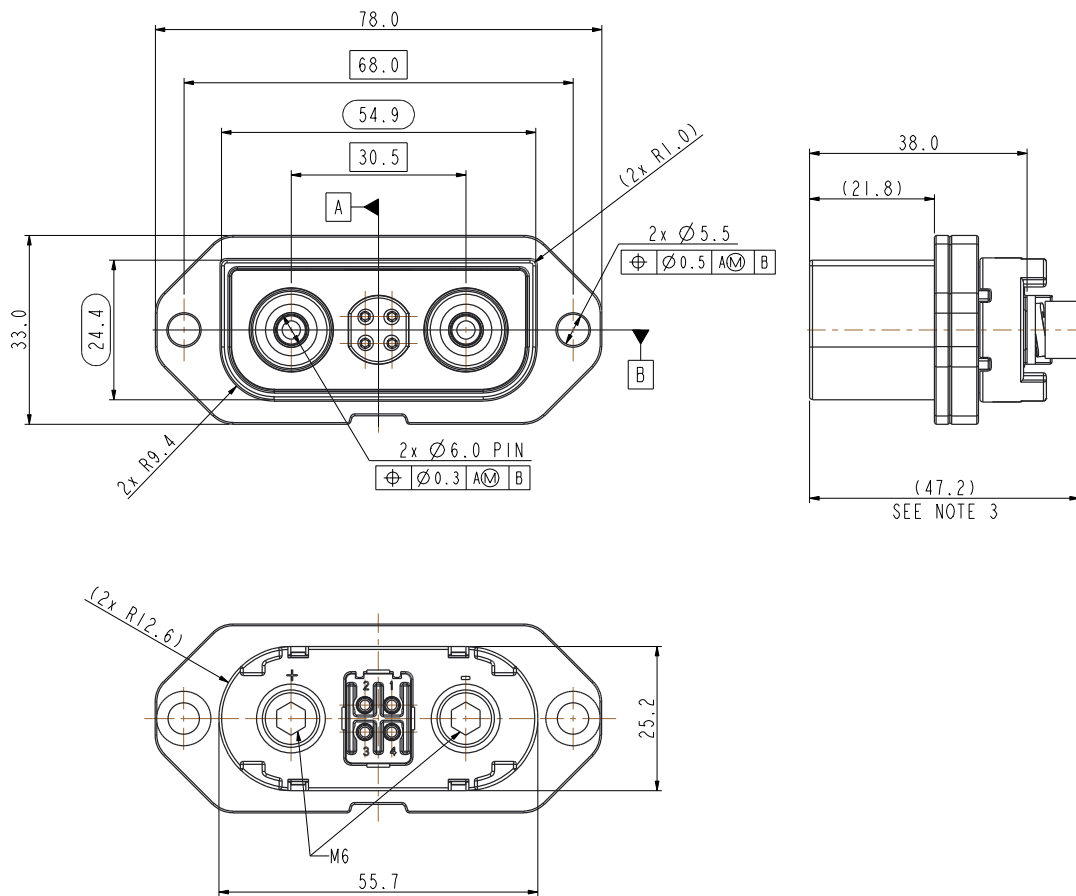
Quick mating

High durability

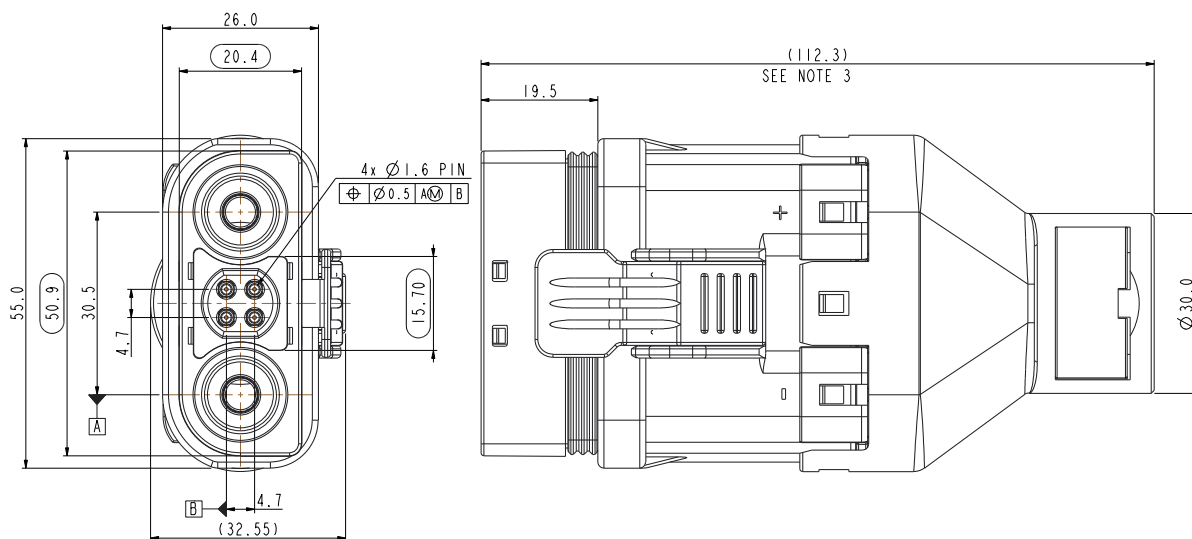
Excellent physical shock and vibration performance

BSM80A

RECEPTACLE P/N: HEV080AF2P4SF



PLUG P/N: HEV080AM2P4SF



Amphenol PCD Shenzhen

Building 21
1st Liao Keng Industrial Zone
Shi Yan Street, Bao An District Shenzhen 518108
China

Tel.: +86 755-8173-8000
Fax: +86 755-8173-8180
Email: inquiry@amphenolpcd.com.cn

www.amphenolpcd.com.cn

Notes:

Amphenol PCD Shenzhen has made every effort to ensure that the information contained in this catalog is accurate at the time of publication. Specifications or information stated in this publication are subject to change without notice.

Amphenol PCD Shenzhen reserves the right to clarify this catalog.

X-ON Electronics

Largest Supplier of Electrical and Electronic Components

Click to view similar products for [Board Mount Pressure Sensors](#) category:

Click to view products by [Amphenol](#) manufacturer:

Other Similar products are found below :

[6407-249V-17343P](#) [6407-250V-09273P](#) [80527-25.0H2-05](#) [80541-B00000150-01](#) [80541-B00000200-05](#) [80554-00700100-05](#) [80568-00300050-01](#) [93.631.4253.0](#) [93.731.4353.0](#) [93.932.4553.0](#) [136PC150G2](#) [136PC15A1](#) [142PC95AW71](#) [142PC05DW70](#) [15PSI-G-4V](#) [1805-01A-L0N-B](#) [26PCBKT](#) [26PCCFA6D26](#) [26PCCFS2G](#) [26PCCVA6D](#) [93.632.7353.0](#) [93.731.3653.0](#) [93.931.4853.0](#) [93.932.4853.0](#) [SCDA120-XSC05DC](#) [185PC30DH](#) [20INCH-G-MV-MINI](#) [26PCAFJ3G](#) [26PCCEP5G24](#) [26PCDFA3G](#) [26PCJEU5G19](#) [ASCX15AN-90](#) [TSCSAAN001PDUCV](#) [DCAL401DN](#) [DCAL401GN](#) [XZ202798SSC](#) [XZ203676HSC](#) [6407-249V-09343P](#) [6407-250V-17343P](#) [SP370-25-116-0](#) [81794-B00001200-01](#) [HSCDLNN100PGAA5](#) [82681-B00000100-01](#) [81618-B00000040-05](#) [SSCDJNN015PAAA5](#) [TSCDLNN100MDUCV](#) [TSCSAAN100PDUCV](#) [NBPDANN015PGUNV](#) [NBPLLNS150PGUNV](#) [142PC100D](#)