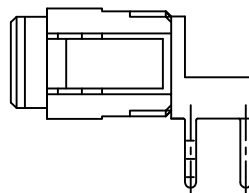
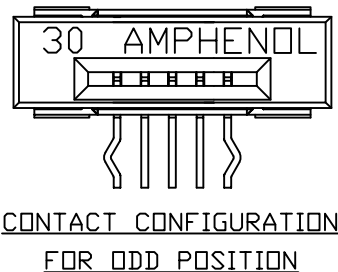
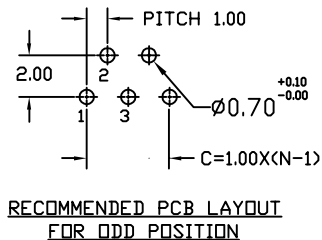
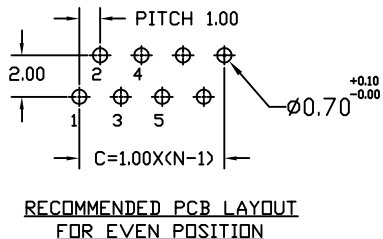
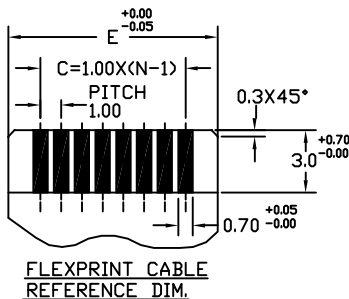
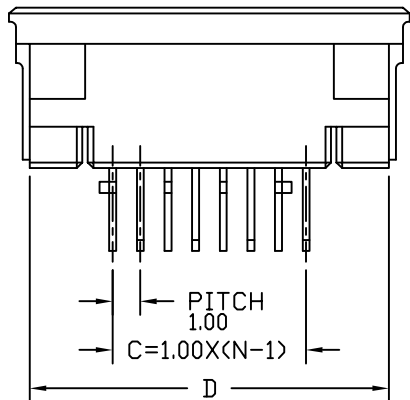
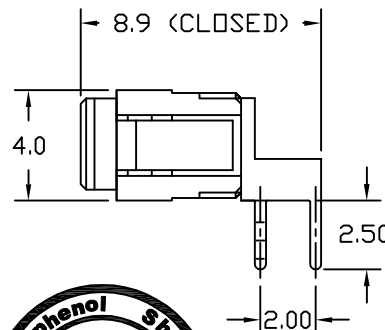
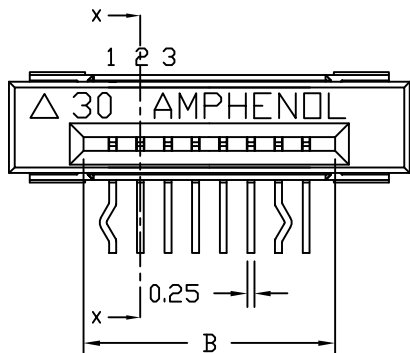
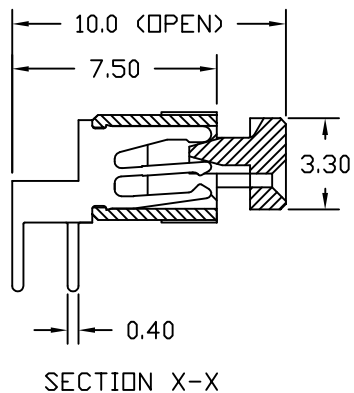


This document is the property of Amphenol Corporation and is delivered on the express condition that it is not to be disclosed, reproduced or used in whole or in part for manufacture or sale by anyone other than Amphenol Corporation without its prior consent, and that no right is granted to disclose or to use any information in this document.

**CONTACT CONFIGURATION FOR EVEN POSITION**



REVISIONS				
SYM	ECN	DESCRIPTION	DATE	APPROVED
A	HK585	RELEASED TO PRODUCTION	11/08/93	
B	HK4309	CHANGE THE PLATING FROM TIN/LEAD TO PURE TIN	2/24/07	IP

**PART NUMBER SYSTEM**

C007-10B-XXX-X/X 0/X

FPC SERIES  
FLEXPRINT  
THK.=0.3MM

VARIATION

CONTACT PLATING  
0 : PURE TIN  
1 : GOLD FLASH

**TERMINATIONS**

- 0X01 : DIP SOLDER PIN, STRAIGHT
- 1X01 : DIP SOLDER PIN, RIGHT ANGLED
- 0X02 : SMT PIN, RIGHT ANGLED
- 1X02 : SMT PIN, STRAIGHT

NO. OF WAYS  
N : SEE TABLE I

-TABLE I-

PART NUMBERS	NO. OF WAYS ( N )	A	B	C	D	E
C007-10B-005-1001	5	11.50	6.10	4.00	10.00	6.10
C007-10B-008-1001	8	14.50	9.10	7.00	13.00	9.10
C007-10B-010-1001	10	16.50	11.10	9.00	15.00	11.10
C007-10B-012-1001	12	18.50	13.10	11.00	17.00	13.10
C007-10B-014-1001	14	20.50	15.10	13.00	19.00	15.10
C007-10B-016-1001	16	22.50	17.10	15.00	21.00	17.10
C007-10B-017-1001	17	23.50	18.10	16.00	22.00	18.10
C007-10B-018-1001	18	24.50	19.10	17.00	23.00	19.10
C007-10B-020-1001	20 *	26.50	21.10	19.00	25.00	21.10
C007-10B-021-1001	21 *	27.50	22.10	20.00	26.00	22.10
C007-10B-022-1001	22	28.50	23.10	21.00	27.00	23.10
C007-10B-024-1001	24 *	30.50	25.10	23.00	29.00	25.10
C007-10B-025-1001	25	31.50	26.10	24.00	30.00	26.10
C007-10B-026-1001	26	32.50	27.10	25.00	31.00	27.10
C007-10B-030-1001	30	36.50	31.10	29.00	35.00	31.10

\* PENDING

UNLESS OTHERWISE SPECIFIED TOLERANCES		APPROVAL		DATE
	U.S.	U.S.	METRIC	
X	+/-	0.50		DRAWN XL Yin 2/24/07
.XX	+/-	0.20		CHECKED YH HOU 2/24/07
.XXX	+/-	0.05		APPR.
FRACTIONS	+/-			File Name : PE MASTER/DRAWING/C007 /C00710BXXX1X01-B.dwg
ANGLES	+/-	5°		

REMOVE SHARP EDGES		ANGLE OF PROJECTION	
DIMENSIONS			
U.S.	INCHES		
(METRIC)	(MM)		

APPROVAL		DATE
DRAWN	XL Yin	2/24/07
CHECKED	YH HOU	2/24/07
APPR.		

Amphenol  
Amphenol East Asia Limited  
Manufacturing Operation

TITLE FPC , RIGHT ANGLE  
DIP SOLDER PIN

SIZE	DRAWING NO.	REV.
A4	C007-10B-XXX-1X01	B
SCALE	NONE	SHEET 1 OF 1

## X-ON Electronics

Largest Supplier of Electrical and Electronic Components

*Click to view similar products for [FFC & FPC Connectors](#) category:*

*Click to view products by [Amphenol](#) manufacturer:*

Other Similar products are found below :

[K-FC20](#) [FH29B-80S-0.2SHW\(99\)](#) [FPH-2022G](#) [AYF332735](#) [52610-1075](#) [52610-1275](#) [52610-1934](#) [501864-3091-TR225](#) [086222026001800](#)  
[52610-0675](#) [62684-36210E9ALF](#) [52746-1671-TR250](#) [10051922-2810EHLF](#) [6-520415-9](#) [SFV6R-1STE9HLF](#) [XF3M-2915-1B-R100](#)  
[1658549-1](#) [46214008010800](#) [AYF534065TA](#) [AYF351525](#) [086212040340800+](#) [AYF530365TA](#) [67000-014LF](#) [67000-004LF](#)  
[006207341915000+](#) [DS1020-19RT1D](#) [67000-003LF](#) [67000-011LF](#) [67000-016LF](#) [HFW14R-2STE9LF](#) [SFV32R-2STBE9HLF](#) [SFW12R-](#)  
[5STE9LF](#) [SFW18R-1STAE9LF](#) [SFW4R-5STE9LF](#) [52807-0430](#) [046283021002868+](#) [THD1015-8CL-SN](#) [67000-006LF](#) [502250-8027](#)  
[104267-9617](#) [66987-011LF](#) [AYF362535](#) [F0501-T-50-20T-R](#) [HFW8S-2STAE1HLF](#) [67000-008LF](#) [67000-012LF](#) [ECC576069EU](#) [F1002-B-](#)  
[20-20T-R](#) [HFW15S-2STAE1HLF](#) [0781271110](#)