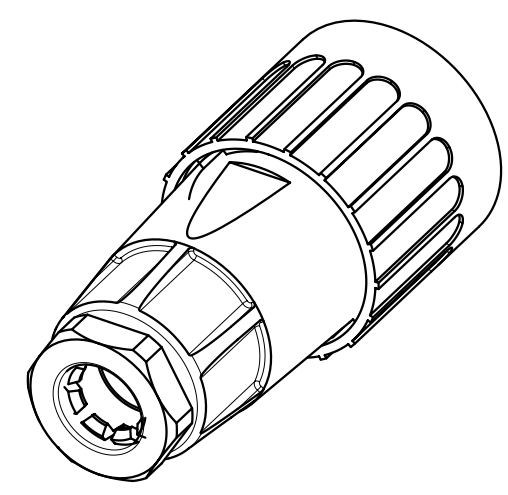
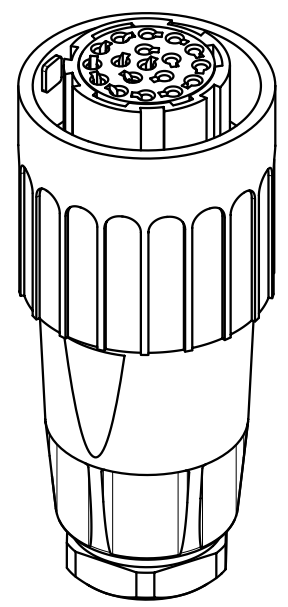
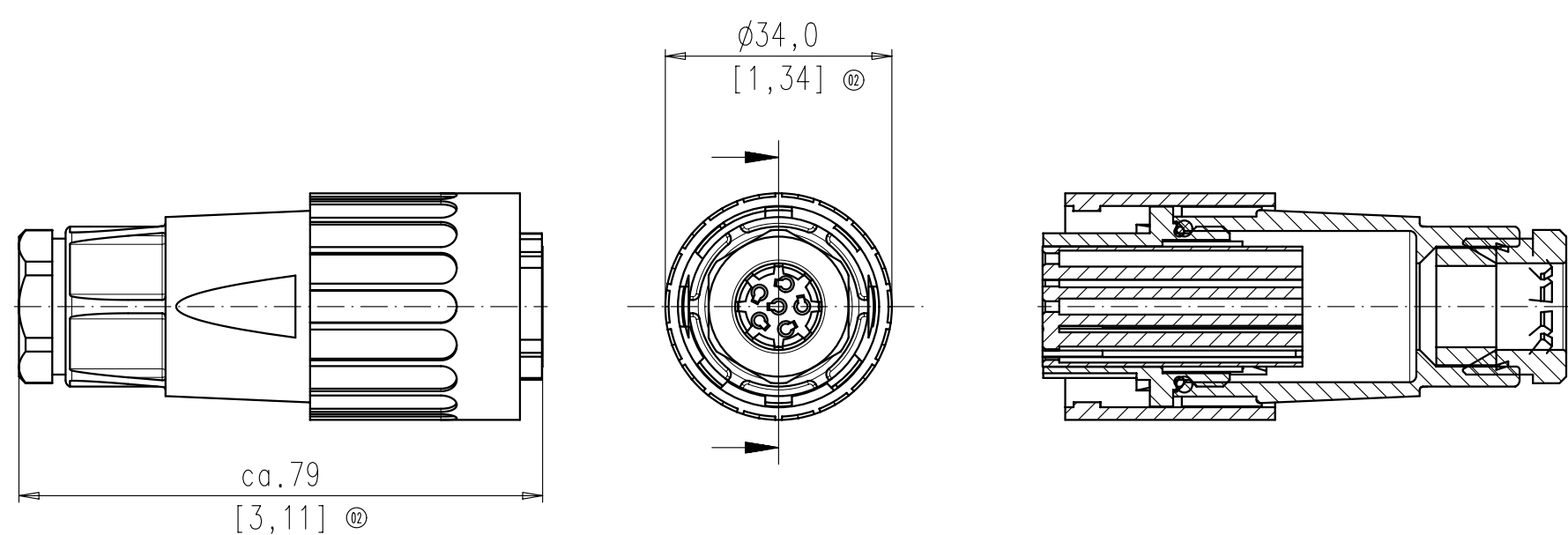


Copying of this document and giving it to others and the use or communication of the contents thereof, are forbidden without express authority. Offenders are liable to the payment of damages. All rights are reserved in the event of the grant of a patent or the registration of the utility model or design.



Polzahl No. of poles	17+PE
Bemessungsspannung Rated voltage	100 V AC/DC
Anschlußtechnik Type of termination	Crimpen crimp
Anschlussquerschnitt wire gauge	0,09-1,0mm ² AWG 28-18
Strombelastbarkeit Tu +55°C Current carrying capacity	6 A / 0.5mm ² ⁽²⁾
Durchgangswiderstand Contact resistance	<5 mOhm
Temperaturbereich Temperature range	-40°C bis +125°C -40°F up to +257°F
Schutzart Protection class	IP 65 (in gestecktem Zustand) IP 65 (in mated condition)
Mechanische Lebensdauer Mechanical operations	>500 Steckzyklen >500 mating cycles
Gehäuse Housing	Polyamid Polyamide
Kontaktträger insert	Polyamid Polyamide
Kontaktoberfläche contact plating	Versilbert Silver plated
Dichtungen Gaskets	Neoprene
Verriegelung Locking	Bajonett Bayonet
Anschließbare Kabeldurchmesser possible cable diameters	ø10,0-12,0mm

Crimpkontakt bitte separat bestellen
 Please order crimp contacts separately
 N 02 015 0052 (0,09-0,25mm²)
 N 02 015 0046 (0,35-0,5mm²)
 N 02 015 0047 (0,75-1,0mm²)

All technical data have been measured in a laboratory environment and can be different during practical usage of the product. Any product information is for descriptive usage only and not legally binding; particularly the information does not constitute or provide any legal guaranties.

Alle technischen Daten wurden unter Laborbedingungen ermittelt und können im Praxisbetrieb abweichen. Es handelt sich bei den Angaben weder um Beschaffenheits- noch um Haltbarkeitsgarantien

Masse (errechnet)/Calc WT:	9	Zul. Abw./Tolerances:		Maßstab/Scale 1:1	A3	
Prüfmaß/Testdimension				CUSTOMER DRAWING		
Teileindex Partindexnumber				Kabeldose komplett female cable connector		
		13	Datum/Date	Name		
		Gez.	25.01.	Mohrlang		
		Drawn				
		Gepr.				
		Checked				
02	201200155	30.01.13	RS	Amphenol-Tuchel		
01	201200155	25.01.13	IM	Electronics GmbH		
Index	Änderung/Description	Datum/Date	Name	Ers. f./Replacement for:		
				M	C016 10D017 003 1	Blatt/Sheet 1 1 Bl.

X-ON Electronics

Largest Supplier of Electrical and Electronic Components

Click to view similar products for [Circular DIN Connectors](#) category:

Click to view products by [Amphenol](#) manufacturer:

Other Similar products are found below :

[60KD4M](#) [M83723/76W22326](#) [M83723/78R22327](#) [D38999/24WJ29PA](#) [D38999/26FE99SN L/C](#) [75-069228-21J](#) [75-474014-07L](#) [88-559975-75P](#) [8R3006A18M0033](#) [PT02E1283P](#) [GTC00G-24-7S](#) [PT05A-14-5SX](#) [PT05A1832SW](#) [PT05E2255PW](#) [PT05SE1832SWLC](#) [PT05SE1832SYLC](#) [GTC030-20-27PW-LC](#) [GTC030A-20-33S](#) [PT06SE1811SXLC](#) [1211290078](#) [1211810025](#) [1210120122](#) [ACC06AF-20-23P\(003\)](#) [1210503216](#) [1211290084](#) [1211500027](#) [ACS06AF-16-10P\(003\)](#) [D38999/40FB35AN](#) [D38999/40FB35BB](#) [D38999/40WB35BN](#) [D38999/40WD35PN](#) [D38999/40WJ29SN-L/C](#) [D38999/40WJ4BN](#) [D38999/42FB35BN](#) [D38999/42WB35AB](#) [D38999/42WB35PB-L/C](#) [D38999/42WJ19AN](#) [D38999/42WJ24PN-L/C](#) [D38999/44WB35AN](#) [D38999/44WH21AN](#) [D38999/44WH35AN](#) [D38999/44WJ29BA](#) [D38999/44WJ35PN](#) [D38999/44WJ61BA](#) [D38999/46FB35AC](#) [D38999/46FB35BN](#) [D38999/46FB35SA-L/C](#) [D38999/46FB99BA](#) [D38999/46FB99BN](#) [D38999/46FJ19SA-L/C](#)