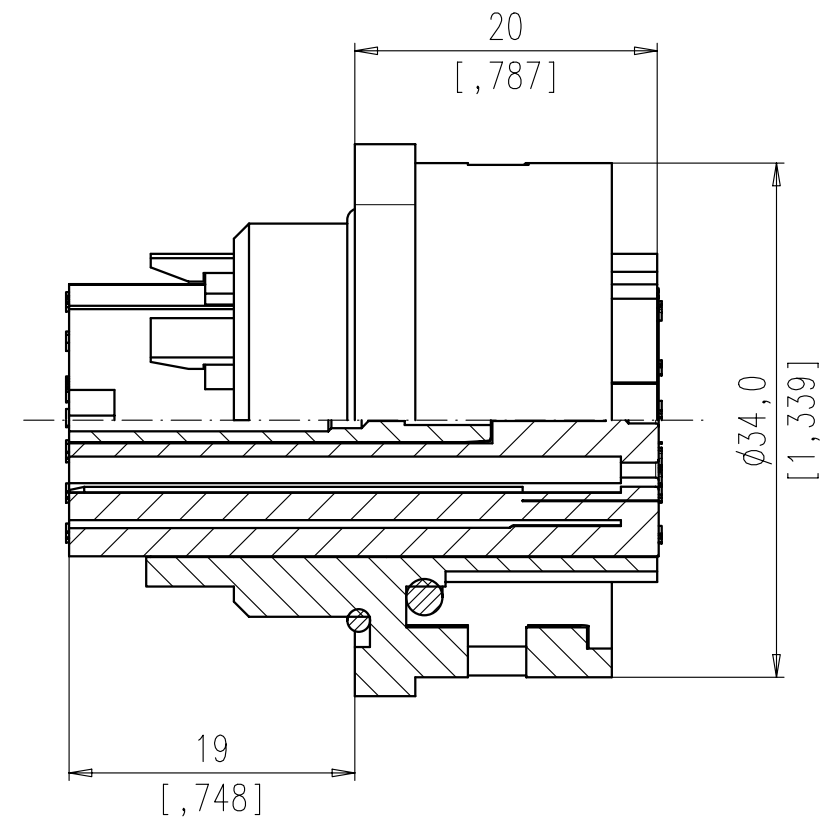
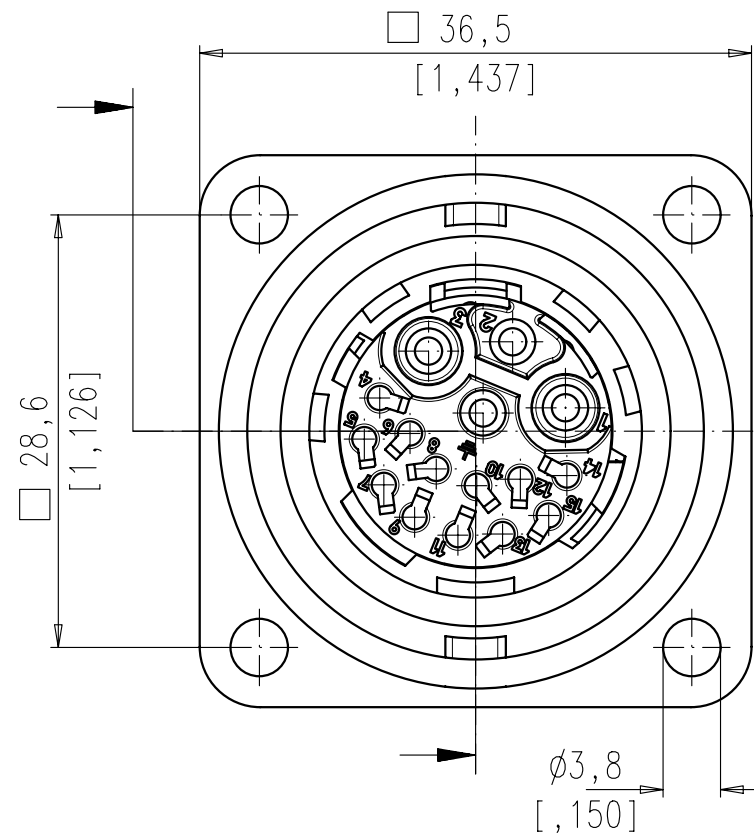
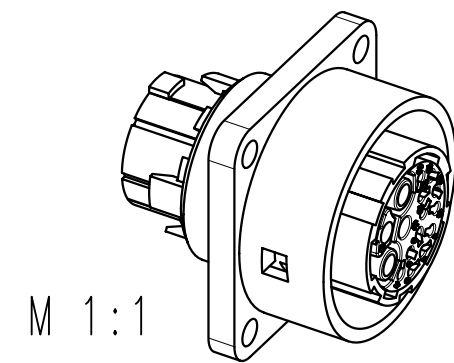
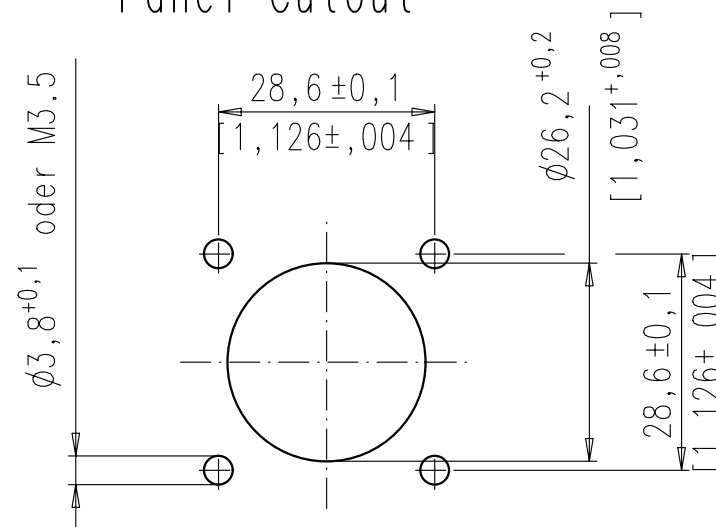


Copying of this document and giving it to others and the use or communication of the contents thereof, are forbidden without express authority. Offenders are liable to the payment of damages. All rights are reserved in the event of the grant of a patent or the registration of the utility model or design.

Polzahl / No. of contacts	12+3+PE
Anschlußart / Termination	crimpen crimping
Anschlußquerschnitt / Wire gauge	4x 0,14 - 2,5mm <sup>2</sup> / 12x 0,09 - 1,0mm <sup>2</sup> 4x AWG 26 - 14 / 12x AWG 28 - 18
Bemessungsspannung gesteckt / Rated voltage mated	3 x 320V 12 x 24V
Strombelastbarkeit bei 2,5mm <sup>2</sup> / Current carrying capacity	3 x 12A / +40°C/+104°F 12 x 6A / +40°C/+104°F
Temperaturbereich Temperature range	-40°C bis +125°C -40°F up to +257°F
Mechanische Lebensdauer Mechanical operations	>500 Steckzyklen >500 mating cycles
Schutzart (in gest. Zustand) / Protection Class (when mated)	IP 65
Werkstoff Gehäuse/ Material Housing	PA
Werkstoff Kontaktträger/ Material Dielectric	PA
Werkstoff Dichtungen/ Material Gasket	Neopren / neoprene
Verschmutzungsgrad / Pollution Degree	3
Überspannungskategorie / Overvoltage Kategorie	III



Montageausschnitt  
Panel Cutout



Crimpkontakte separat bestellen siehe M-N 02 016 000X (X)  
 and M-N 02 015 00XX (X)  
 order crimp contacts separately see M-N 02 016 000X (X)  
 and M-N 02 015 00XX (X)

All technical data have been measured in a laboratory environment  
 and can be different during practical usage of the product.  
 Any product information is for descriptive usage only and not legally binding;  
 particularly the information does not constitute or provide any legal guaranties  
 (Beschaffenhheitsgarantie or Haltbarkeitsgarantie)

Alle technischen Daten wurden unter Laborbedingungen ermittelt und können im  
 Praxisbetrieb abweichen. Es handelt sich bei den Angaben weder  
 um Beschaffenhheits- noch um Haltbarkeitsgarantien

Masse [errechnet]/Calc WT:	9	Zul. Abw./Tolerances:		Maßstab/Scale	2:1, 1:1	A3	
Prüfmaß/Testdimension				CUSTOMER DRAWING			
Teileindex Part index number				Gerätedose 12+3+PE female receptacle 12+3+PE			
		13	Datum/Date	Name			
		Gez.	24.10.	Schädel			
		Drawn					
		Gepr.					
		Checked					
		Amphenol-Tuchel Electronics GmbH		M	C016 10G015 000 1	Blatt/Sheet	1
01	201300522	24.10.13	RS	Ers. f./Replacement for:		1	Bl.
Index	Änderung/Description	Datum/Date	Name				

## X-ON Electronics

Largest Supplier of Electrical and Electronic Components

*Click to view similar products for [Circular DIN Connectors](#) category:*

*Click to view products by [Amphenol](#) manufacturer:*

Other Similar products are found below :

[60KD4M](#) [M83723/76W22326](#) [M83723/78R22327](#) [D38999/24WJ29PA](#) [D38999/26FE99SN L/C](#) [75-474014-07L](#) [88-559975-75P](#)  
[8R3006A18M0033](#) [PT02E1283P](#) [PT05A-14-5SX](#) [PT05A1832SW](#) [PT05E2255PW](#) [PT05SE1832SWLC](#) [PT05SE1832SYLC](#)  
[GTC030-20-27PW-LC](#) [GTC030A-20-33S](#) [PT06SE1811SXLC](#) [1211290078](#) [1211810025](#) [1210120122](#) [ACC06AF-20-23P\(003\)](#) [1210503216](#)  
[1211290084](#) [1211500027](#) [ACS06AF-16-10P\(003\)](#) [D38999/40FB35AN](#) [D38999/40FB35BB](#) [D38999/40WB35BN](#) [D38999/40WD35PN](#)  
[D38999/40WJ29SN-L/C](#) [D38999/40WJ4BN](#) [D38999/42FB35BN](#) [D38999/42WB35AB](#) [D38999/42WB35PB-L/C](#) [D38999/42WJ19AN](#)  
[D38999/42WJ24PN-L/C](#) [D38999/44WB35AN](#) [D38999/44WH21AN](#) [D38999/44WH35AN](#) [D38999/44WJ29BA](#) [D38999/44WJ35PN](#)  
[D38999/44WJ61BA](#) [D38999/46FB35AC](#) [D38999/46FB35SA-L/C](#) [D38999/46FB99BA](#) [D38999/46FJ19SA-L/C](#) [D38999/46FJ29AA](#)  
[D38999/46FJ29AN](#) [D38999/46FJ29PN-L/C](#) [D38999/46FJ61BA](#)