

Circular Connectors C 16-3 Male cable connector size 1; right angled, No. of contacts 8 + PE, 400 V, 12 A

Part No. C016 10K008 002 1

Series Circular Connectors C 16-3

Subseries Circular Connector C 16-3



View represents all available contact positions.

| COMMON CHARACTERISTICS | | |
|--------------------------------|--|-----------------------------|
| No. of contacts | | 8 + PE |
| Version | | size 1; right angled |
| Cable diameter | | 8-10 |
| ELECTRICAL CHARACTERISTICS | | |
| Rated voltage | DIN EN 60664-1 / IEC 60664-1 | 400V |
| Rated impulse voltage | DIN EN 60664-1 / IEC 60664-1 | 6000V |
| Rated current at 40°C | | 12 A |
| Installation category | DIN EN 60664-1 / IEC 60664-1 | III |
| Insulation group | DIN EN 60664-1 / IEC 60664-1 | II |
| Insulation resistance | DIN EN 60512-2, Test 3a / IEC 60512-2, Test 3a | ≥ 10 ⁸ |
| Contact resistance | DIN EN 60512-2, Test 2a / IEC 60512-2 Test 2a | ≤ 5 m |
| Current carrying capacity | DIN EN 60512-3, Test 5b / IEC 60512-2 Test 5b | 12 A |
| Pollution degree | DIN EN 60664-1 / IEC 60664-1 | 3 |
| CLIMATICAL CHARACTERISTICS | | |
| Climatic category | DIN EN 60068-1 / IEC 60068-1 | 40 / 125 / 56 |
| Operating temperature | | -40°C ... +125°C |
| MECHANICAL CHARACTERISTICS | | |
| IP degree of protection | DIN EN 60529 / IEC 60529 | IP 65 |
| Insertion and withdrawal force | DIN EN 60512-13-2, Test 13b / IEC 60512-13-2, Test 13b | ≤ 25 N |
| Mechanical lifetime | DIN EN 60512-9-1, Test 9a | ≥ 500 Steckzyklen |
| Strain relief | | Clamping ring |
| MATERIALS | | |
| Contact plating | | silver plated / gold plated |
| Housing | | Polyamid 6.6 |
| Gasket | | Neoprene |
| Dielectric material | | Polyamid 6.6 |
| FURTHER CHARACTERISTICS | | |
| Termination | | crimp |
| Wire gauge | | 0,14 - 2,5 mm ² |
| Wire gauge (AWG) | | 26 - 14 |
| Flammability | UL 94 | V-0 |
| Locking | | Bayonet |



3964



E63093



48932

Circular Connectors C 16-3 Male cable connector size 1; right angled, No. of contacts 8 + PE, 400 V, 12 A

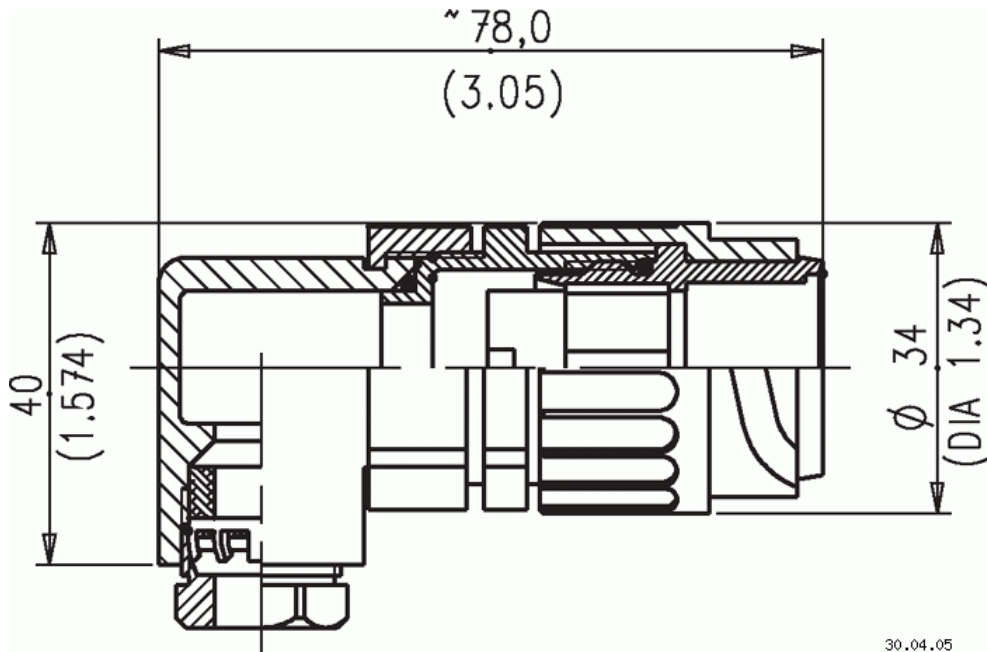
Part No. C016 10K008 002 1

Series Circular Connectors C 16-3

Subseries Circular Connector C 16-3



View represents all available contact positions.



Drawing Dimensions in mm (Inch)

30.04.05

Circular Connectors C 16-3 Male cable connector size 1; right angled, No. of contacts 8 + PE, 400 V, 12 A

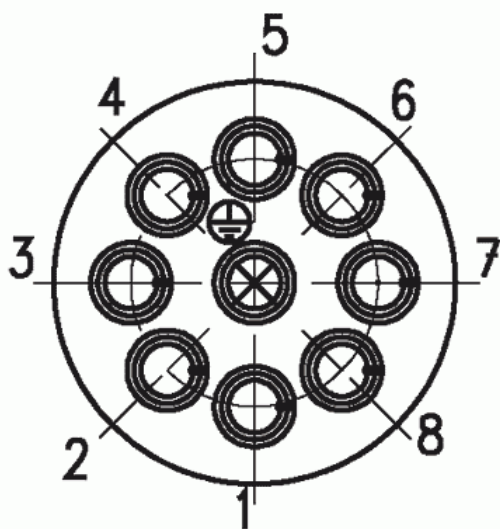
Part No. C016 10K008 002 1

Series Circular Connectors C 16-3

Subseries Circular Connector C 16-3



View represents all available contact positions.



Contact arrangement

30.04.05

X-ON Electronics

Largest Supplier of Electrical and Electronic Components

Click to view similar products for [Circular DIN Connectors](#) category:

Click to view products by [Amphenol](#) manufacturer:

Other Similar products are found below :

[60KD4M](#) [M83723/76W22326](#) [M83723/78R22327](#) [D38999/24WJ29PA](#) [D38999/26FE99SN L/C](#) [75-069228-21J](#) [75-474014-07L](#) [88-559975-75P](#) [8R3006A18M0033](#) [PT02E1283P](#) [GTC00G-24-7S](#) [PT05A-14-5SX](#) [PT05A1832SW](#) [PT05E2255PW](#) [PT05SE1832SWLC](#) [PT05SE1832SYLC](#) [GTC030-20-27PW-LC](#) [GTC030A-20-33S](#) [PT06SE1811SXLC](#) [1211290078](#) [1211810025](#) [1210120122](#) [ACC06AF-20-23P\(003\)](#) [1210503216](#) [1211290084](#) [1211500027](#) [ACS06AF-16-10P\(003\)](#) [D38999/40FB35AN](#) [D38999/40FB35BB](#) [D38999/40WB35BN](#) [D38999/40WD35PN](#) [D38999/40WJ29SN-L/C](#) [D38999/40WJ4BN](#) [D38999/42FB35BN](#) [D38999/42WB35AB](#) [D38999/42WB35PB-L/C](#) [D38999/42WJ19AN](#) [D38999/42WJ24PN-L/C](#) [D38999/44WB35AN](#) [D38999/44WH21AN](#) [D38999/44WH35AN](#) [D38999/44WJ29BA](#) [D38999/44WJ35PN](#) [D38999/44WJ61BA](#) [D38999/46FB35AC](#) [D38999/46FB35BN](#) [D38999/46FB35SA-L/C](#) [D38999/46FB99BA](#) [D38999/46FB99BN](#) [D38999/46FJ19SA-L/C](#)