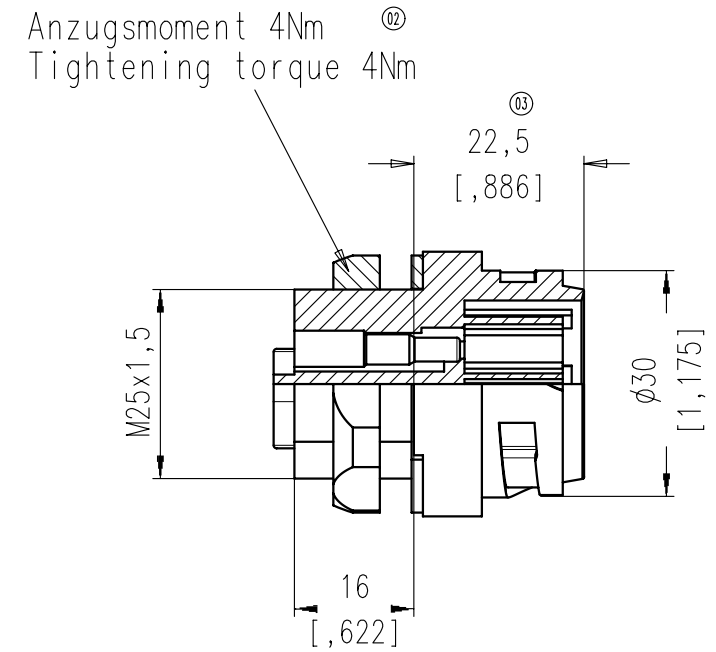
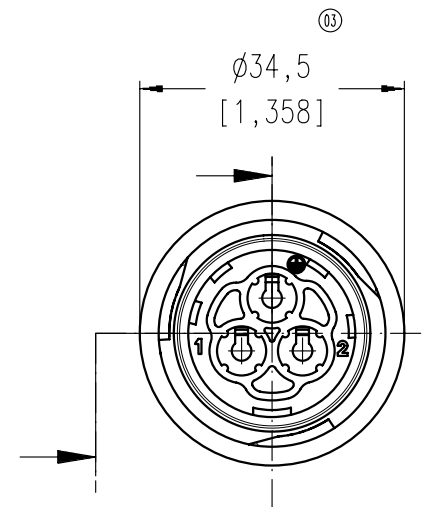
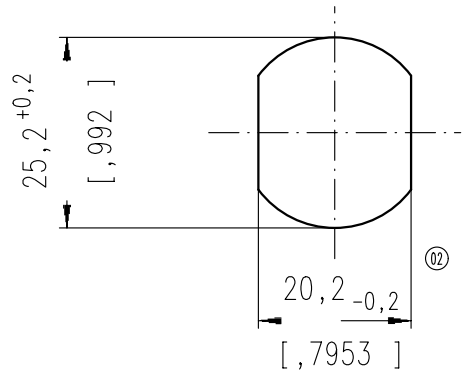


Copying of this document and giving it to others and the use or communication of the contents thereof, are forbidden without express authority. Offenders are liable to the payment of damages. All rights are reserved in the event of the grant of a patent or the registration of the utility model or design.

Polzahl / No. of contacts	2+PE
Anschlußart / Termination	crimpen crimping
Anschlußquerschnitt / Wire gauge	2,5-4 mm ² / AWG 14-10
Bemessungsspannung / Rated insulation voltage	600 V
Strombelastbarkeit bei 4 mm ² / Current carrying capacity for 4 mm ²	36A / +55°C/+131°F
Temperaturbereich Temperature range	-40°C bis +125°C -40°F up to +257°F
Mechanische Lebensdauer Mechanical operations	>250 Steckzyklen >250 mating cycles
Kontaktoberfläche contact plating	Versilbert Silver plated
Schutzart (in gest. Zustand) / Protection Class (when mated)	IP 67
Schutzart (offener Zustand) / Protection Class (unmated)	IP 20
Werkstoff Gehäuse/ Material Housing	PA
Werkstoff Kontaktträger/ Material Insert	PA
Werkstoff Dichtung/ Material Gasket	EPDM
Verschmutzungsgrad / Pollution Degree	3
Überspannungskategorie / Overvoltage Kategorie	III



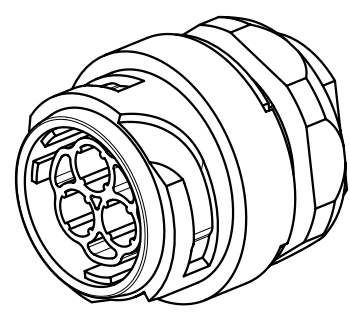
Montageausschnitt
Panel cutout



Crimpkontakt bitte separat bestellen:
Please order crimp contact separately:

N01 025 0043 (2,5-4 mm²)

Secured lock
feature optionally



All technical data have been measured in a laboratory environment and can be different during practical usage of the product. Any product information is for descriptive usage only and not legally binding; particularly the information does not constitute or provide any legal guaranties (Beschaffenheitsgarantie or Haltbarkeitsgarantie)

Alle technischen Daten wurden unter Laborbedingungen ermittelt und können im Praxisbetrieb abweichen. Es handelt sich bei den Angaben weder um Beschaffenheits- noch um Haltbarkeitsgarantien

Masse [errechnet]/Calc WT:	9	Zul. Abw./Tolerances:		Maßstab/Scale	1:1	A3	
Prüfmaß/Testdimension				CUSTOMER DRAWING			
Teileindex Part index number				Gerätestecker Male receptacle			
		11	Datum/Date	Name			
		Gez.	31.01.	Tegda			
		Drawn					
		Gepr.					
		Checked					
03	201300431	20.06.13	RS	Amphenol-Tuchel Electronics GmbH			
02	201200155	06.09.12	Gr.				
01	201000669	31.01.11	FT				
Index	Änderung/Description	Datum/Date	Name	M	C016 10P002 800 1	Blatt/Sheet	1
					Ers. f./Replacement for:	SK 201000669 126	

X-ON Electronics

Largest Supplier of Electrical and Electronic Components

Click to view similar products for [Circular DIN Connectors](#) category:

Click to view products by [Amphenol](#) manufacturer:

Other Similar products are found below :

[60KD4M](#) [CTVP00RW-19-32S\(506\)](#) [M83723/76W22326](#) [M83723/78R22327](#) [D38999/26FE99SN L/C](#) [75-069228-21J](#) [7547401103P](#) [75-474014-07L](#) [88-559975-75P](#) [8R3006A18M0033](#) [PT02E1283P](#) [GTC00G-24-7S](#) [PT05A-14-5SX](#) [PT05A1832SW](#) [PT05E2255PW](#) [PT05SE1832SWLC](#) [PT05SE1832SYLC](#) [GTC030-20-27PW-LC](#) [GTC030A-20-33S](#) [PT06SE1811SXLC](#) [1211290078](#) [1211810025](#) [1210120122](#) [ACC06AF-20-23P\(003\)](#) [1210503216](#) [1211290084](#) [1211500027](#) [ACS06AF-16-10P\(003\)](#) [D38999/40FB35AN](#) [D38999/40FB35BB](#) [D38999/40WB35BN](#) [D38999/40WD35PN](#) [D38999/40WJ29SN-L/C](#) [D38999/40WJ4BN](#) [D38999/42FB35BN](#) [D38999/42WB35AB](#) [D38999/42WB35PB-L/C](#) [D38999/42WJ19AN](#) [D38999/42WJ24PN-L/C](#) [D38999/44WB35AN](#) [D38999/44WD35BN](#) [D38999/44WH21AN](#) [D38999/44WH35AN](#) [D38999/44WJ29BA](#) [D38999/44WJ35PN](#) [D38999/44WJ61BA](#) [D38999/46FB35AC](#) [D38999/46FB35BN](#) [D38999/46FB35SA-L/C](#) [D38999/46FB99BA](#)