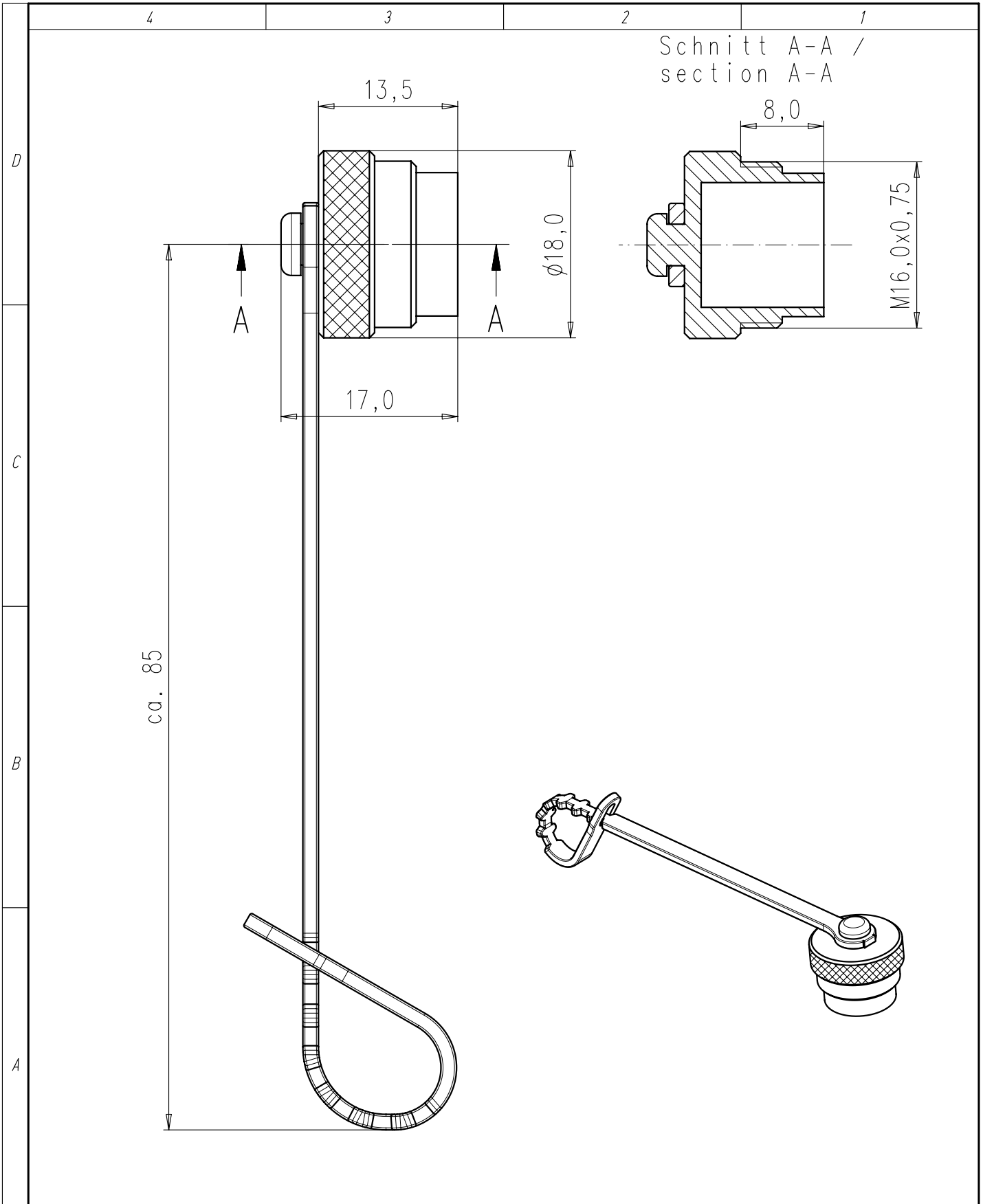


Copying of this document and giving it to others and the use or communication of the contents thereof, are forbidden without express authority. Offenders are liable to the payment of damages. All rights are reserved in the event of the grant of a patent or the registration of the utility model or design.

Weitergabe sowie Vervielfältigung dieser Unterlage, Verwertung und Mitteilung ihres Inhalts nicht gestattet, soweit nicht ausdrücklich zugestanden. Zuwiderhandlungen verpflichten zu Schadensersatz. Alle Rechte für den Fall der Patenterteilung oder Gebrauchsmuster-Eintragung vorbehalten.



| | | | | | | | | | | |
|---------------------------------|----------------------|-----------------------|------------|------------------------|--|---|--|---------------------|--|-------------|
| Gewicht (errechnet)/ Calc WT: 9 | | Zul. Abw./Tolerances: | | Maßstab/Scale 2:1; 1:1 | | A4 | | | | |
| Prüfmaß/Testdimension | | | | DIN 6784 | | CUSTOMER DRAWING | | | | |
| Teileindex Part index number | | | | | | Schutzhülse Buchse female protection cap | | | | |
| | | 10 | Datum/Date | Name | | | | | | |
| | | Gez. | 11.03. | Kim.X | | | | | | |
| | | Drawn | | | | | | | | |
| | | Gepr. | | | | | | | | |
| | | Checked | | | | | | | | |
| | | Amphenol-Tuchel | | | | M | | C091 00V000 120 2 U | | Blatt/Sheet |
| 01 | 201000172 | 11.03.10 | KX | Electronics GmbH | | | | | | 1 |
| Index | Änderung/Description | Datum/Date | Name | | | Ers. f./Similar to: | | | | 1 Bl. |

X-ON Electronics

Largest Supplier of Electrical and Electronic Components

Click to view similar products for [Circular DIN Connectors](#) category:

Click to view products by [Amphenol](#) manufacturer:

Other Similar products are found below :

[60KD4M](#) [M83723/76W22326](#) [M83723/78R22327](#) [D38999/24WJ29PA](#) [D38999/26FE99SN L/C](#) [75-069228-21J](#) [75-474014-07L](#) [88-559975-75P](#) [8R3006A18M0033](#) [PT02E1283P](#) [GTC00G-24-7S](#) [PT05A-14-5SX](#) [PT05A1832SW](#) [PT05E2255PW](#) [PT05SE1832SWLC](#) [PT05SE1832SYLC](#) [GTC030-20-27PW-LC](#) [GTC030A-20-33S](#) [PT06SE1811SXLC](#) [1211290078](#) [1211810025](#) [1210120122](#) [ACC06AF-20-23P\(003\)](#) [1210503216](#) [1211290084](#) [1211500027](#) [ACS06AF-16-10P\(003\)](#) [D38999/40FB35AN](#) [D38999/40FB35BB](#) [D38999/40WB35BN](#) [D38999/40WD35PN](#) [D38999/40WJ29SN-L/C](#) [D38999/40WJ4BN](#) [D38999/42FB35BN](#) [D38999/42WB35AB](#) [D38999/42WB35PB-L/C](#) [D38999/42WJ19AN](#) [D38999/42WJ24PN-L/C](#) [D38999/44WB35AN](#) [D38999/44WH21AN](#) [D38999/44WH35AN](#) [D38999/44WJ29BA](#) [D38999/44WJ35PN](#) [D38999/44WJ61BA](#) [D38999/46FB35AC](#) [D38999/46FB35BN](#) [D38999/46FB35SA-L/C](#) [D38999/46FB99BA](#) [D38999/46FB99BN](#) [D38999/46FJ19SA-L/C](#)