

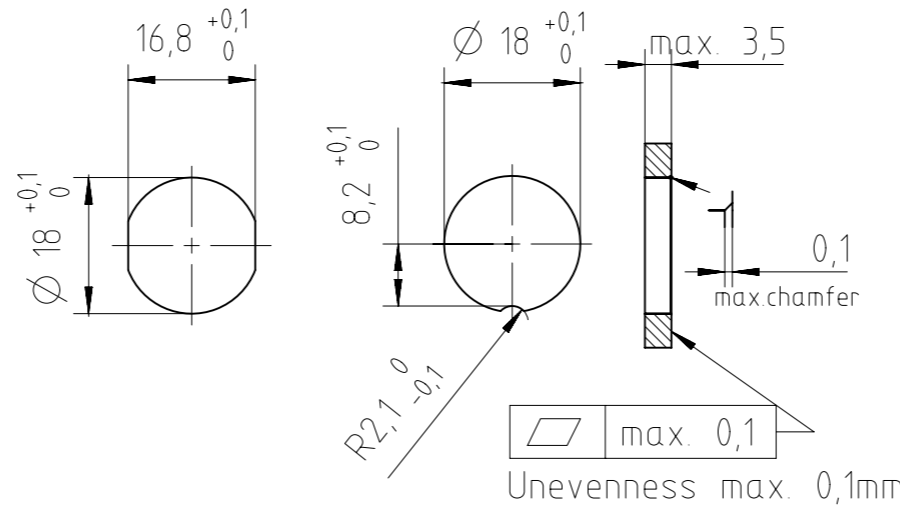
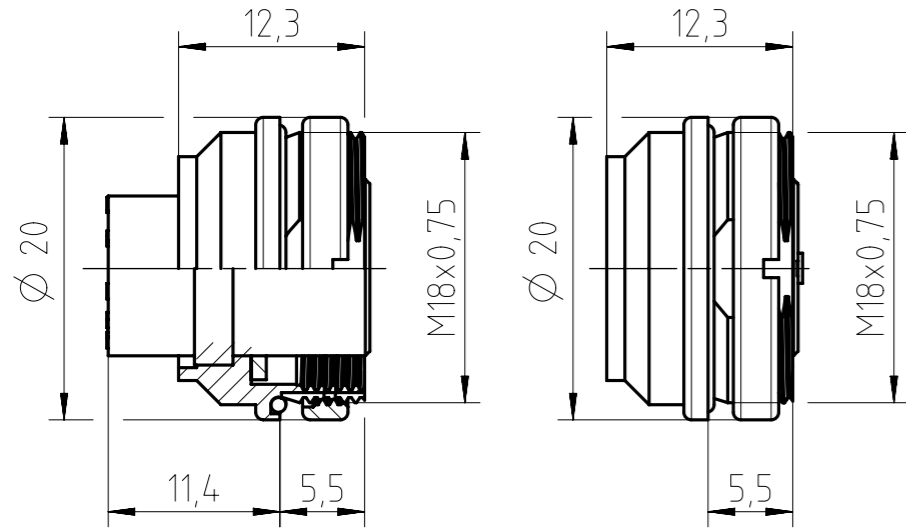
Panel Cutout M1:1

Valid for contact arrangement:  
05b, 07b, 08a, 12a, 14a

Valid for contact arrangement:  
03a, 04a, 05a, 06a, 07a

Alternative 1

Alternative 2



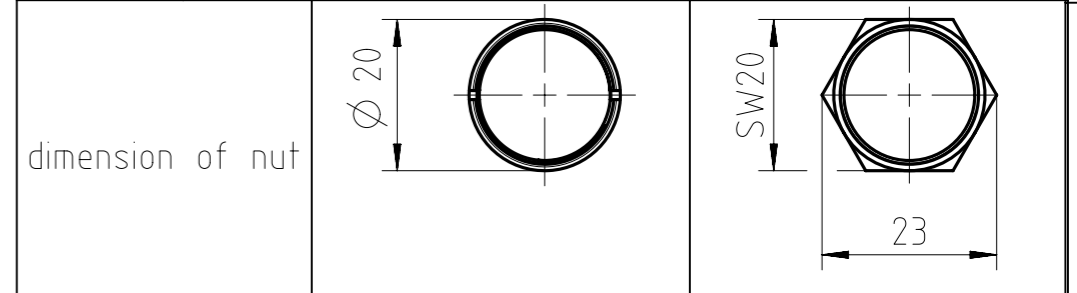
shown with ring nut

Recommended roughness sealing surface Rz6,3 (Ra0,8)

|   |                                   |   |                   |                   |                   |                 |                                      |                 |      |      |      |  |
|---|-----------------------------------|---|-------------------|-------------------|-------------------|-----------------|--------------------------------------|-----------------|------|------|------|--|
| Number of contacts                            | Standard                          | 3   | 4                 | 5                 | 5S                | 6               | 7                                    | 7               | 8    | 12   | 14   |  |
| Contact arrangement                           | DIN EN 61076-2-106                | 03-a  | 04-a              | 05-a              | 05-b              | 06-a            | 07-a                                 | 07-b            | 08-a | 12-a | 14-a |  |
| Contact arrangement                           | IEC 60130-9 <sup>1)</sup>         |   |                   |                   |                   |                 |                                      |                 |      |      |      |  |
| Rated voltage <sup>2)</sup>                   | IEC 60664-1                       | 300 V<br>(100 V)  | 300 V<br>(63 V)   | 100 V<br>(32 V)   | 300 V<br>(63 V)   | 100 V<br>(32 V) | 150 V<br>(32 V)                      |                 |      |      |      |  |
| Rated voltage                                 | UL 1977                           | 250 V   |                   |                   |                   |                 |                                      | 60 V            |      |      |      |  |
| Rated impulse withstand voltage <sup>2)</sup> | IEC 60664-1                       | 1500 V<br>(840 V)   | 1200 V<br>(500 V) | 1500 V<br>(840 V) | 1200 V<br>(500 V) |                 |                                      |                 |      |      |      |  |
| Pollution degree <sup>2)</sup>                | IEC 60664-1                       | 1 (3 <sup>3)</sup> )  |                   |                   |                   |                 |                                      |                 |      |      |      |  |
| Installation category                         | IEC 60664-1                       | I   |                   |                   |                   |                 |                                      |                 |      |      |      |  |
| Insulation group                              | IEC 60664-1                       | II, 400 ≤ CTI < 600   |                   |                   |                   |                 |                                      |                 |      |      |      |  |
| Current rating                                | IEC 60512-5-2<br>UL 1977          | 10A/+40°C   | 7A/+40°C/+104°F   |                   |                   |                 |                                      | 3A/+40°C/+104°F |      |      |      |  |
| Insulation resistance                         | IEC 60512-3-1                     | >10 <sup>10</sup> Ohm <sup>4)</sup>   |                   |                   |                   |                 |                                      |                 |      |      |      |  |
| Contact resistance                            | IEC 60512-2-1                     | <5m Ohm   |                   |                   |                   |                 |                                      |                 |      |      |      |  |
| Climatic category                             | IEC 60668-1                       | 40 / 100 / 56   |                   |                   |                   |                 |                                      |                 |      |      |      |  |
| Temperatur range                              | IEC 60668-1                       | -40°C...+100°C / -40°F...+212°F   |                   |                   |                   |                 |                                      |                 |      |      |      |  |
| salt spray resistance                         | DIN IEC 60068-2-11                | 720h  |                   |                   |                   |                 |                                      |                 |      |      |      |  |
| IP degree                                     | IEC 60529                         | IP 69K / IP 67 / IP 65 (in mated condition)   |                   |                   |                   |                 |                                      |                 |      |      |      |  |
| Insertion and withdrawal force                | IEC 60512-13-2                    | 25N   | 30N               | 35N               | 50N               | 55N             | 60N                                  | 50N             |      |      |      |  |
| Mechanical operation                          | IEC 60512-9-1                     | silver ≥500 mating cycles<br>gold ≥1000 mating cycles   |                   |                   |                   |                 |                                      |                 |      |      |      |  |
| Housing material                              |                                   | brass and / or zinc die cast, nickel plated   |                   |                   |                   |                 |                                      |                 |      |      |      |  |
| Dielectric material                           |                                   | thermoplastic   |                   |                   |                   |                 |                                      |                 |      |      |      |  |
| Contacts                                      |                                   | silver or gold plated, please order contacts separately acc. to drawing<br>M-N 02 015 00XX X (3-8pol) or M-N 02 010 0157 X U (12-14pol) |                   |                   |                   |                 |                                      |                 |      |      |      |  |
| Termination technique                         |                                   | crimp   |                   |                   |                   |                 |                                      |                 |      |      |      |  |
| Wire gauge                                    |                                   | 2-6 pol (exclusive 5S): 0,09-1,0mm <sup>2</sup> / 28-18 AWG   |                   |                   |                   |                 | 0,09-0,25mm <sup>2</sup> / 28-24 AWG |                 |      |      |      |  |
| Flamability                                   |                                   | UL 94 V0  |                   |                   |                   |                 |                                      |                 |      |      |      |  |
| locking system                                | IEC 60130-9<br>DIN EN 61076-2-106 | metal screw coupling; tightening torque 1,0-1,5Nm   |                   |                   |                   |                 |                                      |                 |      |      |      |  |

|  |              |                     |                     |
|--|--------------|---------------------|---------------------|
|  | 14<br>(14-a) | C091 11G014 000 2 U | C091 11G014 009 2 U |
|  | 12<br>(12-a) | C091 11G012 000 2 U | C091 11G012 009 2 U |
|  | 8<br>(08-a)  | C091 11G008 000 2 U | C091 11G008 009 2 U |
|  | 7<br>(07-b)  | C091 11G107 000 2 U | C091 11G107 009 2 U |
|  | 7<br>(07-a)  | C091 11G007 000 2 U | C091 11G007 009 2 U |
|  | 6<br>(06-a)  | C091 11G006 000 2 U | C091 11G006 009 2 U |
|  | 5<br>(05-b)  | C091 11G105 000 2 U | C091 11G105 009 2 U |
|  | 5<br>(05-a)  | C091 11G005 000 2 U | C091 11G005 009 2 U |
|  | 4<br>(04-a)  | C091 11G004 000 2 U | C091 11G004 009 2 U |
|  | 3<br>(03-a)  | C091 11G003 000 2 U | C091 11G003 009 2 U |

|   |                    |                                 |                                     |
|---|--------------------|---------------------------------|-------------------------------------|
| Contact arrangement View on mating side | Number of contacts | type-number-crimp with ring nut | type-number-crimp with hex nut SW20 |
|---|--------------------|---------------------------------|-------------------------------------|



|  |  |   |       |
|--|--|---|-------|
| Gewicht (errechnet) / Calc WT:                 | Zul. Abw./Tolerances:                  | Maßstab / Scale: 2:1;1:1                              | A3    |
| Prüfmaß / Testdimension                        | ISO 2768-c                             | CUSTOMER DRAWING                                      |       |
| Teileindex / Partindexnumber:                  | DIN / ISO 13715                        | Gerätedose  |       |
| Bagatelle change:                              | Gez. 12.03.2020                        | female receptacle                                     |       |
|  | Drawn MCARLE                           |   |       |
|  | Status Released                        |   |       |
|  | Gepr. 30.04.2020                       |   |       |
|  | Checked MGRIMM                         |   |       |
|  | <b>Amphenol Tuchel Industrial GmbH</b> | Blatt / Sheet 1                                       |       |
| 01 202000001 30.04.2020 MCARLE                 |  | M C091 11GXXX 00X 2 U                                 | 1 Bl. |
| Index Änderung / Description Datum / Date Name |  | Ers. f. / Replacement for: M-C091 11GXXX 000 2 Rev.02 |       |

Copying of this document and giving it to others and the use or communication of the contents thereof, are forbidden without express authority. Offenders are liable to the payment of damages. All rights are reserved in the event of the grant of a patent or the registration of the utility model or design.

<sup>1)</sup> Edition 2000-05  
<sup>2)</sup> values in brackets are according to DIN EN 61076-2-106  
<sup>3)</sup> designed acc. pollution degree 2; can be used under pollution degree 3 when the rules of IEC 60644-1 are fulfilled  
<sup>4)</sup> under operating conditions >10<sup>8</sup> Ohm  
 All technical data have been measured in a laboratory environment and can be different during practical usage of the product. Any product information is for descriptive usage only and not legally binding; particularly the information does not constitute or provide any legal guaranties. Do not connect or disconnect under load. Metal housing parts shall be securely incorporated to protected ground. Parts according to directive 2002/95/EG (RoHS).

FAI2020-000920  
 NXM-V01

## X-ON Electronics

Largest Supplier of Electrical and Electronic Components

*Click to view similar products for [Circular DIN Connectors](#) category:*

*Click to view products by [Amphenol](#) manufacturer:*

Other Similar products are found below :

[60KD4M](#) [M83723/76W22326](#) [M83723/78R22327](#) [D38999/24WJ29PA](#) [D38999/26FE99SN L/C](#) [75-069228-21J](#) [75-474014-07L](#) [88-559975-75P](#) [8R3006A18M0033](#) [PT02E1283P](#) [GTC00G-24-7S](#) [PT05A-14-5SX](#) [PT05A1832SW](#) [PT05E2255PW](#) [PT05SE1832SWLC](#) [PT05SE1832SYLC](#) [GTC030-20-27PW-LC](#) [GTC030A-20-33S](#) [PT06SE1811SXLC](#) [1211290078](#) [1211810025](#) [1210120122](#) [ACC06AF-20-23P\(003\)](#) [1210503216](#) [1211290084](#) [1211500027](#) [ACS06AF-16-10P\(003\)](#) [D38999/40FB35AN](#) [D38999/40FB35BB](#) [D38999/40WB35BN](#) [D38999/40WD35PN](#) [D38999/40WJ29SN-L/C](#) [D38999/40WJ4BN](#) [D38999/42FB35BN](#) [D38999/42WB35AB](#) [D38999/42WB35PB-L/C](#) [D38999/42WJ19AN](#) [D38999/42WJ24PN-L/C](#) [D38999/44WB35AN](#) [D38999/44WH21AN](#) [D38999/44WH35AN](#) [D38999/44WJ29BA](#) [D38999/44WJ35PN](#) [D38999/44WJ61BA](#) [D38999/46FB35AC](#) [D38999/46FB35BN](#) [D38999/46FB35SA-L/C](#) [D38999/46FB99BA](#) [D38999/46FB99BN](#) [D38999/46FJ19SA-L/C](#)