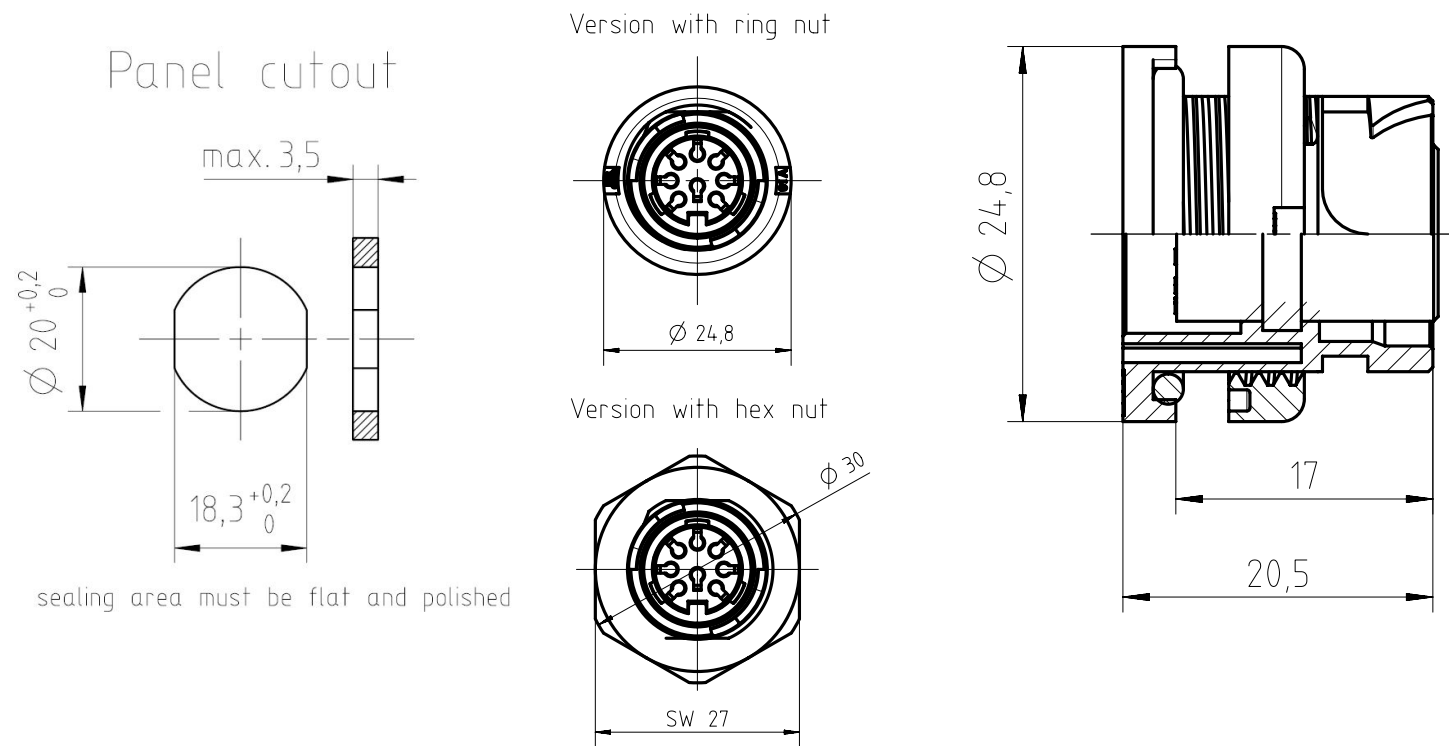


Copying of this document and giving it to others and the use or communication of the contents thereof, are forbidden without express authority. Offenders are liable to the payment of damages. All rights are reserved in the event of the grant of a patent or the registration of the utility model or design.



|                                 |                 |  |                          |                         |                          |      |      |      |                          |      |      |
|---------------------------------|-----------------|--|--------------------------|-------------------------|--------------------------|------|------|------|--------------------------|------|------|
| Number of contacts              | Standard        | 3  | 4                        | 5                       | 5                        | 6    | 7    | 7    | 8                        | 12   | 14   |
| Contact arrangement             | IEC 61076-2-106 | 03-a   | 04-a                     | 05-a                    | 05-b                     | 06-a | 07-a | 07-b | 08-a                     | 12-a | 14-a |
| Rated voltage                   | IEC 60664-1     | 150 V  | 100 V                    | 32 V                    | 100 V                    | 32 V |      |      |                          |      |      |
| Rated impulse withstand voltage | IEC 60664-1     | 1500 V   | 800 V                    | 1500 V                  | 800 V                    |      |      |      |                          |      |      |
| Pollution degree                | IEC 60664-1     | 3 <sup>n</sup>   |                          |                         |                          |      |      |      |                          |      |      |
| Installation category           | IEC 60664-1     | I  |                          |                         |                          |      |      |      |                          |      |      |
| Insulation group                | IEC 60664-1     | II, 400 ≤ CTI < 600  |                          |                         |                          |      |      |      |                          |      |      |
| Current rating                  | IEC 60512-5-3   | 10A/+40°C  | 7A/+40°C                 |                         |                          |      |      |      | 3A/+40°C                 |      |      |
| Insulation resistance           | IEC 60512-3-1   | >10 <sup>10</sup> Ohm <sup>2)</sup>  |                          |                         |                          |      |      |      |                          |      |      |
| Contact resistance              | IEC 60512-2-1   | <5mOhm   |                          |                         |                          |      |      |      |                          |      |      |
| Climatic category               | IEC 60668-1     | 40 / 100 / 21  |                          |                         |                          |      |      |      |                          |      |      |
| Temperatur range                |                 | -40°C...+100°C / -40°F...+212°F  |                          |                         |                          |      |      |      |                          |      |      |
| IP degree                       | IEC 60529       | IP 68 (in mated condition)   |                          |                         |                          |      |      |      |                          |      |      |
| Insertion and withdrawal force  | IEC 60512-13-2  | 25N  | 30N                      | 35N                     | 35N                      | 50N  | 55N  | 55N  | 60N                      | 50N  | 50N  |
| mechanical operation            | IEC 60512-9-1   | ≥500 mating cycles   |                          |                         |                          |      |      |      |                          |      |      |
| material housing                |                 | thermoplastic  |                          |                         |                          |      |      |      |                          |      |      |
| dielectric material             |                 | thermoplastic  |                          |                         |                          |      |      |      |                          |      |      |
| sealing material                |                 | chloroprene, silicone  |                          |                         |                          |      |      |      |                          |      |      |
| contacts                        |                 | silver or gold plated, please order contacts separately acc. to drawing M-N 02 015 00XX X (3-8pol) or M-N 02 010 0158 X (12-14pol) |                          |                         |                          |      |      |      |                          |      |      |
| termination technique           |                 | crimp  |                          |                         |                          |      |      |      |                          |      |      |
| wire gauge                      |                 | 0,09-1,0mm <sup>2</sup>  | 0,09-0,75mm <sup>2</sup> | 0,09-1,0mm <sup>2</sup> | 0,09-0,75mm <sup>2</sup> |      |      |      | 0,09-0,25mm <sup>2</sup> |      |      |
| flamability                     |                 | UL 94 V0   |                          |                         |                          |      |      |      |                          |      |      |
| locking system                  |                 | Quicklock System   |                          |                         |                          |      |      |      |                          |      |      |

<sup>1)</sup> designed according pollution degree 2, can be used under pollution degree 3 if the rules according IEC 60664-1 are fulfilled  
<sup>2)</sup> under operating conditions >10<sup>8</sup> Ohm  
 Do not connect or disconnect under load. Metal housing parts shall be securely incorporated to protected ground.  
 All technical data have been measured in a laboratory environment and can be different during practical usage of the product. Any product information is for descriptive usage only and not legally binding, particularly the information does not constitute or provide any legal guarantees ("Beschaffenheitsgarantie" or "Haltbarkeitsgarantie").

|  |              |                     |                     |
|--|--------------|---------------------|---------------------|
|  | 14<br>(14-a) | C091 11G014 000 5 U | C091 11G014 009 5 U |
|  | 12<br>(12-a) | C091 11G012 000 5 U | C091 11G012 009 5 U |
|  | 8<br>(08-a)  | C091 11G008 000 5 U | C091 11G008 009 5 U |
|  | 7<br>(07-b)  | C091 11G107 000 5 U | C091 11G107 009 5 U |
|  | 7<br>(07-a)  | C091 11G007 000 5 U | C091 11G007 009 5 U |
|  | 6<br>(06-a)  | C091 11G006 000 5 U | C091 11G006 009 5 U |
|  | 5<br>(05-b)  | C091 11G105 000 5 U | C091 11G105 009 5 U |
|  | 5<br>(05-a)  | C091 11G005 000 5 U | C091 11G005 009 5 U |
|  | 4<br>(04-a)  | C091 11G004 000 5 U | C091 11G004 009 5 U |
|  | 3<br>(03-a)  | C091 11G003 000 5 U | C091 11G003 009 5 U |

|  |  |   |                             |
|--|--|---|-----------------------------|
| Contact arrangement<br>View on mating side | Number of contacts<br>(Contact arrangement acc. IEC 61076-2-106) | Part number<br>with ring nut                        | Part number<br>with hex nut |
| Gewicht (errechnet) / Calc WT:             |  | Zul. Abw./Tolerances:                               |                             |
| Prüfmäß / Testdimension                    |  | ± 0,50  |                             |
| Teileindex / Partindexnumber:              |  | DIN / ISO 13715                                     |                             |
| Bagatelle change:                          |  | Maßstab / Scale: 2:1; 1:1                           |                             |
| Gez. 08.01.2021<br>Drawn MCARLE            |  | A3  |                             |
| Status Released                            |  | CUSTOMER DRAWING                                    |                             |
| Gepr. 08.01.2021<br>Checked MBERTSCH       |  | Gerätedose Quicklock<br>Female receptacle Quicklock |                             |
| Amphenol Tuchel Industrial GmbH            |  | Blatt / Sheet 1                                     |                             |
| 01 201800273                               | 08.01.2021 MCARLE  | M C091 11GXXX 00X 5 U                               |                             |
| Index                                      | Änderung / Description   | Datum / Date  | Name                        |
| Ers. f. / Replacement for:                 |  | Blatt / Sheet 1 Bl.                                 |                             |

Weitergabe sowie Vervielfältigung dieser Unterlage, Verwertung und Mitteilung ihres Inhalts nicht gestattet, soweit nicht ausdrücklich zugestanden. Zuwiderhandlungen verpflichten zu Schadenersatz. Alle Rechte für den Fall der Patenterteilung oder Gebrauchsmuster-Eintragung vorbehalten.

## X-ON Electronics

Largest Supplier of Electrical and Electronic Components

*Click to view similar products for [Circular DIN Connectors](#) category:*

*Click to view products by [Amphenol](#) manufacturer:*

Other Similar products are found below :

[M83723/76W22326](#) [M83723/78R22327](#) [D38999/26FE99SN L/C](#) [75-069228-21J](#) [7519021610P](#) [75-190224-28S](#) [75-474014-07L](#)  
[803000A09M040](#) [FGG.1K.314.CLAK75](#) [FGG.3B.304.CYZD62](#) [FGJ.0B.306.CLLD42Z](#) [FRCIR030FP-28-21S](#) [FRCIR030RFP-40A-38P-F80](#)  
[FRCIR06F-20-15S-F80](#) [FRCIR06F-40A-38S-F80](#) [FRCIR06R-14S-6S](#) [FRCIR06R-20-27S](#) [FRCIR08R-20-7S](#) [88-569735-06P](#) [88-569769-19P](#)  
[88-569785-06I](#) [8R3006A18M0033](#) [GTC00G-24-7S](#) [PT05A-14-18SW\(023\)](#) [PT05A-14-5SX](#) [PT05A1832SW](#) [PT05A2041SX](#)  
[GTC030-20-27PW-LC](#) [GTC030A-20-33S](#) [GTC06R20-22P-025-LC](#) [1211290078](#) [1211810025](#) [ACC06AF-20-23P\(003\)](#) [1210503216](#)  
[1211500027](#) [ACS06AF-16-10P\(003\)](#) [D38999/40FB35AN](#) [D38999/40WD35PN](#) [D38999/40WD5AN](#) [D38999/42WB35AB](#)  
[D38999/42WB35PB-L/C](#) [D3899942WF35AN](#) [D38999/44WH21AN](#) [D38999/44WH35AN](#) [D38999/44WJ35PN](#) [12DL6MX](#) [AFD57-22-12S-](#)  
[6141](#) [MS2518324-22S](#) [MS3100F2018SY](#) [MS3100R20-18S](#)