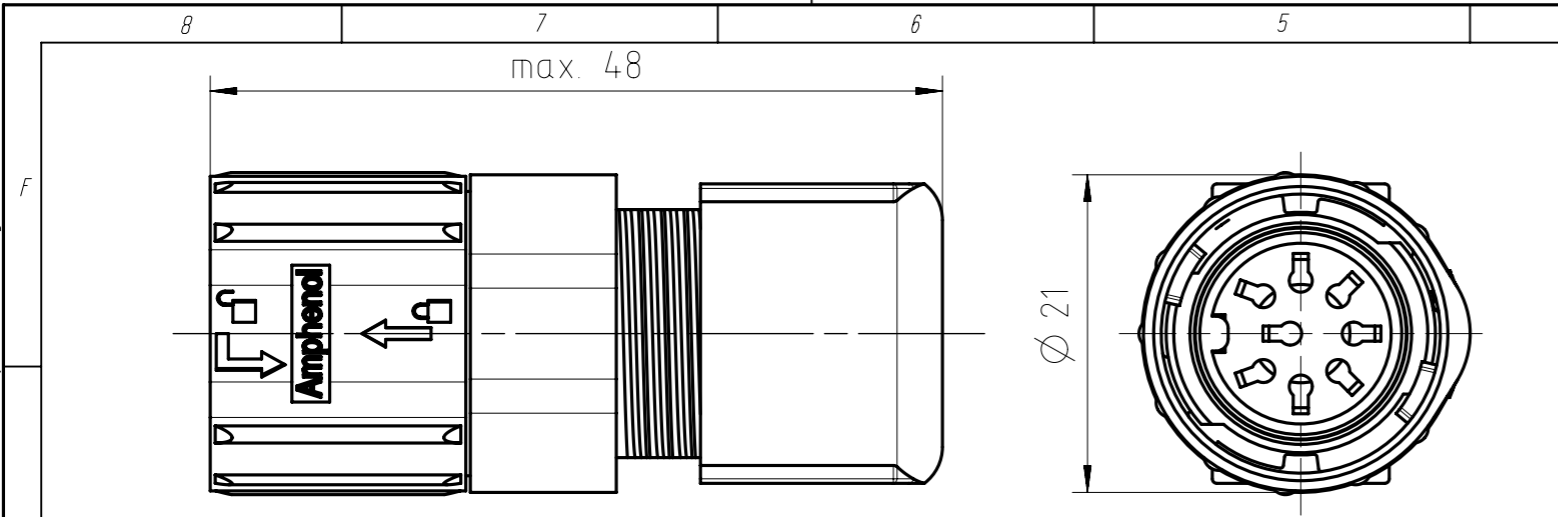


Weitergabe sowie Vervielfältigung dieser Unterlage, Verwertung und Mitteilung ihres Inhalts nicht gestattet, soweit nicht ausdrücklich zugestanden. Zuwiderhandlungen verpflichten zu Schadensersatz. Alle Rechte für den Fall der Patenterteilung oder Gebrauchsmuster-Ertragung vorbehalten.



Assembly instruction see N 22 091 0033 U 04

| | | | |
|--|--------------|---------------------|---------------------|
| | 14 (14-a) | C091 11H014 000 5 U | C091 11H014 002 5 U |
| | 12 (12-a) | C091 11H012 000 5 U | C091 11H012 002 5 U |
| | 8 (08-a) | C091 11H008 000 5 U | C091 11H008 002 5 U |
| | 7 (07-b) | C091 11H107 000 5 U | C091 11H107 002 5 U |
| | 7 (07-a) | C091 11H007 000 5 U | C091 11H007 002 5 U |
| | 6 (06-a) | C091 11H006 000 5 U | C091 11H006 002 5 U |
| | 5 (05-b) | C091 11H105 000 5 U | C091 11H105 002 5 U |
| | 5 (05-a) | C091 11H005 000 5 U | C091 11H005 002 5 U |
| | 4 (04-a) | C091 11H004 000 5 U | C091 11H004 002 5 U |
| | 3 (03-a) | C091 11H003 000 5 U | C091 11H003 002 5 U |

| | | | |
|--|---|--|---|
| Contact arrangement View on mating side | Number of contacts (Contact arrangement acc. DIN EN 61076-2-106) | Part number for cable diameters 4-8,5mm | Part number for cable diameters 8,5-10,5mm |
|--|---|--|---|

| | | | | | | | | | |
|--------------------------------|--|------------------------|--|----------------------|--|---|--|----------------------------|--|
| Gewicht (errechnet) / Calc WT: | | Zul. Abw./Tolerances: | | Maßstab / Scale: 2:1 | | A3 | | | |
| Prüfmaß / Testdimension | | ± 0,50 | | DIN / ISO 13715 | | CUSTOMER DRAWING Kabelstecker Quicklock Male cable connector Quicklock | | | |
| Teileindex / Partindexnumber: | | | | | | | | | |
| Bagatelle change: | | | | | | | | | |
| | | Gez. Drawn | | 19.02.2020 | | | | | |
| | | Status | | Released | | | | | |
| | | Gepr. Checked | | 25.06.2021 | | | | | |
| | | | | MBERTSCH | | | | | |
| 04 | | 201800273 | | 25.06.2021 | | MCARL | | | |
| 03 | | 201800273 | | 17.06.2021 | | MCARL | | | |
| 02 | | 201800273 | | 01.12.2020 | | MCARL | | | |
| 01 | | 201800273 | | 25.02.2020 | | MCARL | | | |
| Index | | Änderung / Description | | Datum / Date | | Name | | | |
| | | | | | | | | Ers. f. / Replacement for: | |

cable sealings included in versions for 4-8,5mm cable diameter



cable sealings included in versions for 8,5-10,5mm cable diameter



| | | | | | | | | | | | |
|---------------------------------|-----------------|---|-------|--------------------------|---------|-------------------------|------|--------------------------|------|--------------------------|------|
| Number of contacts | Standard | 3 | 4 | 5 | 5 | 6 | 7 | 7 | 8 | 12 | 14 |
| Contact arrangement | IEC 61076-2-106 | 03-a | 04-a | 05-a | 05-b | 06-a | 07-a | 07-b | 08-a | 12-a | 14-a |
| Rated voltage | IEC 60664-1 | 150 V | 100 V | 32 V | 100 V | 32 V | | | | | |
| Rated impulse withstand voltage | IEC 60664-1 | 1500 V | | 800 V | 15000 V | 800 V | | | | | |
| Pollution degree | IEC 60664-1 | 3 ⁿ | | | | | | | | | |
| Installation category | IEC 60664-1 | I | | | | | | | | | |
| Insulation group | IEC 60664-1 | II, 400 ≤ CTI < 600 | | | | | | | | | |
| Current rating | IEC 60512-5-3 | 10A/+40°C | | 7A/+40°C | | | | 3A/+40°C | | | |
| Insulation resistance | IEC 60512-3-1 | >10 ¹⁰ Ohm ²⁾ | | | | | | | | | |
| Contact resistance | IEC 60512-2-1 | <5mOhm | | | | | | | | | |
| Climatic category | IEC 60668-1 | 40 / 100 / 21 | | | | | | | | | |
| Temperatur range | | -40°C...+100°C / -40°F...+212°F | | | | | | | | | |
| IP degree | IEC 60529 | IP 68 (in mated condition) | | | | | | | | | |
| Insertion and withdrawal force | IEC 60512-13-2 | 25N | 30N | 35N | 35N | 50N | 55N | 55N | 60N | 50N | 50N |
| mechanical operation | IEC 60512-9-1 | ≥500 mating cycles | | | | | | | | | |
| material housing | | thermoplastic | | | | | | | | | |
| dielectric material | | thermoplastic | | | | | | | | | |
| sealing material | | chloroprene, silicone | | | | | | | | | |
| contacts | | silver or gold plated, please order contacts separately acc to drawing M-N 01 015 00XX X (3-8pol) or M-N 01 010 0158 X (12-14pol) | | | | | | | | | |
| termination technique | | crimp | | | | | | | | | |
| wire gauge | | 0,09-1,0mm ² | | 0,09-0,75mm ² | | 0,09-1,0mm ² | | 0,09-0,75mm ² | | 0,09-0,25mm ² | |
| flamability | | UL 94 V0 | | | | | | | | | |
| locking system | | Quicklock System | | | | | | | | | |

¹⁾ designed according pollution degree 2, can be used under pollution degree 3 if the rules according IEC 60664-1 are fulfilled
²⁾ under operating conditions >10⁸ Ohm
 Do not connect or disconnect under load. Metal housing parts shall be securely incorporated to protected ground.
 All technical data have been measured in a laboratory environment and can be different during practical usage of the product. Any product information is for descriptive usage only and not legally binding, particularly the information does not constitute or provide any legal guaranties ("Beschaffensgarantie" or "Haltbarkeitsgarantie").

FAI2021-002813
NXM-V01

X-ON Electronics

Largest Supplier of Electrical and Electronic Components

Click to view similar products for [Circular DIN Connectors](#) category:

Click to view products by [Amphenol](#) manufacturer:

Other Similar products are found below :

[M83723/76W22326](#) [M83723/78R22327](#) [D38999/26FE99SN L/C](#) [75-069228-21J](#) [7519021610P](#) [75-190224-28S](#) [75-474014-07L](#)
[803000A09M040](#) [FGG.1K.314.CLAK75](#) [FGG.3B.304.CYZD62](#) [FGJ.0B.306.CLLD42Z](#) [FRCIR030FP-28-21S](#) [FRCIR030RFP-40A-38P-F80](#)
[FRCIR06F-20-15S-F80](#) [FRCIR06F-40A-38S-F80](#) [FRCIR06R-14S-6S](#) [FRCIR06R-20-27S](#) [FRCIR08R-20-7S](#) [88-569735-06P](#) [88-569769-19P](#)
[88-569785-06I](#) [8R3006A18M0033](#) [GTC00G-24-7S](#) [PT05A-14-18SW\(023\)](#) [PT05A-14-5SX](#) [PT05A1832SW](#) [PT05A2041SX](#)
[GTC030-20-27PW-LC](#) [GTC030A-20-33S](#) [GTC06R20-22P-025-LC](#) [1211290078](#) [1211810025](#) [ACC06AF-20-23P\(003\)](#) [1210503216](#)
[1211500027](#) [ACS06AF-16-10P\(003\)](#) [D38999/40FB35AN](#) [D38999/40WD35PN](#) [D38999/40WD5AN](#) [D38999/42WB35AB](#)
[D38999/42WB35PB-L/C](#) [D3899942WF35AN](#) [D38999/44WH21AN](#) [D38999/44WH35AN](#) [D38999/44WJ35PN](#) [12DL6MX](#) [AFD57-22-12S-](#)
[6141](#) [MS2518324-22S](#) [MS3100F2018SY](#) [MS3100R20-18S](#)