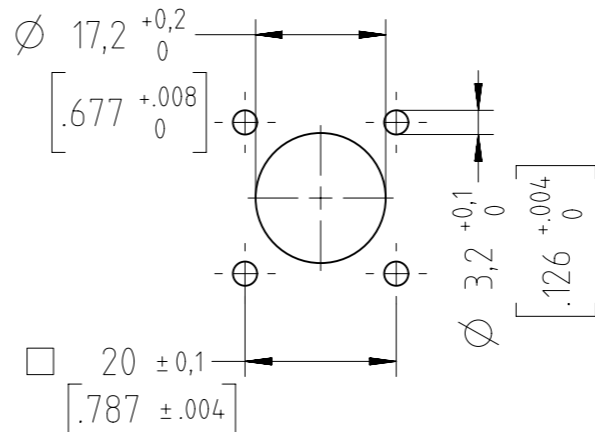


Montageausschnitt M1:1
Panel Cutout



Dichtfläche eben und gratfrei, geeignete Schraubenabdichtung ist vorzusehen / Sealing area must be flat and polished. provide suitable sealing for the screws

max. Überstand der Kontakte 1,0mm
maximum overlap of the contacts 1,0mm

| | | | | | | | | | | | | |
|---|-----------------------------------|---|-------------------|-------------------|-------------------|-----------------|-----------------|--------------------------------------|------|------|------|--|
| Number of contacts | Standard | 3 | 4 | 5 | 5S | 6 | 7 | 7 | 8 | 12 | 14 | |
| Contact arrangement | DIN EN 61076-2-106 | 03-a | 04-a | 05-a | 05-b | 06-a | 07-a | 07-b | 08-a | 12-a | 14-a | |
| Contact arrangement | IEC 60130-9 ¹⁾ | | | | | | | | | | | |
| Rated voltage ²⁾ | IEC 60664-1 | 300 V (100 V) | 300 V (63 V) | 100 V (32 V) | 300 V (63 V) | 100 V (32 V) | 150 V (32 V) | | | | | |
| Rated voltage | UL 1977 | 250 V | | | | | | 60 V | | | | |
| Rated impulse withstand voltage ²⁾ | IEC 60664-1 | 1500 V (840 V) | 1200 V (500 V) | 1500 V (840 V) | 1200 V (500 V) | | | | | | | |
| Pollution degree ²⁾ | IEC 60664-1 | 1 (3 ³⁾) | | | | | | | | | | |
| Installation category | IEC 60664-1 | I | | | | | | | | | | |
| Insulation group | IEC 60664-1 | II, 400 ≤ CTI < 600 | | | | | | | | | | |
| Current rating | IEC 60512-5-2 UL 1977 | 10A/+40°C/+104°F | | 7A/+40°C/+104°F | | | | 3A/+40°C/+104°F | | | | |
| Insulation resistance | IEC 60512-3-1 | >10 ¹⁰ Ohm ⁴⁾ | | | | | | | | | | |
| Contact resistance | IEC 60512-2-1 | <5m Ohm | | | | | | | | | | |
| Climatic category | IEC 60668-1 | 40 / 100 / 56 | | | | | | | | | | |
| Temperatur range | IEC 60668-1 | -40°C...+100°C / -40°F...+212°F | | | | | | | | | | |
| salt spray resistance | DIN IEC 60068-2-11 | 720h | | | | | | | | | | |
| IP degree | IEC 60529 | IP 69K / IP 67 / IP 65 (in mated condition) | | | | | | | | | | |
| Insertion and withdrawal force | IEC 60512-13-2 | 25N | 30N | 35N | 50N | 55N | 60N | 50N | | | | |
| Mechanical operation | IEC 60512-9-1 | silver ≥500 mating cycles gold ≥1000 mating cycles | | | | | | | | | | |
| Housing material | | brass and / or zinc die cast, nickel plated | | | | | | | | | | |
| Dielectric material | | thermoplastic | | | | | | | | | | |
| Contacts | | silver or gold plated, please order contacts separately acc. to drawing M-N 01 015 00XX X (3-8pol) or M-N 01 010 0158 X U (12-14pol) | | | | | | | | | | |
| Termination technique | | solder, crimp | | | | | | | | | | |
| Wire gauge | | 2-6 pol (exclusive 5S): 0,09-1,0mm ² / 28-18 AWG | | | | | | 0,09-0,25mm ² / 28-24 AWG | | | | |
| Flamability | | UL 94 VO | | | | | | | | | | |
| locking system | IEC 60130-9 DIN EN 61076-2-106 | metal screw coupling; tightening torque 1,0 - 1,5 Nm | | | | | | | | | | |

¹⁾ Edition 2000-05
²⁾ values in brackets are according to DIN EN 61076-2-106
³⁾ designed acc. pollution degree 2; can be used under pollution degree 3 when the rules of IEC 60664-1 are fulfilled
⁴⁾ under operating conditions >10⁸ Ohm
⁵⁾ Remark for gold plated contacts: In order to avoid brittle inter-metallic connections, gold-plated terminals have to be tin-plated in the solder area.

All technical data have been measured in a laboratory environment and can be different during practical usage of the product. Any product information is for descriptive usage only and not legally binding; particularly the information does not constitute or provide any legal guaranties. Do not connect or disconnect under load. Metal housing parts shall be securely incorporated to protected ground. Parts according to directive 2002/95/EG (RoHS).

| | | |
|--|---|---------------------|
| | 14 (14-a) | C091 11S014 000 2 U |
| | 12 (12-a) | C091 11S012 000 2 U |
| | 8 (08-a) | C091 11S008 000 2 U |
| | 7 (07-b) | C091 11S107 000 2 U |
| | 7 (07-a) | C091 11S007 000 2 U |
| | 6 (6-a) | C091 11S006 000 2 U |
| | 5 (05-b) | C091 11S105 000 2 U |
| | 5 (05-a) | C091 11S005 000 2 U |
| | 4 (04-a) | C091 11S004 000 2 U |
| | 3 (03-a) | C091 11S003 000 2 U |
| Contact arrangement View on mating side | Number of contacts (Contact arrangement acc. DIN EN 61076-2-106) | Part number |

| | | | | |
|---|-----------------------|------------------------------------|-------|---|
| Gewicht (errechnet) / Calc WT: 0,014 kg | Zul. Abw./Tolerances: | Maßstab / Scale: 2:1; 1:1 | A3 | |
| Prüfmaß / Testdimension | | CUSTOMER DRAWING | | |
| Teileindex Partindexnumber | | | | |
| Datum/Date | Name | Male receptacle Male receptacle | | |
| 08.06.2016 | RSCHÄ | | | |
| Status: Released Inspector: 07.07.2016 MGRIM | | M C091 11SXXX 000 2 U | | |
| Amphenol-Tuchel Electronics GmbH | | | | |
| 03 | 201600320 | 08.06.2016 | RSCHÄ | Blatt/Sheet 1 |
| Index | Änderung/Description | Datum/Date | Name | 1 Bl. |
| | | 4.033.377 | | Ers. f. l. Replacement for: M-C091 11SXXX 000 2 U Rev02 |

Weitergabe sowie Vervielfältigung dieser Unterlage, Verwertung und Mitteilung ihres Inhalts nicht gestattet, soweit nicht ausdrücklich zugestanden. Zuwiderhandlungen verpflichten zu Schadenersatz. Alle Rechte für den Fall der Patenterteilung oder Gebrauchsmuster-Eintragung vorbehalten.

X-ON Electronics

Largest Supplier of Electrical and Electronic Components

Click to view similar products for [Circular DIN Connectors](#) category:

Click to view products by [Amphenol](#) manufacturer:

Other Similar products are found below :

[60KD4M](#) [M83723/76W22326](#) [M83723/78R22327](#) [D38999/24WJ29PA](#) [D38999/26FE99SN L/C](#) [75-474014-07L](#) [88-559975-75P](#)
[8R3006A18M0033](#) [PT02E1283P](#) [PT05A-14-5SX](#) [PT05A1832SW](#) [PT05E2255PW](#) [PT05SE1832SWLC](#) [PT05SE1832SYLC](#)
[GTC030-20-27PW-LC](#) [GTC030A-20-33S](#) [PT06SE1811SXLC](#) [1211290078](#) [1211810025](#) [1210120122](#) [ACC06AF-20-23P\(003\)](#) [1210503216](#)
[1211290084](#) [1211500027](#) [ACS06AF-16-10P\(003\)](#) [D38999/40FB35AN](#) [D38999/40FB35BB](#) [D38999/40WB35BN](#) [D38999/40WD35PN](#)
[D38999/40WJ29SN-L/C](#) [D38999/40WJ4BN](#) [D38999/42FB35BN](#) [D38999/42WB35AB](#) [D38999/42WB35PB-L/C](#) [D38999/42WJ19AN](#)
[D38999/42WJ24PN-L/C](#) [D38999/44WB35AN](#) [D38999/44WH21AN](#) [D38999/44WH35AN](#) [D38999/44WJ29BA](#) [D38999/44WJ35PN](#)
[D38999/44WJ61BA](#) [D38999/46FB35AC](#) [D38999/46FB35SA-L/C](#) [D38999/46FB99BA](#) [D38999/46FJ19SA-L/C](#) [D38999/46FJ29AA](#)
[D38999/46FJ29AN](#) [D38999/46FJ29PN-L/C](#) [D38999/46FJ61BA](#)