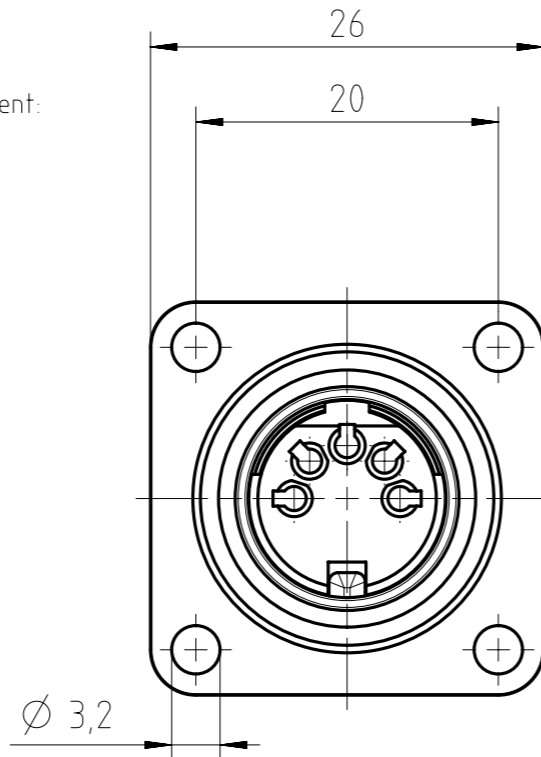
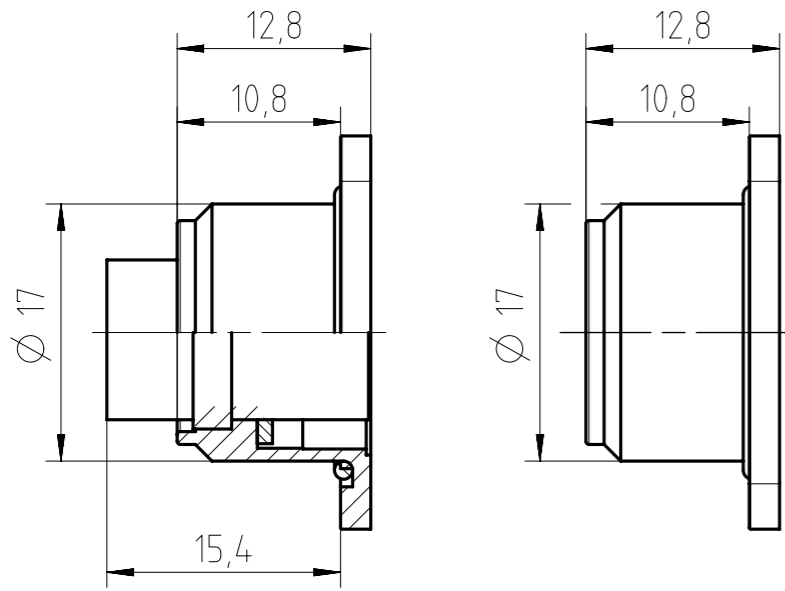
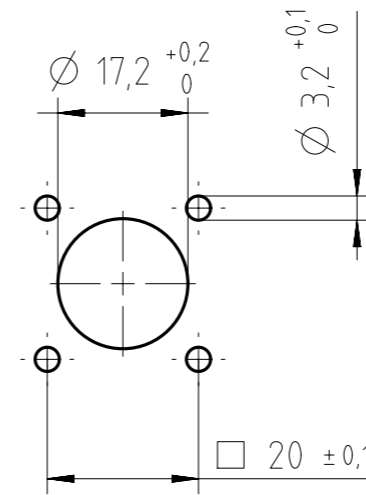


Valid for contact arrangement: 05b, 07b, 08a, 12a, 14a
Valid for contact arrangement: 03a, 04a, 05a, 06a, 07a



Panel Cutout



Sealing area must be flat and polished. Provide suitable sealing for the screws.

| | | |
|--|---|---------------------|
| | 14 (14-a) | C091 11T014 000 2 U |
| | 12 (12-a) | C091 11T012 000 2 U |
| | 8 (08-a) | C091 11T008 000 2 U |
| | 7 (07-b) | C091 11T107 000 2 U |
| | 7 (07-a) | C091 11T007 000 2 U |
| | 6 (06-a) | C091 11T006 000 2 U |
| | 5 (05-b) | C091 11T105 000 2 U |
| | 5 (05-a) | C091 11T005 000 2 U |
| | 4 (04-a) | C091 11T004 000 2 U |
| | 3 (03-a) | C091 11T003 000 2 U |
| Contact arrangement View on mating side | Number of contacts (Contact arrangement acc. IEC 61076-2-106) | Part number |

| | | | | | | | | | | | |
|---|-----------------------------------|---|-----------------|-------------------|-------------------|------|--------------------------------------|-----------------|-----------------|-----------------|------|
| Number of contacts | Standard | 3 | 4 | 5 | 5S | 6 | 7 | 7 | 8 | 12 | 14 |
| Contact arrangement | DIN EN 61076-2-106 | 03-a | 04-a | 05-a | 05-b | 06-a | 07-a | 07-b | 08-a | 12-a | 14-a |
| Contact arrangement | IEC 60130-9 ¹⁾ | | | | | | | | | | |
| Rated voltage ²⁾ | IEC 60664-1 | 300 V (100 V) | 300 V (63 V) | 100 V (32 V) | 300 V (63 V) | | | 100 V (32 V) | | 150 V (32 V) | |
| Rated voltage | UL 1977 | 250 V | | | | | | 60 V | | | |
| Rated impulse withstand voltage ²⁾ | IEC 60664-1 | 1500 V (840 V) | | 1200 V (500 V) | 1500 V (840 V) | | 1200 V (500 V) | | | | |
| Pollution degree ²⁾ | IEC 60664-1 | 1 (3 ³⁾) | | | | | | | | | |
| Installation category | IEC 60664-1 | I | | | | | | | | | |
| Insulation group | IEC 60664-1 | II, 400 ≤ CTI < 600 | | | | | | | | | |
| Current rating | IEC 60512-5-2 UL 1977 | 10A/+40°C | | 7A/+40°C/+104°F | | | | | 3A/+40°C/+104°F | | |
| Insulation resistance | IEC 60512-3-1 | >10 ¹⁰ Ohm ⁴⁾ | | | | | | | | | |
| Contact resistance | IEC 60512-2-1 | <5m Ohm | | | | | | | | | |
| Climatic category | IEC 60668-1 | 40 / 100 / 56 | | | | | | | | | |
| Temperatur range | IEC 60668-1 | -40°C...+100°C / -40°F...+212°F | | | | | | | | | |
| salt spray resistance | DIN IEC 60068-2-11 | 720h | | | | | | | | | |
| IP degree | IEC 60529 | IP 69K / IP 67 / IP 65 (in mated condition) | | | | | | | | | |
| Insertion and withdrawal force | IEC 60512-13-2 | 25N | 30N | 35N | 50N | 55N | 60N | 50N | | | |
| Mechanical operation | IEC 60512-9-1 | silver ≥500 mating cycles gold ≥1000 mating cycles | | | | | | | | | |
| Housing material | | brass and / or zinc die cast, nickel plated | | | | | | | | | |
| Dielectric material | | thermoplastic | | | | | | | | | |
| Contacts | | silver or gold plated, please order contacts separately acc. to drawing M-N 02 015 00XX X (3-8pol) or M-N 02 010 0157 X U (12-14pol) | | | | | | | | | |
| Termination technique | | crimp | | | | | | | | | |
| Wire gauge | | 2-6 pol (exclusive 5S): 0,09-1,0mm ² / 28-18 AWG | | | | | 0,09-0,25mm ² / 28-24 AWG | | | | |
| Flamability | | UL 94 V0 | | | | | | | | | |
| locking system | IEC 60130-9 DIN EN 61076-2-106 | metal screw coupling; tightening torque 1,0-1,5Nm | | | | | | | | | |

| | | | | | |
|--|--|-----------------------|-----|-------|--|
| Gewicht (errechnet) / Calc WT: | Zul. Abw./Tolerances: | Maßstab / Scale: | 2:1 | A3 | |
| Prüfmaß / Testdimension | ISO 2768-c | CUSTOMER DRAWING | | | |
| Teileindex / Partindexnumber: | DIN / ISO 13715 | female receptacle | | | |
| Bagatelle change: | Gez. 23.04.2020 | Gerätedose | | | |
| | Drawn MCARLE | | | | |
| | Status Released | | | | |
| | Gepr. 30.04.2020 | | | | |
| | Checked MGRIMM | | | | |
| | Amphenol Tuchel Industrial GmbH | Blatt / Sheet 1 | | | |
| 03 202000001 | 30.04.2020 MCARLE | M C091 11TXXX 000 2 U | | 1 Bl. | |
| Index | Änderung / Description | Datum / Date | | Name | |
| Ers. f. / Replacement for: M-C091 11TXXX 000 2 U Rev02 | | NXM-V02 | | | |

Copying of this document and giving it to others and the use or communication of the contents thereof, are forbidden without express authority. Offenders are liable to the payment of damages. All rights are reserved in the event of the grant of a patent or the registration of the utility model or design.

Weitergabe sowie Vervielfältigung dieser Unterlage, Verwertung und Mitteilung ihres Inhalts nicht gestattet, soweit nicht ausdrücklich zugestanden. Zuwiderhandlungen verpflichten zu Schadenersatz. Alle Rechte für den Fall der Patenterteilung oder Gebrauchsmuster-Eintragung vorbehalten.

¹⁾ Edition 2000-05
²⁾ values in brackets are according to DIN EN 61076-2-106
³⁾ designed acc. pollution degree 2; can be used under pollution degree 3 when the rules of IEC 60644-1 are fulfilled
⁴⁾ under operating conditions >10⁸ Ohm
 All technical data have been measured in a laboratory environment and can be different during practical usage of the product. Any product information is for descriptive usage only and not legally binding; particularly the information does not constitute or provide any legal guaranties. Do not connect or disconnect under load. Metal housing parts shall be securely incorporated to protected ground. Parts according to directive 2002/95/EG (RoHS).

X-ON Electronics

Largest Supplier of Electrical and Electronic Components

Click to view similar products for [Circular DIN Connectors](#) category:

Click to view products by [Amphenol](#) manufacturer:

Other Similar products are found below :

[60KD4M](#) [M83723/76W22326](#) [M83723/78R22327](#) [D38999/24WJ29PA](#) [D38999/26FE99SN L/C](#) [75-069228-21J](#) [75-474014-07L](#) [88-559975-75P](#) [8R3006A18M0033](#) [PT02E1283P](#) [GTC00G-24-7S](#) [PT05A-14-5SX](#) [PT05A1832SW](#) [PT05E2255PW](#) [PT05SE1832SWLC](#) [PT05SE1832SYLC](#) [GTC030-20-27PW-LC](#) [GTC030A-20-33S](#) [PT06SE1811SXLC](#) [1211290078](#) [1211810025](#) [1210120122](#) [ACC06AF-20-23P\(003\)](#) [1210503216](#) [1211290084](#) [1211500027](#) [ACS06AF-16-10P\(003\)](#) [D38999/40FB35AN](#) [D38999/40FB35BB](#) [D38999/40WB35BN](#) [D38999/40WD35PN](#) [D38999/40WJ29SN-L/C](#) [D38999/40WJ4BN](#) [D38999/42FB35BN](#) [D38999/42WB35AB](#) [D38999/42WB35PB-L/C](#) [D38999/42WJ19AN](#) [D38999/42WJ24PN-L/C](#) [D38999/44WB35AN](#) [D38999/44WH21AN](#) [D38999/44WH35AN](#) [D38999/44WJ29BA](#) [D38999/44WJ35PN](#) [D38999/44WJ61BA](#) [D38999/46FB35AC](#) [D38999/46FB35BN](#) [D38999/46FB35SA-L/C](#) [D38999/46FB99BA](#) [D38999/46FB99BN](#) [D38999/46FJ19SA-L/C](#)