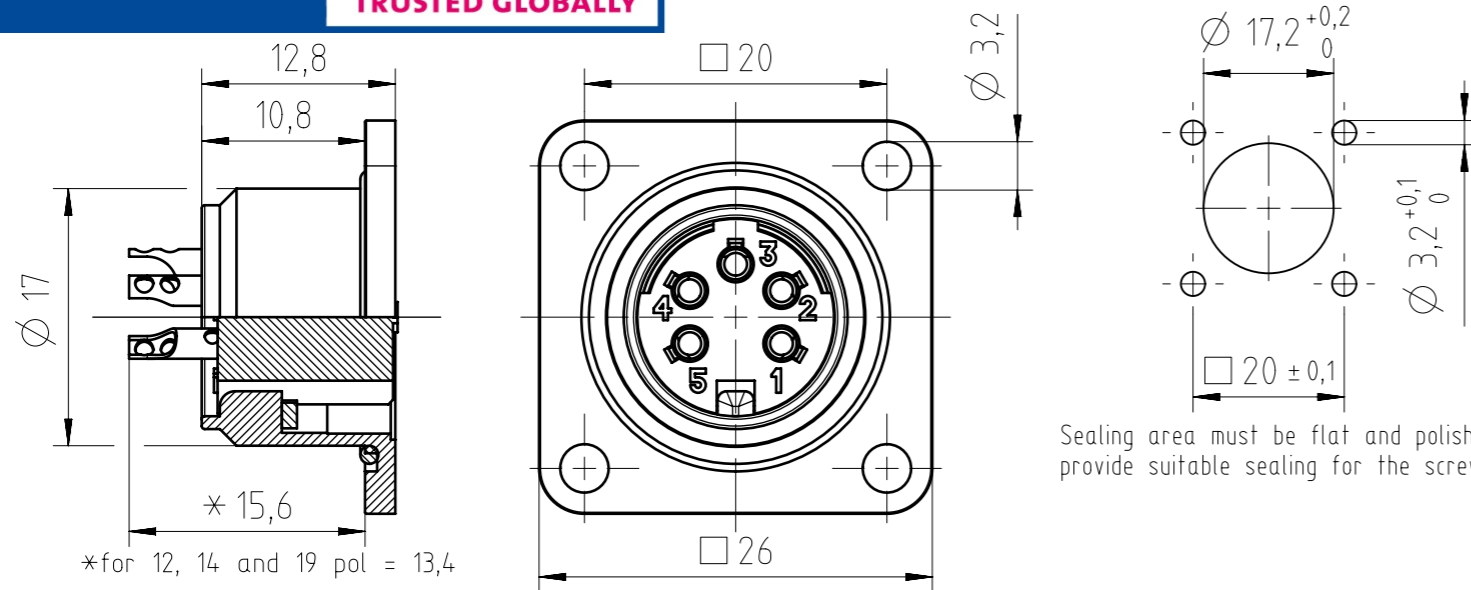


Panel Cutout M1:1



Sealing area must be flat and polished. provide suitable sealing for the screws

| | | | |
|--|--------------|---------------------|---------------------|
| | 19 (19-a) | C091 31T019 100 2 U | C091 31T019 200 2 U |
| | 14 (14-b) | C091 31T114 100 2 U | C091 31T114 200 2 U |
| | 14 (14-a) | C091 31T014 100 2 U | C091 31T014 200 2 U |
| | 12 (12-a) | C091 31T012 100 2 U | C091 31T012 200 2 U |
| | 8 (08-a) | C091 31T008 100 2 U | C091 31T008 200 2 U |
| | 7 (07-b) | C091 31T107 100 2 U | C091 31T107 200 2 U |
| | 7 (07-a) | C091 31T007 100 2 U | C091 31T007 200 2 U |
| | 6 (06-a) | C091 31T006 100 2 U | C091 31T006 200 2 U |
| | 5 (05-b) | C091 31T105 100 2 U | C091 31T105 200 2 U |
| | 5 (05-a) | C091 31T005 100 2 U | C091 31T005 200 2 U |
| | 4 (04-a) | C091 31T004 100 2 U | C091 31T004 200 2 U |
| | 3 (03-a) | C091 31T003 100 2 U | C091 31T003 200 2 U |

| | | | |
|---------------------|--|----------------|----------------|
| View on mating side | Number of contacts (Contact arrangement acc. IEC 61076-2-106) | Part number-Ag | Part number-Au |
|---------------------|--|----------------|----------------|

| | | | | | | | | | | | | | | |
|---|-----------------------------------|--|------|-------------------|----------|--------------------|------|-------------------------------|------|-----------------|----------|--------------------------------|------|--|
| Number of contacts | Standard | 3 | 4 | 5 | 5 | 6 | 7 | 7 | 8 | 12 | 14 | 14 | 19 | |
| Contact arrangement | IEC 61076-2-106 | 03-a | 04-a | 05-a | 05-b | 06-a | 07-a | 07-b | 08-a | 12-a | 14-a | 14-b | 19-a | |
| Contact arrangement | IEC 60130-9 ^{b)} | yes | | no | | yes | | no | | no | | | | |
| Rated voltage ²⁾ | IEC 60664-1 | 300 V (100 V) | | 300 V (63 V) | | 100 V (32 V) | | 300 V (63 V) | | 100 V (32 V) | | 150 V (32 V) 60 V (32 V) | | |
| Rated voltage | UL 1977 | 250V | | | | | | | | | | | | |
| Rated impulse withstand voltage ²⁾ | IEC 60664-1 | 1500 V (1500 V) | | 1200 V (800 V) | | 1500 V (1500 V) | | 1200 V (800 V) | | | | | | |
| Pollution degree ²⁾ | IEC 60664-1 | 1 (3 ³⁾) | | | | | | | | | | | | |
| Installation category | IEC 60664-1 | I | | | | | | | | | | | | |
| Insulation group | IEC 60664-1 | II, 400 ≤ CTI < 600 | | | | | | | | | | | | |
| Current rating | IEC 60512-5-2 UL 1977 | 10A/+40°C | | | 7A/+40°C | | | | | | 3A/+40°C | | | |
| Insulation resistance | IEC 60512-3-1 | >10 ¹⁰ Ohm ⁴⁾ | | | | | | | | | | | | |
| Contact resistance | IEC 60512-2-1 | <5mOhm | | | | | | | | | | | | |
| Climatic category | IEC 60668-1 | 40 / 100 / 56 | | | | | | | | | | | | |
| Temperatur range | IEC 60668-1 | -40°C...+100°C / -40°F...+212°F | | | | | | | | | | | | |
| Salt spray resistance | DIN IEC 60068-2-11, test Ka | 720h | | | | | | | | | | | | |
| IP degree | IEC 60529 | IP 69K / IP 67 / IP 65 (in mated condition) | | | | | | | | | | | | |
| Insertion and withdrawal force | IEC 60512-13-2 | 25N | 30N | 35N | 35N | 50N | 55N | 55N | 60N | 50N | 50N | 50N | 60N | |
| mechanical operation | IEC 60512-9-1 | Silver ≥500 mating cycles / Gold ≥1000 mating cycles | | | | | | | | | | | | |
| housing material | | brass and / or zinc die cast, nickel plated | | | | | | | | | | | | |
| dielectric material | | thermoplastic | | | | | | | | | | | | |
| sealing material | | Chloroprene | | | | | | | | | | | | |
| contacts | | silver or gold plated | | | | | | | | | | | | |
| termination technique | | solder | | | | | | | | | | | | |
| wire gauge | | ≤0,5mm ² / 20 AWG | | | | | | ≤0,35mm ² / 22 AWG | | | | | | |
| flamability | | UL 94 V0 | | | | | | | | | | | | |
| locking system | IEC 60130-9 DIN EN 61076-2-106 | metal screw coupling; tightening torque 0,7 - 1,5 Nm | | | | | | | | | | | | |

| | | | | |
|--|--|---|---------------------|---------------|
| Gewicht (errechnet) / Calc WT: 16,88 g | Zul. Abw./Tolerances: | Maßstab / Scale: 2:1;1:1 | A3 | |
| Prüfmaß / Testdimension | ISO 2768-c | CUSTOMER DRAWING | | |
| Teileindex / Partindexnumber: | DIN / ISO 13715 | Female receptacle | | |
| Bagatelle change: 24.02.2021 MCARLE | Gez. 10.12.2019 | female receptacle | | |
| | Drawn MTOLKSDORF | | | |
| | Status Released | | | |
| | Gepr. 11.01.2021 | | | |
| | Checked MBERTSCH | | | |
| | Amphenol Tuchel Industrial GmbH | | | |
| 04 202000083 26.10.2020 MCARLE | | M | C091 31TXXX X00 2 U | Blatt/Sheet 1 |
| 03 201900002 13.12.2019 MCARLE | | | | 1 Bl. |
| Index Änderung/Description Datum/Date Name | | Ers. f. l. Replacement for: M-C091 31TXXX X00 2 U, Rev.02 | | |

¹⁾ Edition 2000-05
²⁾ values in brackets are according to DIN EN 61076-2-106
³⁾ designed acc. pollution degree 2, can be used under pollution degree 3 when the rules of IEC 60644-1 are fulfilled
⁴⁾ under operating conditions >10⁸ Ohm

Do not connect or disconnect under load Metal housing parts shall be securely incorporated to protected ground
 Remark for gold plated contacts:
 In order to avoid brittle inter-metallic connections, gold plated terminals have to be tin-plated in the solder area.
 All technical data have been measured in a laboratory environment and can be different during practical usage of the product. Any product information is for descriptive usage only and not legally binding, particularly the information does not constitute or provide any legal guaranties ("Beschaffenheitsgarantie" or "Haltbarkeitsgarantie").

Weitergabe sowie Vervielfältigung dieser Unterlage, Verwertung und Mitteilung ihres Inhalts nicht gestattet, soweit nicht ausdrücklich zugestanden. Zuwiderhandlungen verpflichten zu Schadenersatz. Alle Rechte für den Fall der Patenterteilung oder Gebrauchsmuster-Eintragung vorbehalten.

FAI2020-001864
 NXM-V04

X-ON Electronics

Largest Supplier of Electrical and Electronic Components

Click to view similar products for [Circular DIN Connectors](#) category:

Click to view products by [Amphenol](#) manufacturer:

Other Similar products are found below :

[60KD4M](#) [M83723/76W22326](#) [M83723/78R22327](#) [D38999/24WJ29PA](#) [D38999/26FE99SN L/C](#) [75-069228-21J](#) [75-474014-07L](#) [88-559975-75P](#) [8R3006A18M0033](#) [PT02E1283P](#) [GTC00G-24-7S](#) [PT05A-14-5SX](#) [PT05A1832SW](#) [PT05E2255PW](#) [PT05SE1832SWLC](#) [PT05SE1832SYLC](#) [GTC030-20-27PW-LC](#) [GTC030A-20-33S](#) [PT06SE1811SXLC](#) [1211290078](#) [1211810025](#) [1210120122](#) [ACC06AF-20-23P\(003\)](#) [1210503216](#) [1211290084](#) [1211500027](#) [ACS06AF-16-10P\(003\)](#) [D38999/40FB35AN](#) [D38999/40FB35BB](#) [D38999/40WB35BN](#) [D38999/40WD35PN](#) [D38999/40WJ29SN-L/C](#) [D38999/40WJ4BN](#) [D38999/42FB35BN](#) [D38999/42WB35AB](#) [D38999/42WB35PB-L/C](#) [D38999/42WJ19AN](#) [D38999/42WJ24PN-L/C](#) [D38999/44WB35AN](#) [D38999/44WH21AN](#) [D38999/44WH35AN](#) [D38999/44WJ29BA](#) [D38999/44WJ35PN](#) [D38999/44WJ61BA](#) [D38999/46FB35AC](#) [D38999/46FB35BN](#) [D38999/46FB35SA-L/C](#) [D38999/46FB99BA](#) [D38999/46FB99BN](#) [D38999/46FJ19SA-L/C](#)