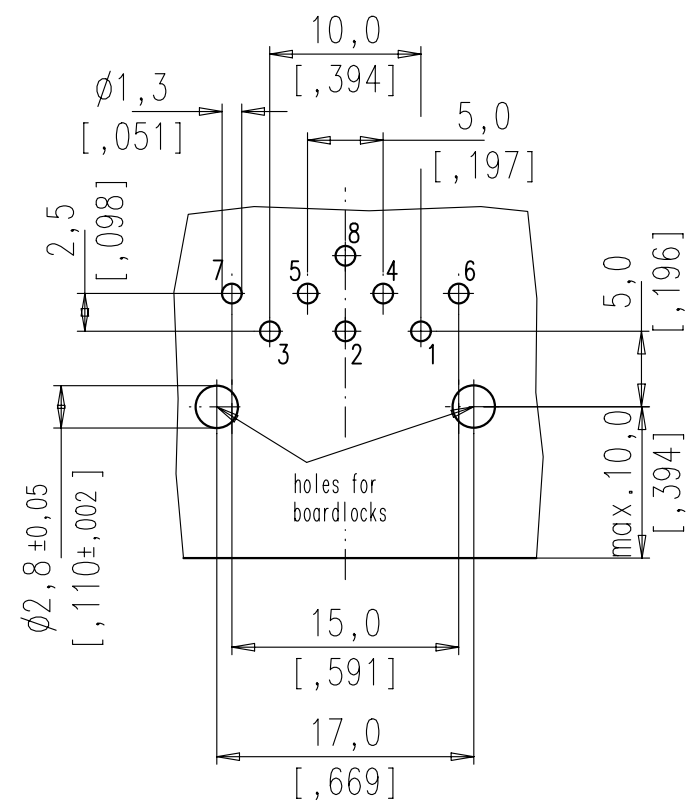
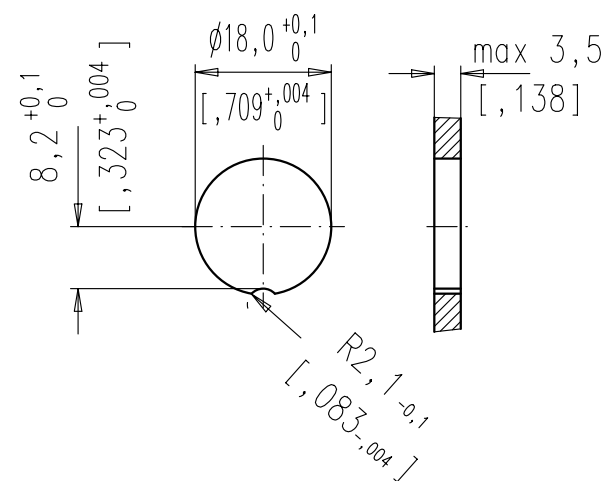


Copying of this document and giving it to others and the use or communication of the contents thereof, are forbidden without express authority. Offenders are liable to the payment of damages. All rights are reserved in the event of the grant of a patent or the registration of the utility model or design.

Lochbild für Leiterplatte  
auf Bestückungsseite gesehen  
hole pattern on PCB  
seeing on assembly side



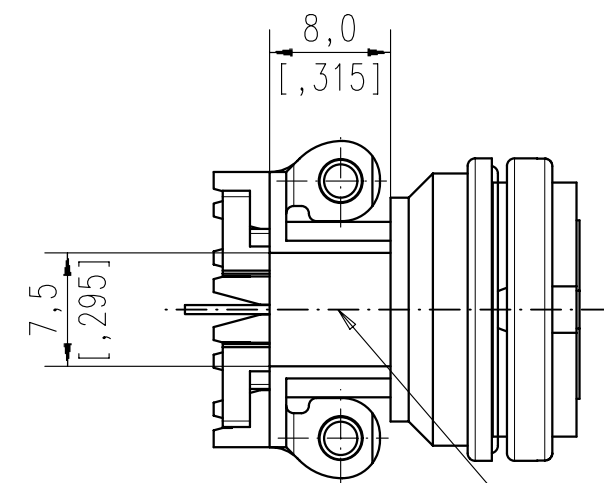
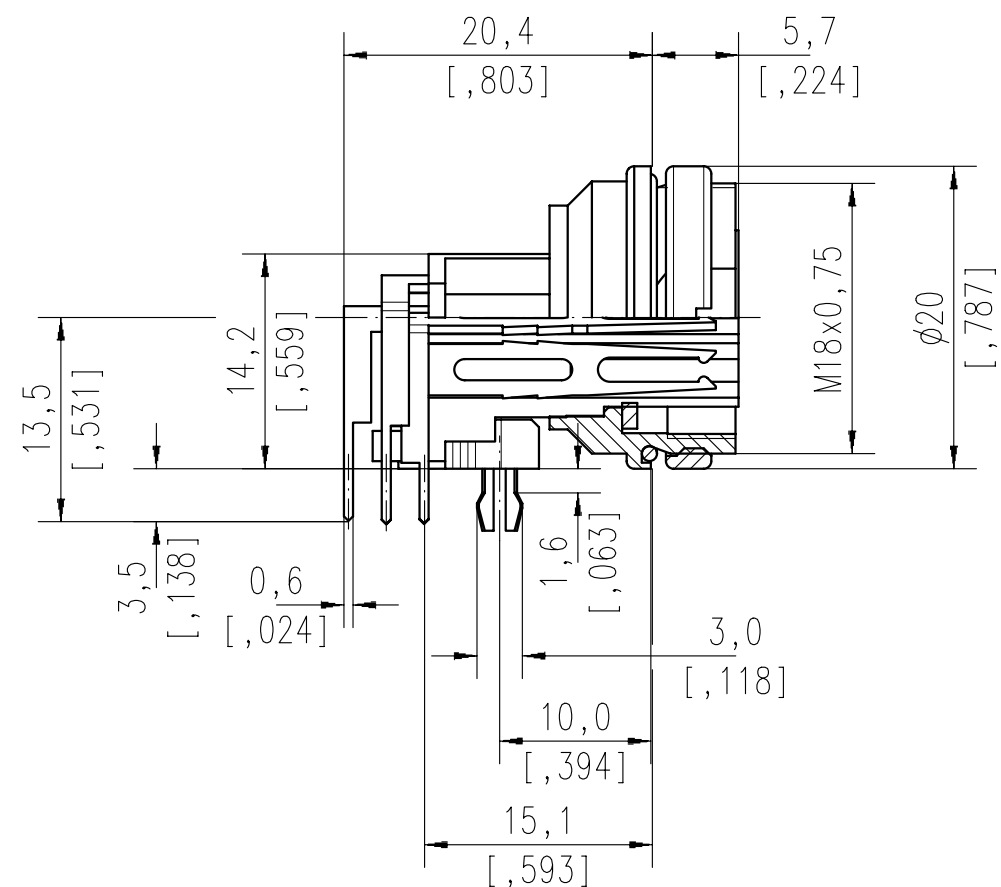
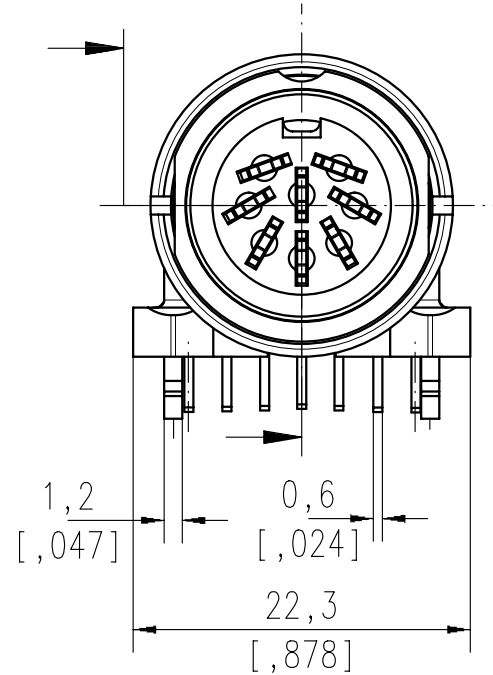
Montageausschnitt  
Panel Cutout



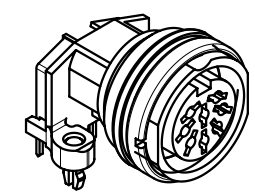
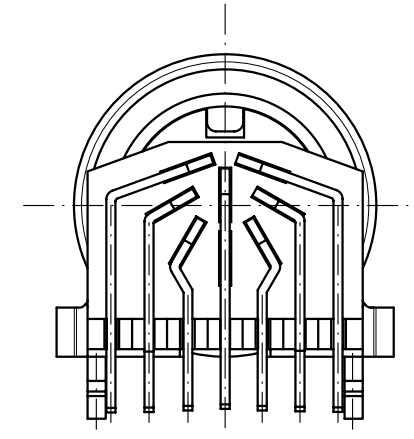
Dichtfläche eben und gratfrei.  
Sealing area must be flat  
and polished.

Ausführung mit Boardlocks  
Geeignet für Reflow Löten (260°C 10s)  
Brennbarkeit UL 94 HB  
Kontaktoberfläche min 2µm Ag  
restliche technische Daten  
entsprechen den Katalogtypen C091D

Design with boardlocks  
suitable for Reflow soldering (260°C 10s)  
Flammability UL 94 HB  
contact plating min 2µm Ag  
further technical characteristics according  
catalog types C091D



Aufnahmestelle für  
Bestückungsmaschine /  
pick and place area



Masse (errechnet)/Calc WT: 9		Zul. Abw./Tolerances:		Maßstab/Scale 2:1		A3	
Prüfmaß/Testdimension		DIN/ISO 13715		CUSTOMER DRAWING			
Teileindex Part index number		09 Datum/Date Name		Gerätedose abgewinkelt female receptacle right angled			
		Gez. 04.08. Cionvica					
		Drawn					
		Gepr.					
		Checked					
		Amphenol-Tuchel Electronics GmbH		M		C091 51G008 150 2	
01 200900354 04.08.09 CI				Ers. f./Replacement for:		Blatt/Sheet 1 1 Bl.	
Index Änderung/Description Datum/Date Name							

## X-ON Electronics

Largest Supplier of Electrical and Electronic Components

*Click to view similar products for [Circular DIN Connectors](#) category:*

*Click to view products by [Amphenol](#) manufacturer:*

Other Similar products are found below :

[CTV06RQF-25-8SA-LC](#) [CTV06RQF-25-8S-LC](#) [CTV06RQW-25-8SB-LC](#) [CTV06RW-25-20P](#) [CTV06RW-25-20PA](#) [CTV06RW-25-20PB](#)  
[CTV06RW-25-20PE-LC](#) [CTV06RW-25-20SB](#) [CTV06RW-25-20SE](#) [CTV07RW-17-8S\(506\)](#) [CTVP00RW-19-32S\(506\)](#) [CTVP00RW-9-35S\(506\)](#) [M83723/71R20416](#) [M83723/71R22196](#) [M83723/71W2039N](#) [M83723/71W24196](#) [M83723/71W2419N](#) [M83723/72A1404N-LC](#)  
[M83723/72R1203N](#) [M83723/72W20418](#) [M83723/72W22126](#) [M83723/72W22556](#) [M83723/72W2419N](#) [M83723/72W2461N](#)  
[M83723/73R2028N](#) [M83723/73R2039N](#) [M83723/73W1412N](#) [M83723/73W2039N](#) [M83723/74R1624N](#) [M83723/74R1808N](#)  
[M83723/74R2212N](#) [M83723/74W1203N](#) [M83723/74W1412N](#) [M83723/74W20416](#) [M83723/74W2041N](#) [M83723/75R10058](#)  
[M83723/75W2232N](#) [M83723/76R14157](#) [M83723/76R20256](#) [M83723/76W1808N](#) [M83723/76W2016N](#) [M83723/76W2461N](#)  
[M83723/77W2016N](#) [M83723/78R22327](#) [M83723/78W2212N](#) [M83723/78W22556](#) [M85049/50-5F](#) [D38999/20FF11AC](#) [D38999/20FJ20BB](#)  
[D38999/20FJ20SC](#)