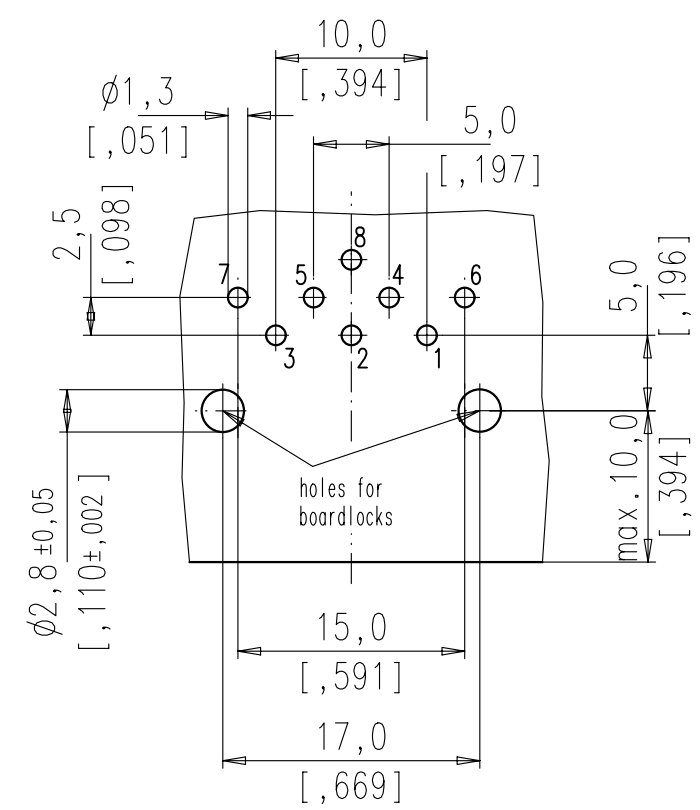
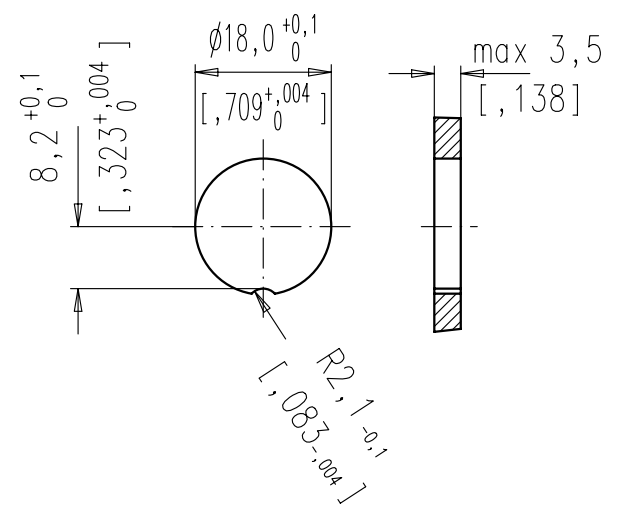


Copying of this document and giving it to others and the use or communication of the contents thereof, are forbidden without express authority. Offenders are liable to the payment of damages. All rights are reserved in the event of the grant of a patent or the registration of the utility model or design.

Lochbild für Leiterplatte  
auf Bestückungsseite gesehen  
hole pattern on PCB  
seeing on assembly side



Montageausschnitt  
Panel Cutout



Dichtfläche eben und gratfrei.  
Sealing area must be flat  
and polished.

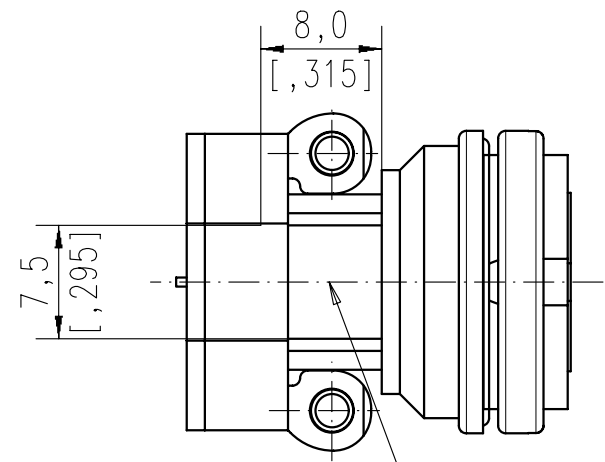
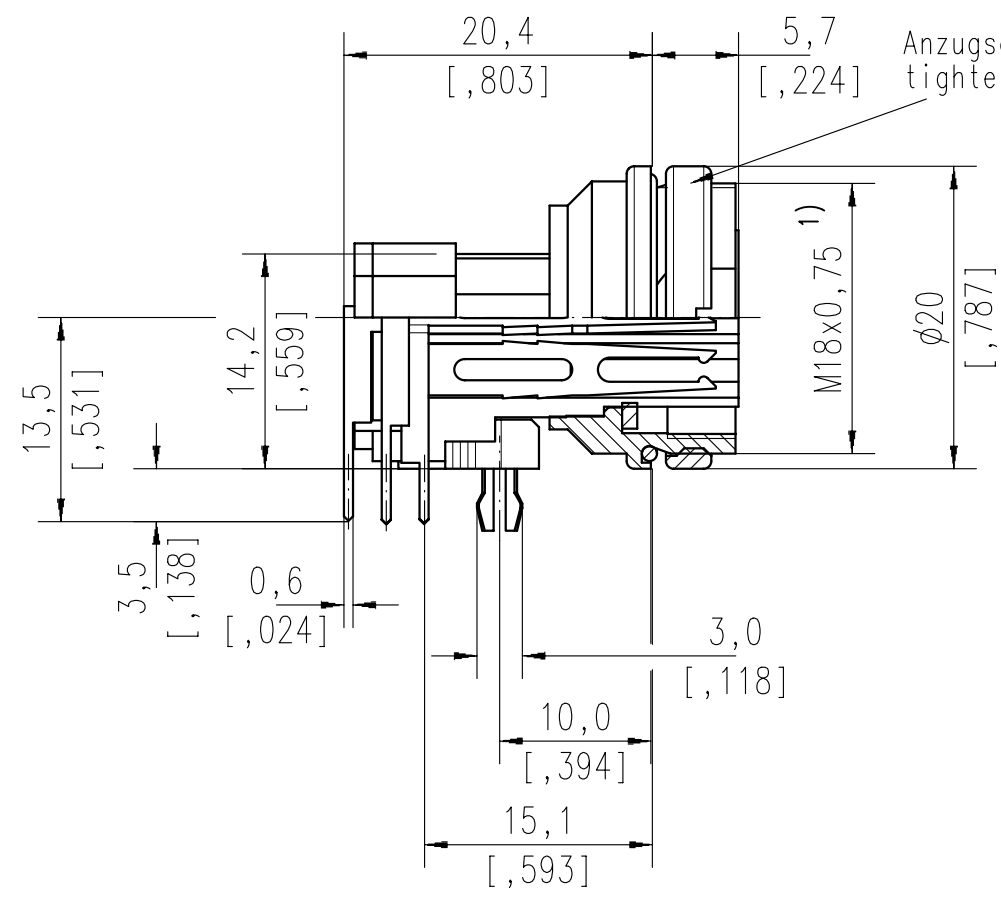
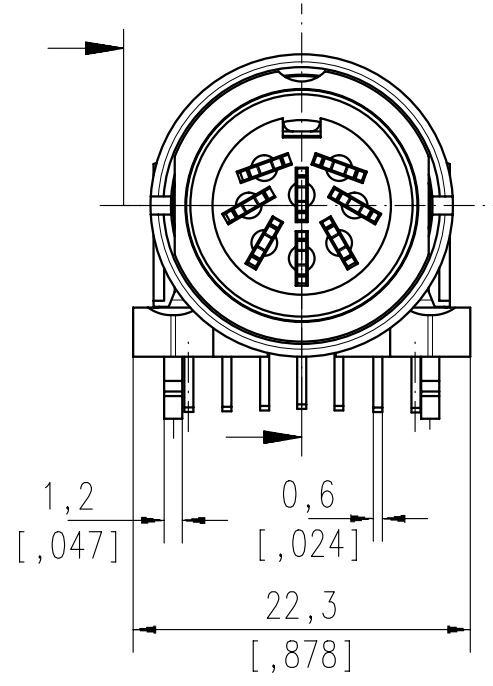
Design with boardlocks  
We recommend to use a PCB with thickness 1,6mm.  
suitable for Reflow soldering (260°C 10s)  
Flammability UL 94 HB  
IP67 in mated condition  
further technical characteristics according  
catalog types C091D

All technical data have been measured in a  
laboratory environment and can be different  
during practical usage of the product. Any  
product information is for descriptive usage  
only and not legally binding; particularly  
the information does not constitute or provide  
any legal guaranties ("Beschaffensgarantie"  
or "Haltbarkeitsgarantie").

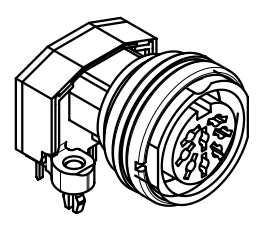
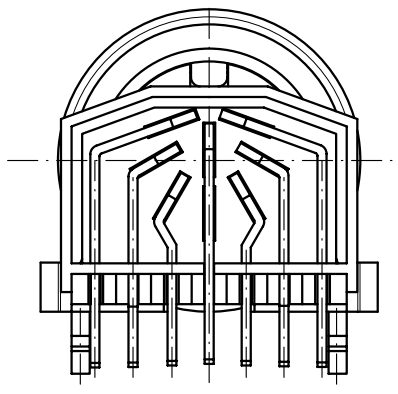
Do not connect or disconnect under load.  
Metal housing parts shall be securely  
incorporated to protected ground.

Remark for gold plated contacts:  
In order to avoid brittle inter-metallic  
connections, gold-plated terminals have to  
be tin-plated in the solder area.

1) thread tested with go/nogo gauge  
min. outside diameter of the thread 17,7mm  
(deviating from the standard DIN 13)



Aufnahmestelle für  
Bestückungsmaschine /  
pick and place area



C091 51G008 250 2 U	gold plated contacts
C091 51G008 150 2 U	silver plated contacts
part number	description

Masse [errechnet]/Calc WT:	9	Zul. Abw./Tolerances:		Maßstab/Scale	2:1, 1:1	A3	
Prüfmaß/Testdimension				CUSTOMER DRAWING			
Teileindex Partindexnumber				Gerätedose abgewinkelt female receptacle right angeled			
		13	Datum/Date	Name			
		Gez.	26.08.	Schädel			
		Drawn					
		Gepr.					
		Checked					
		Amphenol-Tuchel Electronics GmbH					
01	201300607	26.08.13	RS		M	C091 51G008 X50 2 U	Blatt/Sheet 1 1 Bl.
Index	Änderung/Description	Datum/Date	Name	Ers. f./Replacement for:			

## X-ON Electronics

Largest Supplier of Electrical and Electronic Components

*Click to view similar products for [Circular DIN Connectors](#) category:*

*Click to view products by [Amphenol](#) manufacturer:*

Other Similar products are found below :

[60KD4M](#) [M83723/76W22326](#) [M83723/78R22327](#) [D38999/24WJ29PA](#) [D38999/26FE99SN L/C](#) [75-069228-21J](#) [75-474014-07L](#) [88-559975-75P](#) [8R3006A18M0033](#) [PT02E1283P](#) [GTC00G-24-7S](#) [PT05A-14-5SX](#) [PT05A1832SW](#) [PT05E2255PW](#) [PT05SE1832SWLC](#) [PT05SE1832SYLC](#) [GTC030-20-27PW-LC](#) [GTC030A-20-33S](#) [PT06SE1811SXLC](#) [1211290078](#) [1211810025](#) [1210120122](#) [ACC06AF-20-23P\(003\)](#) [1210503216](#) [1211290084](#) [1211500027](#) [ACS06AF-16-10P\(003\)](#) [D38999/40FB35AN](#) [D38999/40FB35BB](#) [D38999/40WB35BN](#) [D38999/40WD35PN](#) [D38999/40WJ29SN-L/C](#) [D38999/40WJ4BN](#) [D38999/42FB35BN](#) [D38999/42WB35AB](#) [D38999/42WB35PB-L/C](#) [D38999/42WJ19AN](#) [D38999/42WJ24PN-L/C](#) [D38999/44WB35AN](#) [D38999/44WH21AN](#) [D38999/44WH35AN](#) [D38999/44WJ29BA](#) [D38999/44WJ35PN](#) [D38999/44WJ61BA](#) [D38999/46FB35AC](#) [D38999/46FB35BN](#) [D38999/46FB35SA-L/C](#) [D38999/46FB99BA](#) [D38999/46FB99BN](#) [D38999/46FJ19SA-L/C](#)