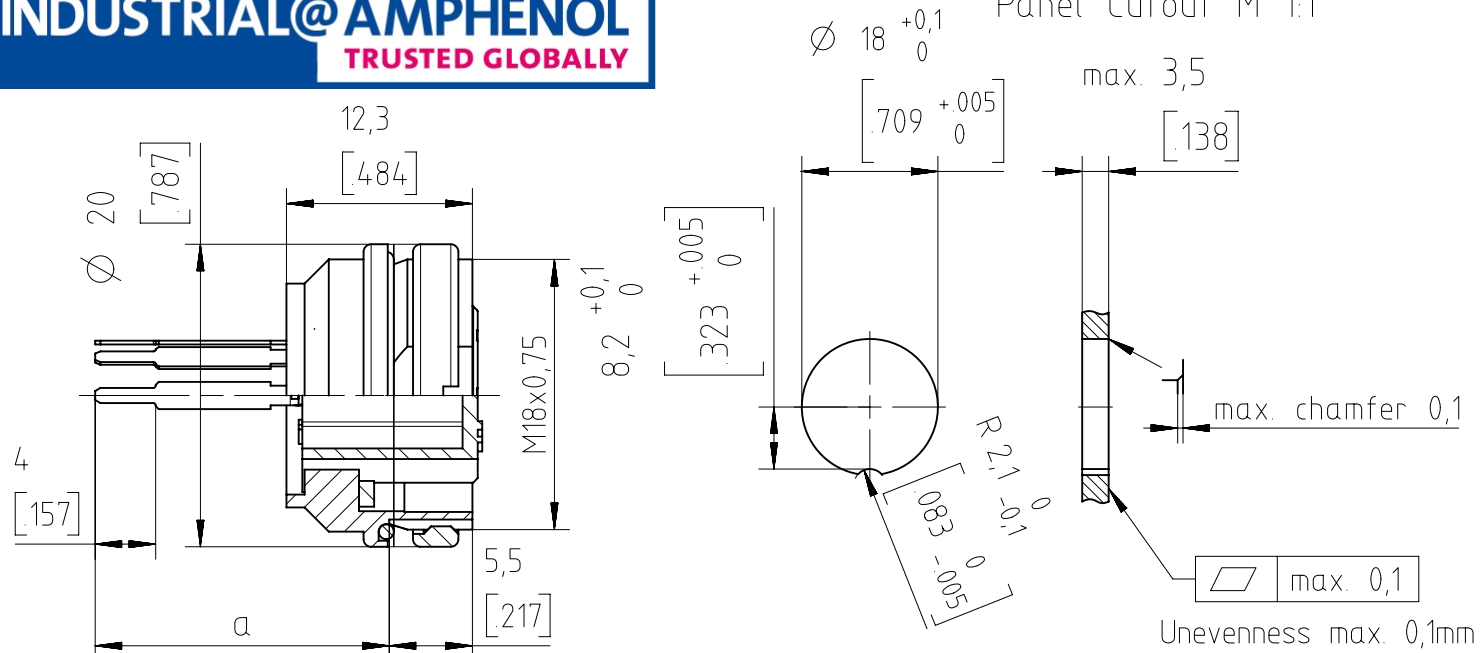


Panel Cutout M 1:1



Recommended roughness sealing surface Rz6,3 (Ra0,8)

Number of contacts	Standard	3	4	5	5S	6	7	7	8	12	14	
Contact arrangement	DIN EN 61076-2-106	03-a	04-a	05-a	05-b	06-a	07-a	07-b	08-a	12-a	14-a	
Contact arrangement	IEC 60130-9 ¹⁾											
Rated voltage ²⁾	IEC 60664-1	300 V (100 V)	300 V (63 V)	100 V (32 V)	300 V (63 V)	100 V (32 V)	150 V (32 V)					
Rated voltage	UL 1977	250 V						60 V				
Rated impulse withstand voltage ²⁾	IEC 60664-1	1500 V (840 V)		1200 V (500 V)	1500 V (840 V)	1200 V (500 V)						
Pollution degree ²⁾	IEC 60664-1	1 (3 ³⁾)										
Installation category	IEC 60664-1	I										
Insulation group	IEC 60664-1	II, 400 ≤ CTI < 600										
Current rating	IEC 60512-5-2 UL 1977	5A/+40°C/+104°F						3A/+40°C/+104°F				
Insulation resistance	IEC 60512-3-1	>10 ¹⁰ Ohm ⁴⁾										
Contact resistance	IEC 60512-2-1	<5m Ohm										
Climatic category	IEC 60668-1	40 / 100 / 56										
Temperatur range	IEC 60668-1	-40°C...+100°C / -40°F...+212°F										
salt spray resistance	DIN IEC 60068-2-11	720h										
IP degree	IEC 60529	IP 67 / IP 65 (in mated condition)										
Insertion and withdrawal force	IEC 60512-13-2	25N	30N	35N	50N	55N	60N	50N				
Mechanical operation	IEC 60512-9-1	silver ≥500 mating cycles gold ≥1000 mating cycles										
Housing material		brass and / or zinc die cast, nickel plated										
Dielectric material		thermoplastic										
Contacts		silver plated / gold plated ⁵⁾										
Termination technique		solder										
wire gauge		≤ 0,5mm ² / 20 AWG						≤0,25mm ² /24AWG				
Flamability		UL 94 VO										
locking system	IEC 60130-9 DIN EN 61076-2-106	metal screw coupling; tightening torque 0,7Nm										

¹⁾ Edition 2000-05
²⁾ values in brackets are according to DIN EN 61076-2-106
³⁾ designed acc. pollution degree 2; can be used under pollution degree 3 when the rules of IEC 60664-1 are fulfilled
⁴⁾ under operating conditions >10⁸ Ohm
⁵⁾ In order to avoid brittle inter-metallic connections, gold plated terminals have to be tin-plated in the solder area.
 All technical data have been measured in a laboratory environment and can be different during practical usage of the product. Any product information is for descriptive usage only and not legally binding; particularly the information does not constitute or provide any legal guaranties. Do not connect or disconnect under load. Metal housing parts shall be securely incorporated to protected ground.
 Parts according to directive 2002/95/EG (RoHS).
 Remark for gold plated contacts.

	14 (14-a)	Ag	C091 61G014 110 2 U		
		Au	C091 61G014 210 2 U		
	12 (12-a)	Ag	C091 61G012 110 2 U		
		Au	C091 61G012 210 2 U		
	8 (08-a)	Ag	C091 61G008 110 2 U	C091 61G008 120 2 U	C091 61G008 130 2 U
		Au	C091 61G008 210 2 U		
	7 (07-b)	Ag	C091 61G107 110 2 U	C091 61G107 120 2 U	C091 61G107 130 2 U
		Au	C091 61G107 210 2 U		
	7 (07-a)	Ag	C091 61G007 110 2 U	C091 61G007 120 2 U	C091 61G007 130 2 U
		Au	C091 61G007 210 2 U		
	6 (06-a)	Ag	C091 61G006 110 2 U	C091 61G006 120 2 U	C091 61G006 130 2 U
		Au	C091 61G006 210 2 U		
	5 (05-b)	Ag	C091 61G105 110 2 U	C091 61G105 120 2 U	C091 61G105 130 2 U
		Au	C091 61G105 210 2 U		
	5 (05-a)	Ag	C091 61G005 110 2 U	C091 61G005 120 2 U	C091 61G005 130 2 U
		Au	C091 61G005 210 2 U		
	4 (04-a)	Ag	C091 61G004 110 2 U	C091 61G004 120 2 U	C091 61G004 130 2 U
		Au	C091 61G004 210 2 U		
	3 (03-a)	Ag	C091 61G003 110 2 U	C091 61G003 120 2 U	C091 61G003 130 2 U
		Au	C091 61G003 210 2 U		
Contact arrangement View on mating side	Number of contacts (Contact arrangement acc. DIN EN 61076-2-106)	a = 10,5 mm [0,413]		a = 14,5 mm [0,570]	
		a = 19,5 mm [0,767]			

Gewicht (errechnet) / Calc WT: 13,72 g	Zul. Abw./Tolerances:	Maßstab / Scale: 2:1	A3	
Prüfmaß / Testdimension	ISO 2768-mH	CUSTOMER DRAWING		
Teilindex / Partindexnumber	DIN / ISO 13715	Gerätedose Rückwandmontage		
	Datum / Date	female receptacle rear mount.		
	Name			
	Gez. / Drawn	14.10.2015 MTOLK		
	Status: Released			
	Inspector: 14.10.2015 MGRIM			
Amphenol-Tuchel Electronics GmbH		M C091 61GXXX XX0 2 U		Blatt / Sheet 1
02	201500721	14.10.2015	MTOLK	1 Bl.
Index	Änderung / Description	Datum / Date	Name	Ers. f. / Replacement for: M-C091 61GXXX X10 2 U Rev.01
			4.033.078	

Weitergabe sowie Vervielfältigung dieser Unterlage, Verwertung und Mitteilung ihres Inhalts nicht gestattet, soweit nicht ausdrücklich zugestanden. Zuwiderhandlungen verpflichten zu Schadenersatz. Alle Rechte für den Fall der Patenterteilung oder Gebrauchsmuster-Eintragung vorbehalten.

X-ON Electronics

Largest Supplier of Electrical and Electronic Components

Click to view similar products for [Circular DIN Connectors](#) category:

Click to view products by [Amphenol](#) manufacturer:

Other Similar products are found below :

[60KD4M](#) [M83723/76W22326](#) [M83723/78R22327](#) [D38999/24WJ29PA](#) [D38999/26FE99SN L/C](#) [75-069228-21J](#) [75-474014-07L](#) [88-559975-75P](#) [8R3006A18M0033](#) [PT02E1283P](#) [GTC00G-24-7S](#) [PT05A-14-5SX](#) [PT05A1832SW](#) [PT05E2255PW](#) [PT05SE1832SWLC](#) [PT05SE1832SYLC](#) [GTC030-20-27PW-LC](#) [GTC030A-20-33S](#) [PT06SE1811SXLC](#) [1211290078](#) [1211810025](#) [1210120122](#) [ACC06AF-20-23P\(003\)](#) [1210503216](#) [1211290084](#) [1211500027](#) [ACS06AF-16-10P\(003\)](#) [D38999/40FB35AN](#) [D38999/40FB35BB](#) [D38999/40WB35BN](#) [D38999/40WD35PN](#) [D38999/40WJ29SN-L/C](#) [D38999/40WJ4BN](#) [D38999/42FB35BN](#) [D38999/42WB35AB](#) [D38999/42WB35PB-L/C](#) [D38999/42WJ19AN](#) [D38999/42WJ24PN-L/C](#) [D38999/44WB35AN](#) [D38999/44WH21AN](#) [D38999/44WH35AN](#) [D38999/44WJ29BA](#) [D38999/44WJ35PN](#) [D38999/44WJ61BA](#) [D38999/46FB35AC](#) [D38999/46FB35BN](#) [D38999/46FB35SA-L/C](#) [D38999/46FB99BA](#) [D38999/46FB99BN](#) [D38999/46FJ19SA-L/C](#)