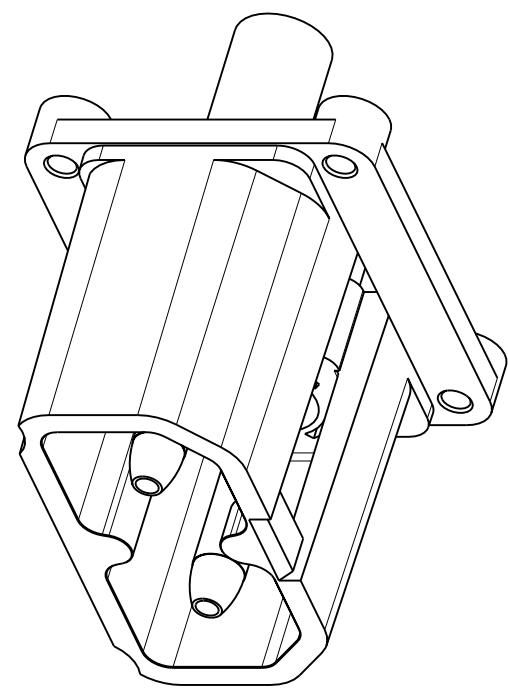
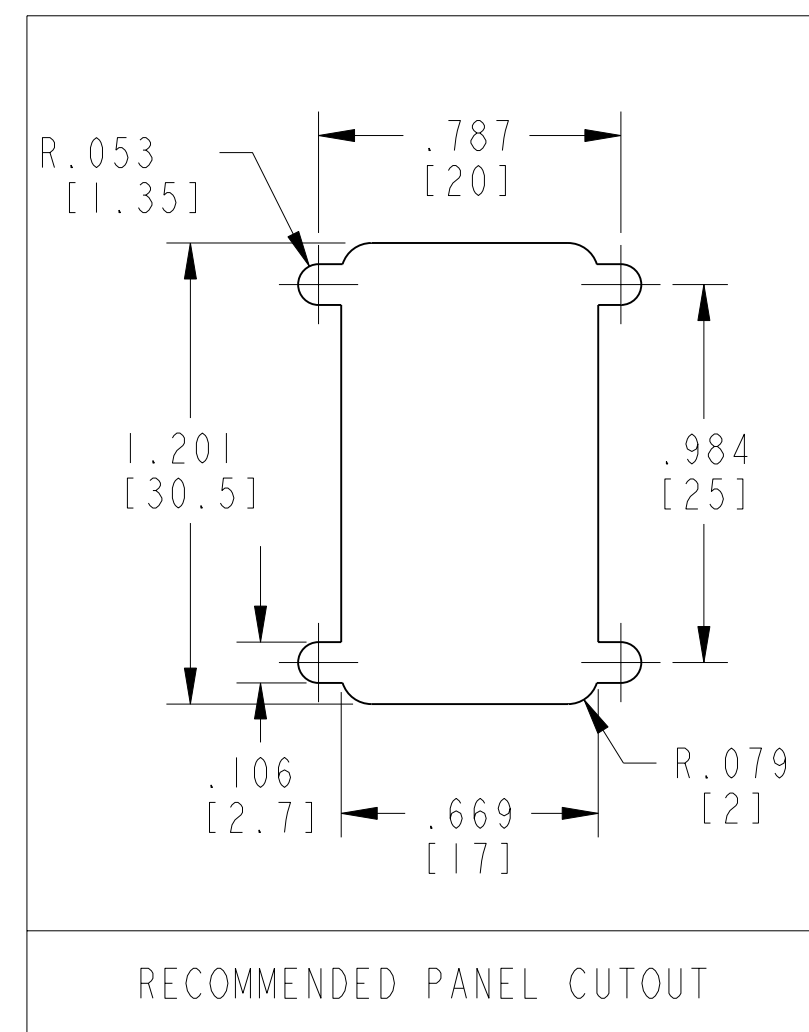
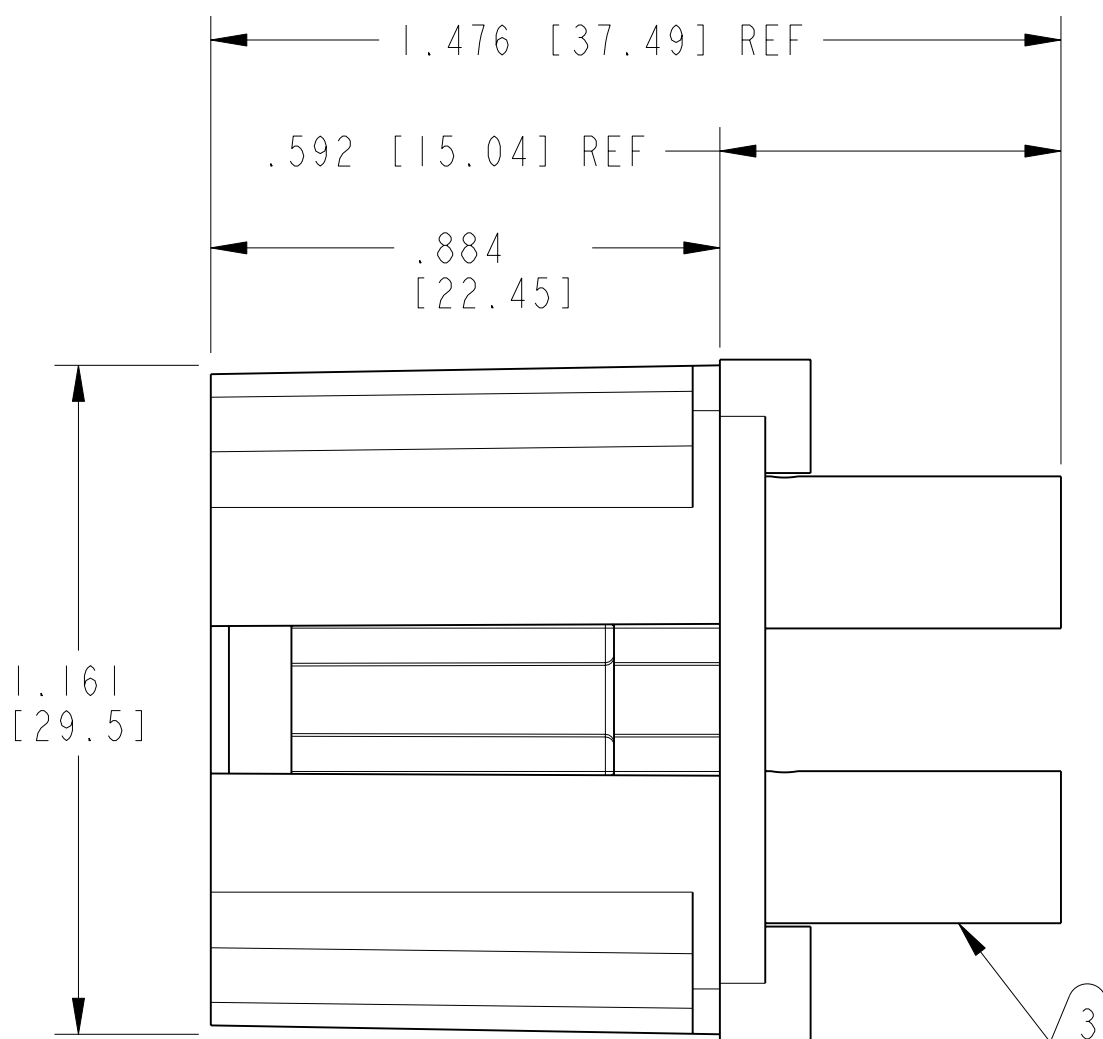
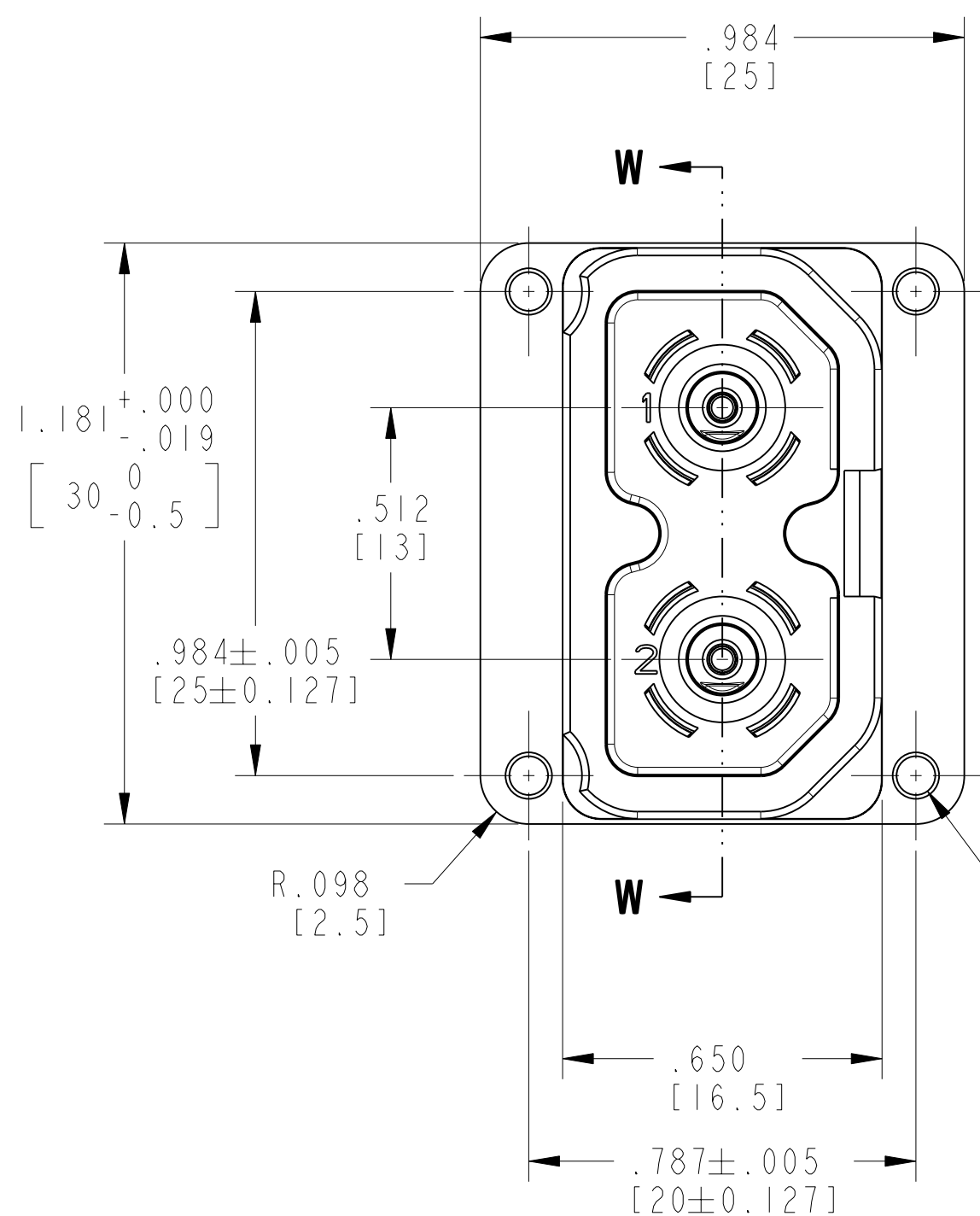


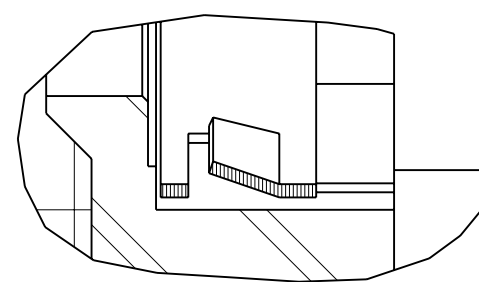
REVISIONS		
LTR	DESCRIPTION	DATE
A	INITIAL RELEASE	



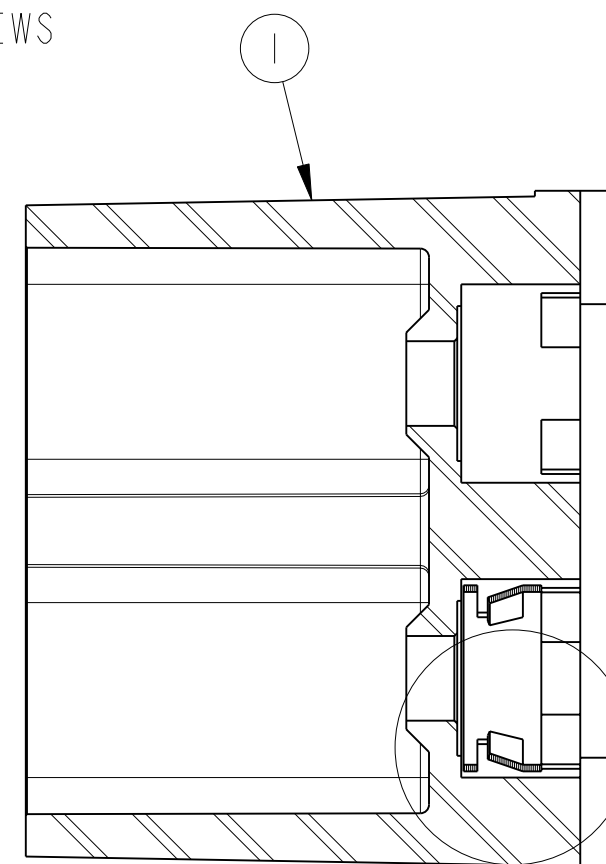
SCALE 2.000



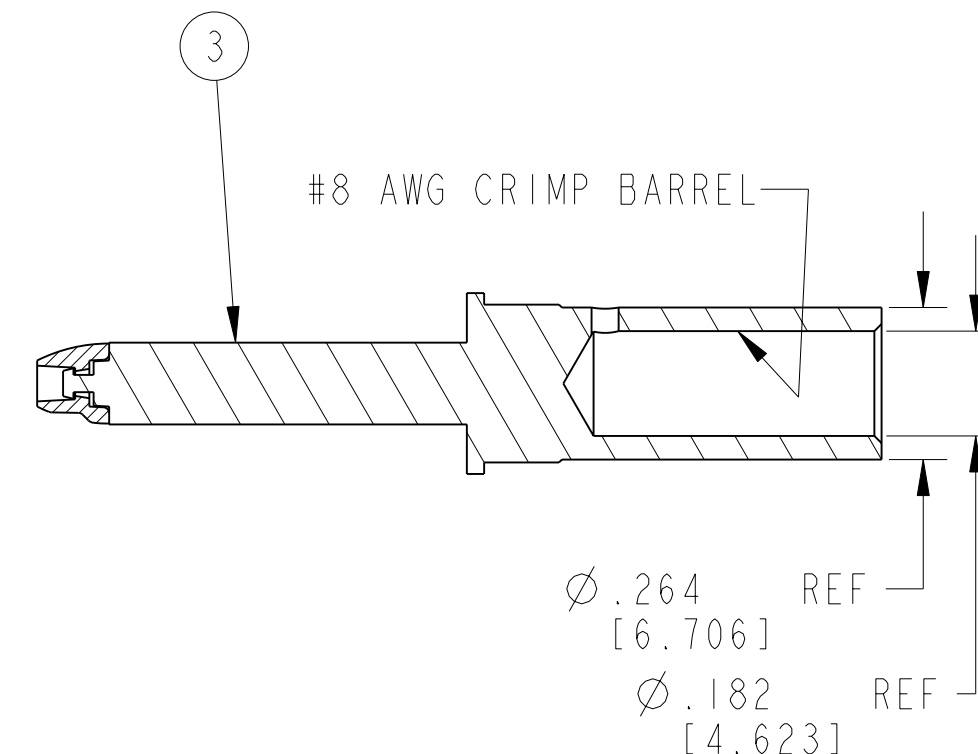
Ø.079 [2] FOR M2.5 THREAD FORMING SCREWS



DETAIL R
SCALE 6.000



ASSEMBLY DETAIL
SECTION W-W



SEE DETAIL R

5. CONNECTOR SHOWN MATES WITH 10-638974.

4. SPECIFICATIONS:
ELECTRICAL:

RATED VOLTAGE: 250 Vdc
MAX CONTINUOUS CURRENT LOAD: 69 Adc
FLAMMABILITY: UL94 V-0

INGRESS PROTECTION:
DESIGNED TO MEET APPLICABLE PROBES FROM IEC 90950

3. PIN CONTACTS ARE SHOWN FULLY ASSEMBLED BUT ARE SHIPPED UNASSEMBLED. CUSTOMER WILL CRIMP CONTACT TO WIRE AND INSTALL CONTACTS INTO HOUSING.

2. INSTALL CLIPS, ITEM 2, INTO HOUSING, ITEM 1.
NOTE: MAKE SURE TO ORIENT TINES AS SHOWN IN ASSEMBLY DETAIL. MAKE SURE CLIPS ARE FULLY SEATED PASSED SHOULDER AS SHOWN IN DETAIL R.

1. BRACKETED DIMENSIONS AND TOLERANCES ARE IN MILLIMETERS.

NOTES:

THE USE OF THIS DOCUMENT IS UNLIMITED. HOWEVER, DOCUMENTS REFERENCED HEREON MAY CONTAIN LIMITED RIGHTS DATA.

RELEASED / Feb. 13 2004, 11:06 AM

PRO/ENGINEER INFORMATION	
N/A	Pro/e Model Used:
N/A	10-638976.ASSEM
	Drawing Name:
	10-638976

UNLESS OTHERWISE SPECIFIED
SPECIFICATIONS
LINEAR DIMENSIONS ARE IN INCHES
TOLERANCES:
.XXXX = ±.0005 ANGLES= ±2°
.XXX = ±.010
.XX = ±.03
.X = ±.1
DIM. & TOL. PER ASME Y14.5M;
DRM PER MIL-DTL-31000;
OTHER Amphenol Sds. PER 9-3800
LEGENDS:
= FLAG NOTE CALL OUT
REFERENCE ONLY

MATERIAL SPEC.
N/A
PROCESS SPEC.
N/A

POS	QTY	PART NUMBER	DESCRIPTION	NOTE
3	2	10-638984-001	PIN, CRIMP, DEAD FRONT	3
2	2	10-251414-008	CLIP, RETENTION, #8	2
1	1	10-638980	RECEPTACLE HOUSING	

APPROVALS		DATE
PREPARED BY	J. SANDBURG	04-Nov-03
ENGINEER IN CHARGE	D. GALLUSSER	
DESIGN MANAGER	D. GALLUSSER	
DESIGN ACTIVITY GROUP	C & I	
THIRD ANGLE PROJECTION		

PARTS LIST			
AMPHENOL CORPORATION 40-60 DELAWARE AVENUE SIDNEY, N.Y. 13838			
RECEPTACLE CONNECTOR 2 POSITION AMPHE-COM CRIMP TERMINATION			
SIZE C	CAGE CODE 77820	DOCUMENT NO. 10-638976	REV. A
SCALE: 3.0 REF:		N/A	SHEET 1 OF 1

DOCUMENT NO. 10-638976 SHEET 1 OF 1 REV. A

DOCUMENT NO. 10-638976 SHEET 1 OF 1 REV. A

X-ON Electronics

Largest Supplier of Electrical and Electronic Components

Click to view similar products for [Heavy Duty Power Connectors](#) category:

Click to view products by [Amphenol](#) manufacturer:

Other Similar products are found below :

[647757-1](#) [6643411-1](#) [6646058-2](#) [6646137-1](#) [6646138-1](#) [6646479-1](#) [6646608-1](#) [6646786-1](#) [6646940-1](#) [6651091-1](#) [6651525-1](#) [6651529-1](#)
[6651788-1](#) [696475-1](#) [73000005059](#) [73000005642](#) [765-15-0080A](#) [765-16-0080B](#) [829992-1](#) [902-77-02113](#) [129-1J](#) [AN0024023](#) [E6374G1](#)
[e6389g2](#) [157-43GW8](#) [MS3117-14AC](#) [1643543-1](#) [1650540-1](#) [1651811-2](#) [1766260-1](#) [1766282-1](#) [1766966-1](#) [1791340000](#) [NLDFT-3-BL-L-](#)
[S120-M40A](#) [NLDFT-N-W-L-C240-M40B](#) [NLS-2-R-C240-M40B](#) [NLS-N-W-C240-M40B](#) [NPS-3-BL-T6](#) [1986615-1](#) [2-1589900-8](#) [2199314-1](#)
[KA8102](#) [9300480317](#) [SBS50BRN#6](#) [29131](#) [29652](#) [1646905-1](#) [1648320-1](#) [1648582-1](#) [1650195-2](#)