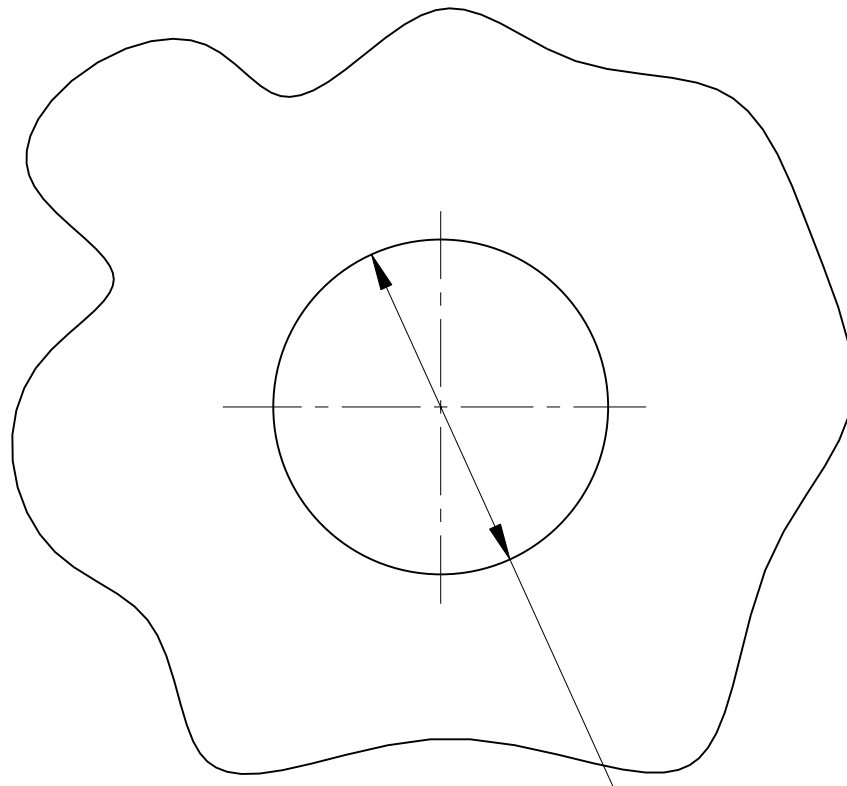
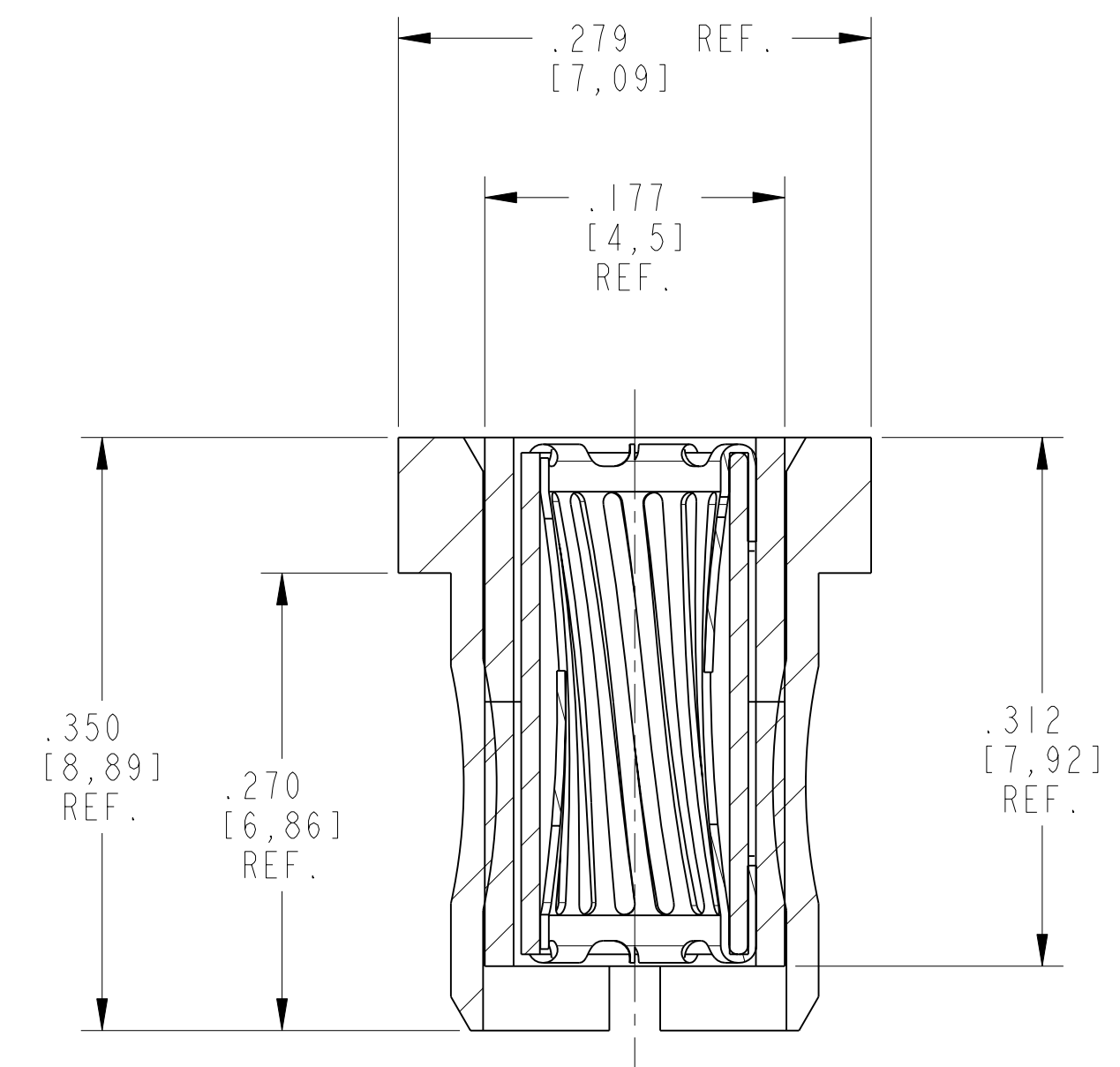
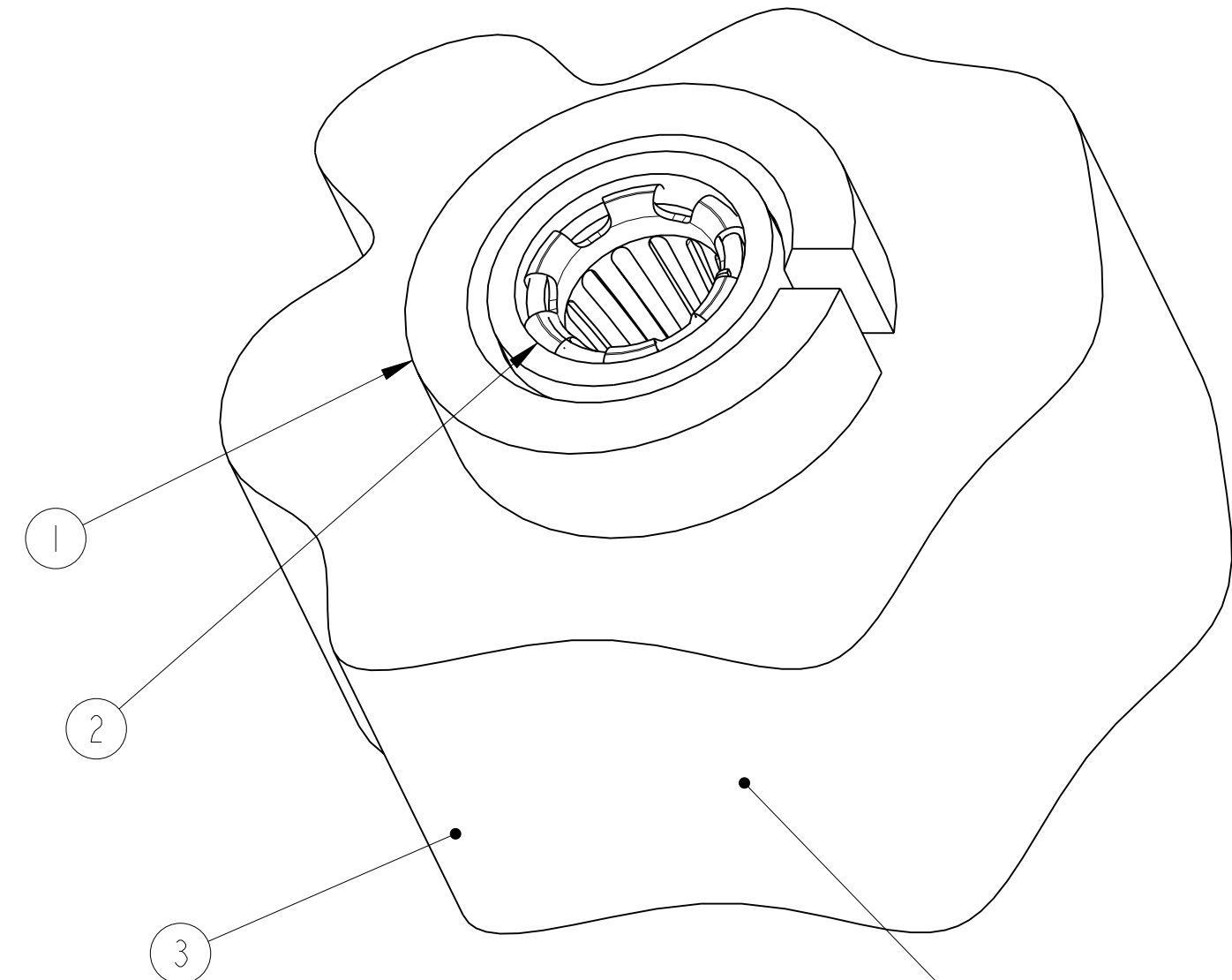


REV. A	SHEET 1 OF 2	DOCUMENT NO. 10-639772-001
REVISIONS		
LTR	DESCRIPTION	DATE
A	INITIAL RELEASE	



Ø .2180 ± .0030  
[5,537 ± 0,076]  
PTH

RECOMMENDED PCB THICKNESS: .250 ± .025



SECTION A-A

PRINTED CIRCUIT BOARD SHOWN FOR REFERENCE ONLY.

3. RADSOK SHOWN MATES WITH AS SIZE 12 PIN.  
RECOMMENDED PIN CONFIGURATION: Ø.094 ± .001 WITH A SPHERICAL RADIUS.
2. RADSOK CARTRIDGE, ITEM 2, IS PRESSED TO FINAL POSITION IN BUSHING, ITEM 1, TO DIMENSION SHOWN. CARE IS TO BE TAKEN TO ENSURE CARTRIDGE IS PRESSED PERPENDICULAR TO BOARD.
1. RADSOK BUSHING, ITEM 1, IS INSTALLED INTO PCB, ITEM 3 AS SHOWN. ITEMS 1 AND 2 ARE SUPPLIED PRE-INSTALLED BUT THE RADSOK MUST BE PRESSED TO FINAL POSITION (SEE NOTE 2).

**NOTES:**

THE USE OF THIS DOCUMENT IS UNLIMITED. HOWEVER, DOCUMENTS REFERENCED HEREON MAY CONTAIN LIMITED RIGHTS DATA.

N/A  
NEXT ASSEMBLY

PRO/ENGINEER INFORMATION  
Pro/e Model Used:  
10-639772.ASSEM  
Drawing Name:  
10-639772

UNLESS OTHERWISE SPECIFIED  
SPECIFICATIONS  
MATERIAL SPEC.  
N/A  
PROCESS SPEC.  
N/A

LINEAR DIMENSIONS ARE IN INCHES  
TOLERANCES:  
.XXXX = ±.0005 ANGLES= ±2°  
.XXX = ±.010  
.XX = ±.03  
.X = ±.1

DIM. & TOL. PER ASME Y14.5M;  
DRM PER MIL-DTL-31000;  
OTHER Amphenol Stds. PER 9-3800

LEGENDS:  
= FLAG NOTE CALL OUT REFERENCE ONLY

POS	QTY	PART NUMBER	DESCRIPTION	NOTE
3	--	N/A	PRINTED CIRCUIT BOARD	
2	1	10-639678-001	RADSOK CARTRIDGE (HO)	
1	1	10-639726-001	2.4MM RADSERT BUSHING	

APPROVALS		DATE
PREPARED BY	M. UPPLER	06-01-06
ENGINEER IN CHARGE	R. BARNES	
DESIGN MANAGER	N/A	
DESIGN ACTIVITY GROUP	C&I	
THIRD ANGLE PROJECTION		

PARTS LIST

**AMPHENOL CORPORATION**  
40-60 DELAWARE AVENUE  
SIDNEY, N.Y. 13858

**2.4MM RADSOK/RADSERT KIT  
PCB MOUNTED PRESS-FIT, SILVER  
MATES WITH SIZE 12 PIN**

SIZE <b>C</b>	CAGE CODE <b>77820</b>	DOCUMENT NO. <b>10-639772-001</b>	REV. <b>A</b>
SCALE: 10:0		REF.	SHEET 1 OF 2

DOCUMENT NO. 10-639772-001

SHEET 1 OF 2

REV. A

C

B

A

FORMAT: C-U-E-1

D

C

VERSION 2

REVISION A

RELEASE STATE Released

REV. A

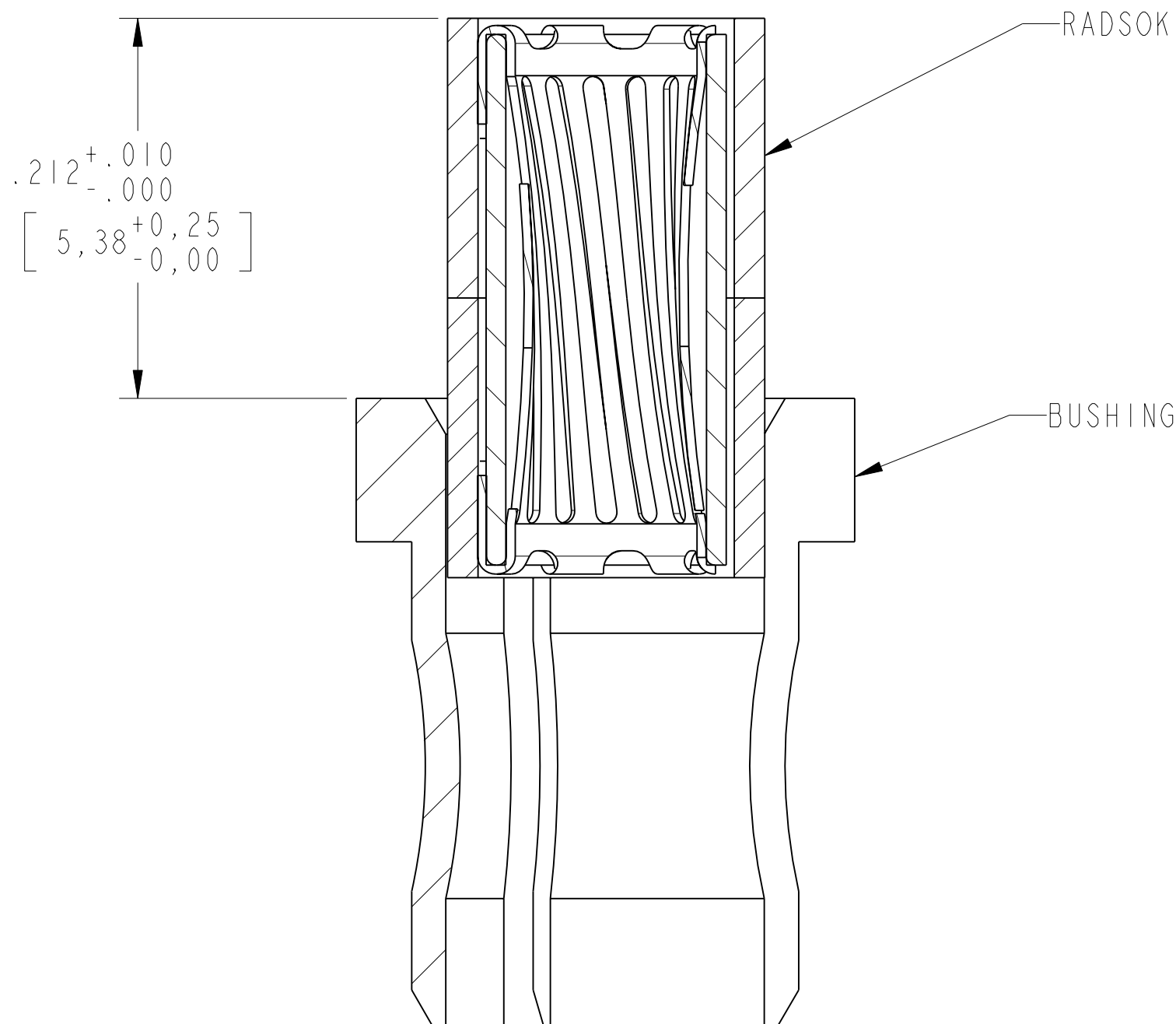
SHEET 1 OF 2

DOCUMENT NO. 10-639772-001

10-639772-001

SHEET 2 OF 2

REV. A



PRE-INSTALL POSITION OF RADSOK

4. RADSOK CARTRIDGE IS PRESSED INTO BUSHING TO DIMENSION SHOWN. CARE TO BE TAKEN TO ENSURE CARTRIDGE IS INSTALLED PARALLEL TO BORE IN BUSHING.

NOTES:

THE USE OF THIS DOCUMENT IS UNLIMITED. HOWEVER, DOCUMENTS REFERENCED HEREON MAY CONTAIN LIMITED RIGHTS DATA.

RELEASED / Jun . 28 2007, 09:10 AM

DOCUMENT NO. 10-639772-001

SHEET 2 OF 2

REV. A

SIZE C	CAGE CODE 77820	DOCUMENT NO. 10-639772-001	REV. A
SCALE: 10.0		REF:	SHEET 2 OF 2

RELEASE STATE Released  
 REVISION A  
 REGION 2

REV. A  
SHEET 2 OF 2

DOCUMENT NO. 10-639772-001

FORMAT: C-J, E-I

## X-ON Electronics

Largest Supplier of Electrical and Electronic Components

*Click to view similar products for [Power to the Board](#) category:*

*Click to view products by [Amphenol](#) manufacturer:*

Other Similar products are found below :

[6450171-4](#) [6450552-7](#) [6600323-8](#) [6643429-1](#) [6646040-2](#) [6651939-1](#) [6766604-1](#) [120959-1](#) [1393557-2](#) [1393532-2](#) [1393532-3](#) [1393532-4](#)  
[1393557-1](#) [1600812-5](#) [1-6450861-2](#) [1744132-7](#) [1761122-1](#) [1766250-1](#) [1892109-1](#) [2-6450860-5](#) [2-6450870-0](#) [1-6450161-4](#) [1-6450850-6](#) [1-](#)  
[6450869-6](#) [1645526-2](#) [1-6600130-0](#) [2005243-2](#) [TE34-12-16P-F0](#) [5-6450830-6](#) [5646956-4](#) [4-6450830-9](#) [4-6600333-3](#) [10125416-4050LF](#)  
[6600320-3](#) [3-6450860-5](#) [1888123-2](#) [6450166-1](#) [6643978-1](#) [6766605-1](#) [N11444](#) [6651938-1](#) [6450810-7](#) [46437-1112](#) [1-1589677-8](#) [5646956-5](#)  
[6450813-2](#) [6450129-4](#) [1645523-1](#) [PSS-06-01-T-S](#) [0465621864](#)