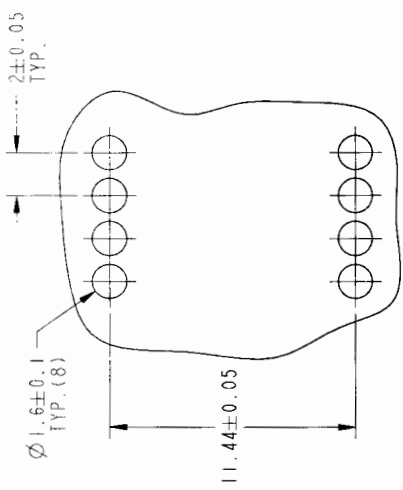


Part No.: CH20710003

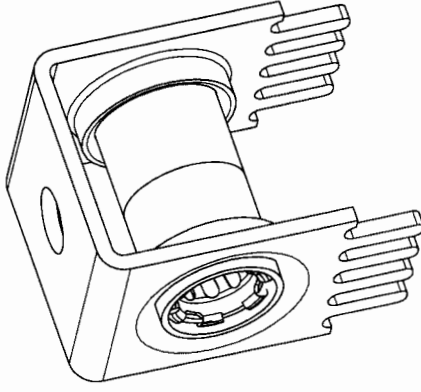
10-639801-000

SHEET 1 OF 1

D



LINEAR DIMENSIONS ARE IN MM  
THRU HOLES SPECIFICATION OF PCB

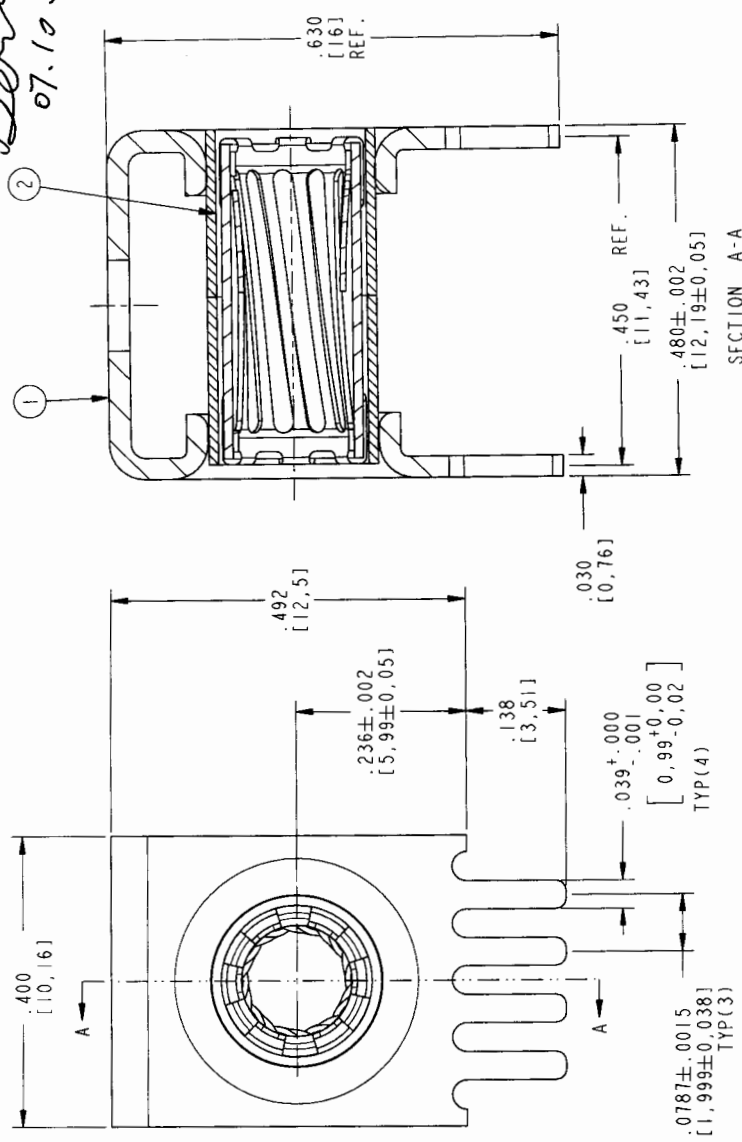


SCALE 6.000

ORIGINAL COPY (正宗原板)  
11 OCT 2007  
DOCUMENT CONTROL

REV	DATE	DESCRIPTION
1	01-08-05	INITIAL RELEASE
2	01-09-26	PART 10-639799-002 ADDS A HOUND
3	01-09-26	MODIFY THE DIMENSION
4	07-10-08	ADD PCB LAYOUT

*Derin Li*  
07.10.10



SECTION A-A

UNLESS OTHERWISE SPECIFIED	SPECIFICATIONS
LINEAR DIMENSIONS ARE IN INCHES TOLERANCES: .XXX = ±.0005 ANGLES = ±° .XX = ±.010 .X = ±.1	MATERIAL SPEC. N/A
DIM. & TOL. PER ASME Y14.5M; DIM. PER MIL-DTL-31000; OTHER AMPHENOL SPECS. PER 9-3800	PROCESS SPEC. N/A
PROTECTOR INFORMATION P257/C MOUNTING USEG. ISOLATION MASK DRAWING NAME: DRAWING NO.:	THIRD ANGLE PROJECTION

POS	QTY	PART NUMBER	DESCRIPTION	NOTE
2	1	10-6393356-001	3.6MM "SHORT" RADSOX ASSEMBLY	
1	1	10-639799-002	3.6MM PGY MOUNT HOLDER	

AMPHENOL CORPORATION  
3.6MM RADSOX PCB MOUNT ASSEMBLY  
C 77820 10-639801-000  
SCALE: 8.0 REF.  
SHEET 1 OF 1

NOTES

THE USE OF THIS DOCUMENT IS UNLIMITED.  
HOWEVER, DOCUMENTS REFERENCED HEREON  
MAY CONTAIN LIMITED RIGHTS DATA.

10-639801-000 SHEET 1 OF 1 D

10-639801-000 SHEET 1 OF 1 D

## X-ON Electronics

Largest Supplier of Electrical and Electronic Components

*Click to view similar products for [Power to the Board](#) category:*

*Click to view products by [Amphenol](#) manufacturer:*

Other Similar products are found below :

[6450171-4](#) [6450552-7](#) [6600323-8](#) [6643429-1](#) [6646040-2](#) [6651939-1](#) [6766604-1](#) [120959-1](#) [1393557-2](#) [1393532-2](#) [1393532-3](#) [1393532-4](#)  
[1393557-1](#) [1600812-5](#) [1-6450861-2](#) [1744132-7](#) [1761122-1](#) [1766250-1](#) [1892109-1](#) [2-6450860-5](#) [2-6450870-0](#) [1-6450161-4](#) [1-6450850-6](#) [1-](#)  
[6450869-6](#) [1645526-2](#) [1-6600130-0](#) [2005243-2](#) [TE34-12-16P-F0](#) [5-6450830-6](#) [5646956-4](#) [4-6450830-9](#) [4-6600333-3](#) [10125416-4050LF](#)  
[6600320-3](#) [3-6450860-5](#) [1888123-2](#) [6450166-1](#) [6643978-1](#) [6766605-1](#) [N11444](#) [6651938-1](#) [6450810-7](#) [46437-1112](#) [1-1589677-8](#) [5646956-5](#)  
[6450813-2](#) [6450129-4](#) [1645523-1](#) [PSS-06-01-T-S](#) [0465621864](#)