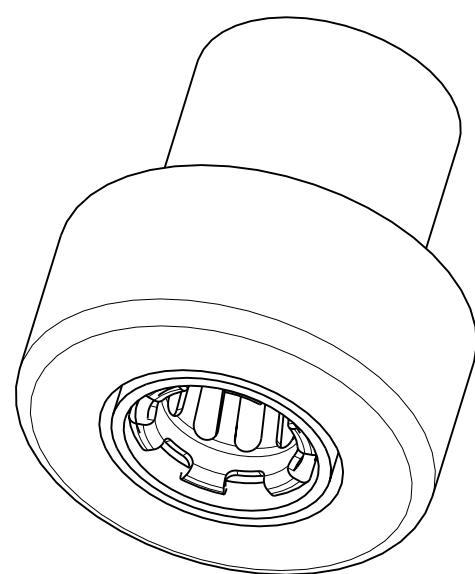
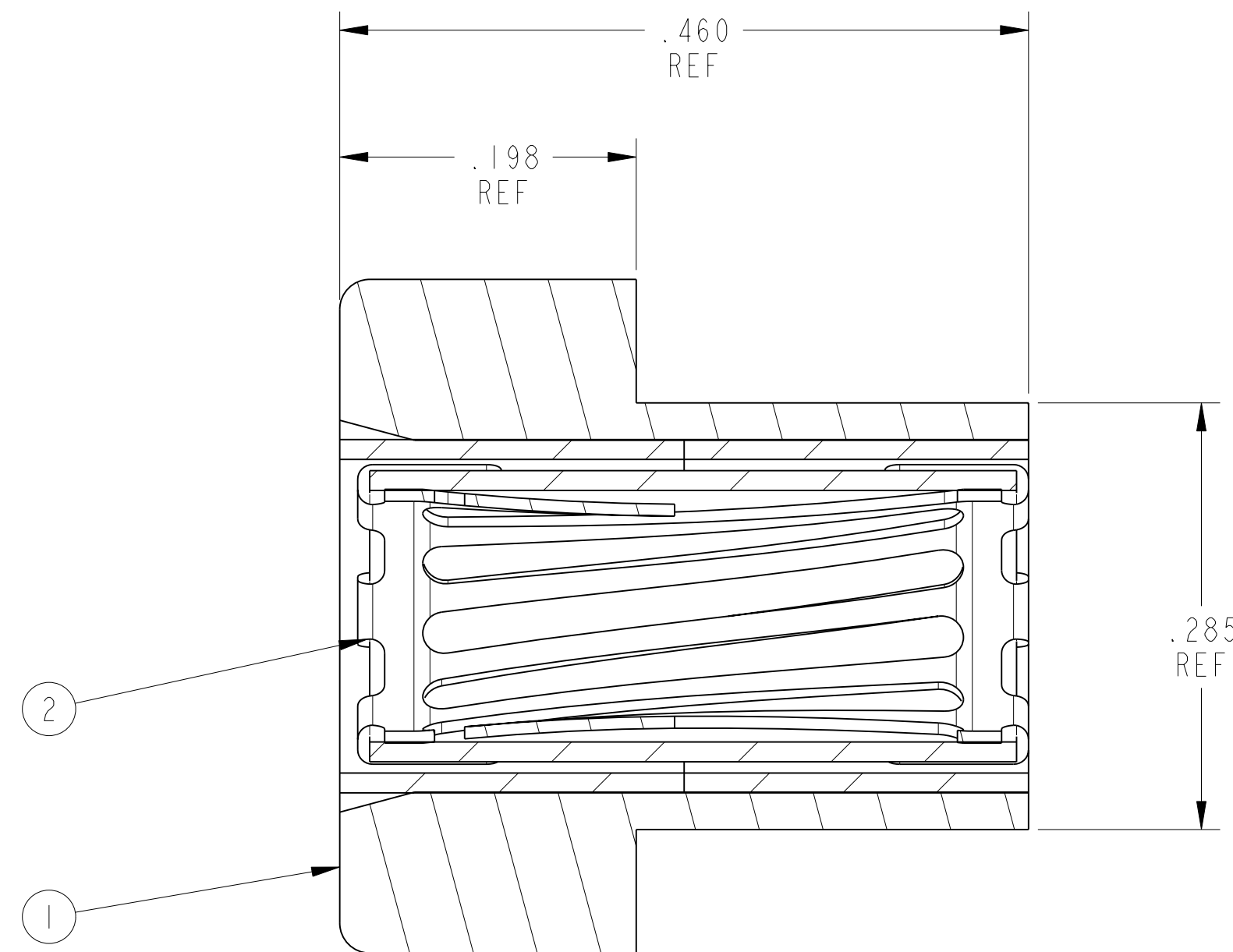
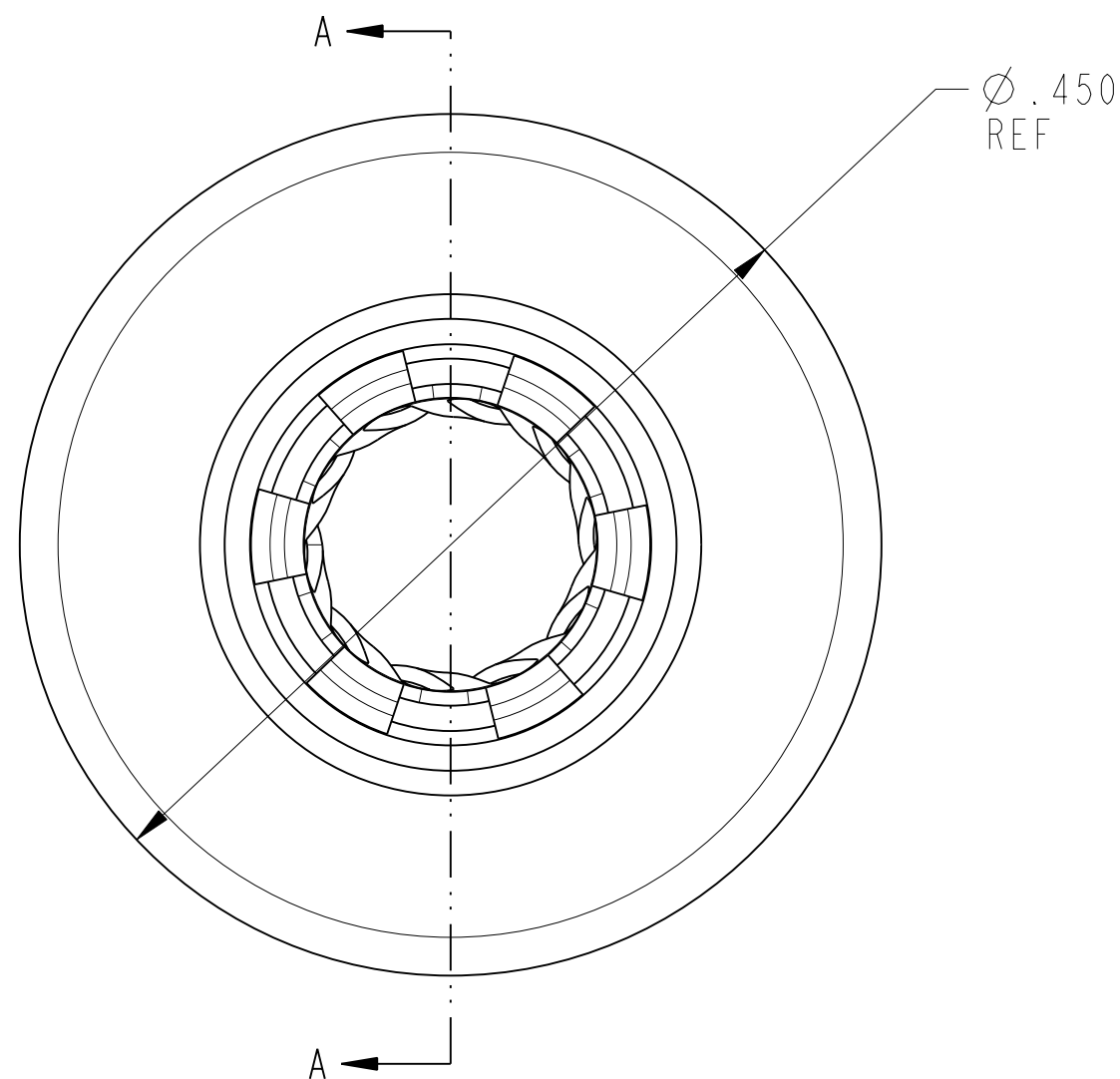


REV. A	SHEET 1 OF 1	DOCUMENT NO. 10-642865-001
REVISIONS		
LTR	DESCRIPTION	DATE
A	INITIAL RELEASE	



SCALE 5.000



SECTION A-A

- 3) RADSERT TO BE INSERTED INTO .305 +/- .003 FINISHED PTH THEN SOLDERED
- 2) SILVER PLATE PER 9-9417-1
- 1) APPROX. SURFACE AREA: 2.670 SQ. IN.

NOTES:

THE USE OF THIS DOCUMENT IS UNLIMITED. HOWEVER, DOCUMENTS REFERENCED HEREON MAY CONTAIN LIMITED RIGHTS DATA.

RELEASED / Jun . 22 2007, 04:17 PM

DOCUMENT NO. 10-642865-001

SHEET 1 OF 1

REV. A

PRO/ENGINEER INFORMATION
 Pro/e Model Used:
 10-642865-001.ASSEM
 Drawing Name:
 10-642865-001

N/A

NEXT ASSEMBLY

UNLESS OTHERWISE SPECIFIED

LINEAR DIMENSIONS ARE IN INCHES
 TOLERANCES:
 .XXXX = ±.0005 ANGLES= ±2°
 .XXX = ±.010
 .XX = ±.03
 .X = ±.1

DIM. & TOL. PER ASME Y14.5M;
 DRM PER MIL-DTL-31000;
 OTHER Amphenol Stds. PER 9-3800
 LEGENDS:
 = FLAG NOTE CALL OUT REFERENCE ONLY

SPECIFICATIONS

MATERIAL SPEC.
 N/A

PROCESS SPEC.

SEE NOTE #2

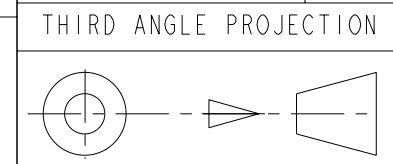
POS	QTY	PART NUMBER	DESCRIPTION	NOTE
2	1	10-639358-00B	3.6MM SHORT RADSOK	
1	1	10-639968-00B	3.6MM RADSERT HOLDER	

PARTS LIST

APPROVALS	DATE
PREPARED BY M. UPPLER	
ENGINEER IN CHARGE J. SANDBURG	08-Mar-07
DESIGN MANAGER N/A	
DESIGN ACTIVITY GROUP C&I	

AMPHENOL CORPORATION
 40-60 DELAWARE AVENUE
 SIDNEY, N.Y. 13858

**3.6MM RADSOK RADSERT ASSEMBLY
 SOLDER VERSION MATES WITH 3.6MM PIN**



SIZE C	CAGE CODE 77820	DOCUMENT NO. 10-642865-001	REV. A
SCALE: 10.0	REF.	SHEET 1 OF 1	

10-642865-001

SHEET 1 OF 1

REV. A

VERSION 0

RELEASE STATE Released

REVISION A

REV. A

SHEET 1 OF 1

REV. A

SHEET 1 OF 1

10-642865-001

X-ON Electronics

Largest Supplier of Electrical and Electronic Components

Click to view similar products for [Power to the Board](#) category:

Click to view products by [Amphenol](#) manufacturer:

Other Similar products are found below :

[6450171-4](#) [6450552-7](#) [6600323-8](#) [6643429-1](#) [6646040-2](#) [6651939-1](#) [6766604-1](#) [120959-1](#) [1393557-2](#) [1393532-2](#) [1393532-3](#) [1393532-4](#)
[1393557-1](#) [1600812-5](#) [1-6450861-2](#) [1744132-7](#) [1761122-1](#) [1766250-1](#) [1892109-1](#) [2-6450860-5](#) [2-6450870-0](#) [1-6450161-4](#) [1-6450850-6](#) [1-](#)
[6450869-6](#) [1645526-2](#) [1-6600130-0](#) [2005243-2](#) [TE34-12-16P-F0](#) [5-6450830-6](#) [5646956-4](#) [4-6450830-9](#) [4-6600333-3](#) [10125416-4050LF](#)
[6600320-3](#) [3-6450860-5](#) [1888123-2](#) [6450166-1](#) [6643978-1](#) [6766605-1](#) [N11444](#) [6651938-1](#) [6450810-7](#) [46437-1112](#) [1-1589677-8](#) [5646956-5](#)
[6450813-2](#) [6450129-4](#) [1645523-1](#) [PSS-06-01-T-S](#) [0465621864](#)