



## Tru-Loc® Splitter

### Amphenol Industrial Tru-Loc® Splitter for Harsh Environments

Amphenol Industrial introduces a Splitter connector complimentary to its Tru-Loc® family of products. The Tru-Loc® Splitter is designed to take a single 6-Way Tru-Loc® Plug and split the signal or power into two identical 6-Way Tru-Loc Plugs without degradation or intermittency.

The Tru-Loc® Splitter features a molded thermoplastic body resistant to many fluids, including diesel fuel making this series ideal for harsh environments. True to the series, the Tru-Loc® Splitter is vibration resistant to 32 grms, IP67 rated and can withstand operating temperatures up to 150°C. Amphenol's Splitter offers a means to combine many sensors into a single Engine Control Unit. The Splitter effectively branches a single six-circuit connector harness into two individual six-circuit connector harnesses while maintaining a matched impedance of 120 Ohms between the I/O power circuits and CAN circuits. The greatest benefit is being able to put both Power and CAN into a single connector harness reducing the number of connectors and harnesses produced by 2x for the CAN application. Amphenol Industrial offers a 6-Way Plug with contacts for either 16AWG or 20AWG wire and a 6-Way Terminating Resistor Plug - fitted with a 120 Ohm resistor for use at the end of the bus.

#### Features:

- Ingress Protection – IP67 rated
- Gold Plated 1.5mm Pin Contacts
- Resilient up to 32 grms vibration
- Dielectric Withstanding Voltage – 1600 Vac RMS
- Matched Impedance 120 Ohms, 2 pairs
- Operating Temperature -40°C to 150°C

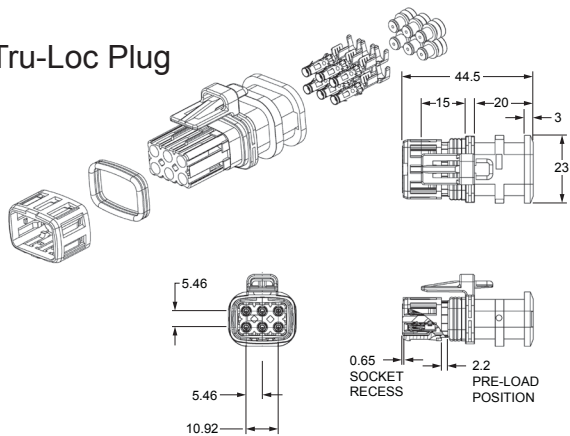


<b>Material Specification</b>	
Plug with RADSOK® Socket Contacts	
Plug Body	Nylon
Wire Seal	Silicone
Main Joint Seal	Fluoroelastomer
Socket Contact	Copper Alloy w/ Stainless Steel Hood
Receptacle with Pin Contacts	
Receptacle Body	Nylon
Pin Contact	Copper Alloy

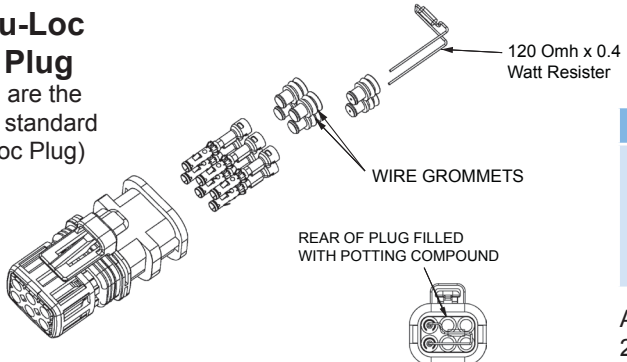
<b>Electrical Specifications</b>	
Dielectric Withstanding Voltage (Test Voltage)	1600 Vac RMS
Current Rating	13 amp (DC) (16 AWG Cable)
Insulation Resistance	100 M Ohms

<b>Mechanical Specifications</b>	
Connector Mating Force	<70 N (15.7 lb)
Contact Retention	Primary Only: 80 N (18.0 lb) Secondary Only: 60 N (13.5 lb)
Vibration	32 g RMS
Operating Temperature Range	-40°/+125°C or +150°C depending on PN;
	100 cycles, 1 hour per cycle
Ingress Protection	IP67
Durability (Mating Cycle)	20 cycles

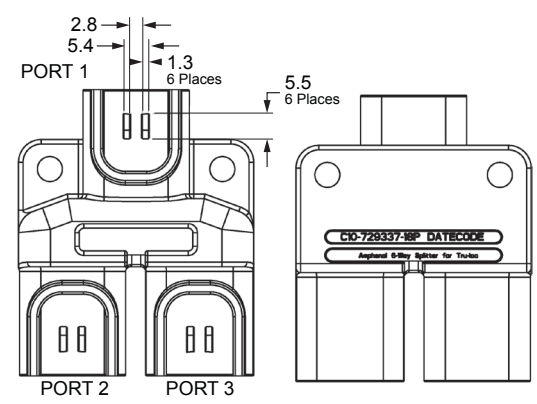
**Plug**  
6 Way Tru-Loc Plug



**6 Way Tru-Loc Resistor Plug**  
(Dimensions are the same as the standard 6 Way Tru-Loc Plug)



**Receptacle**  
Tru-Loc Splitter Receptacle for 6 Way Plugs



Part Number	Description
C10-708354-000	Hand crimper with 20-22 AWG Die
C10-708360-000	6 Way Tru-Loc Dummy Plug
C10-708305-000	6 Way Tru-Loc Resistor Plug
C10-708353-000	6 Way Tru-Loc Plug, Gold Contacts for 20 AWG Wire
C10-729337-18P	Tru-Loc Splitter Receptacle for 6 Way Plugs

Ask about our custom matched impedance cable with 2 sets of 20AWG twisted pairs, each rated for 120 Ohms impedance.

For additional information on Amphenol's family of Tru-Loc products, please ask for our Tru-Loc data sheet (IDS-16) or download it from our website in the Data Sheets section.

## X-ON Electronics

Largest Supplier of Electrical and Electronic Components

*Click to view similar products for [Heavy Duty Power Connectors](#) category:*

*Click to view products by [Amphenol](#) manufacturer:*

Other Similar products are found below :

[647757-1](#) [6643411-1](#) [6646058-2](#) [6646137-1](#) [6646138-1](#) [6646479-1](#) [6646608-1](#) [6646786-1](#) [6646940-1](#) [6651091-1](#) [6651525-1](#) [6651529-1](#)  
[6651788-1](#) [696475-1](#) [73000005059](#) [73000005642](#) [765-15-0080A](#) [765-16-0080B](#) [829992-1](#) [902-77-02113](#) [129-1J](#) [AN0024023](#) [E6374G1](#)  
[e6389g2](#) [157-43GW8](#) [MS3117-14AC](#) [1643543-1](#) [1650540-1](#) [1651811-2](#) [1766260-1](#) [1766282-1](#) [1766966-1](#) [1791340000](#) [NLDFT-3-BL-L-](#)  
[S120-M40A](#) [NLDFT-N-W-L-C240-M40B](#) [NLS-2-R-C240-M40B](#) [NLS-N-W-C240-M40B](#) [NPS-3-BL-T6](#) [1986615-1](#) [2-1589900-8](#) [2199314-1](#)  
[KA8102](#) [9300480317](#) [SBS50BRN#6](#) [29131](#) [29652](#) [1646905-1](#) [1648320-1](#) [1648582-1](#) [1650195-2](#)