



Tru-Loc® Splitter

Amphenol Industrial Tru-Loc® Splitter for Harsh Environments

Amphenol Industrial introduces a Splitter connector complimentary to its Tru-Loc® family of products. The Tru-Loc® Splitter is designed to take a single 6-Way Tru-Loc® Plug and split the signal or power into two identical 6-Way Tru-Loc Plugs without degradation or intermittency.

The Tru-Loc® Splitter features a molded thermoplastic body resistant to many fluids, including diesel fuel making this series ideal for harsh environments. True to the series, the Tru-Loc® Splitter is vibration resistant to 32 grms, IP67 rated and can withstand operating temperatures up to 150°C. Amphenol's Splitter offers a means to combine many sensors into a single Engine Control Unit. The Splitter effectively branches a single six-circuit connector harness into two individual six-circuit connector harnesses while maintaining a matched impedance of 120 Ohms between the I/O power circuits and CAN circuits. The greatest benefit is being able to put both Power and CAN into a single connector harness reducing the number of connectors and harnesses produced by 2x for the CAN application. Amphenol Industrial offers a 6-Way Plug with contacts for either 16AWG or 20AWG wire and a 6-Way Terminating Resistor Plug - fitted with a 120 Ohm resistor for use at the end of the bus.

Features:

- Ingress Protection – IP67 rated
- Gold Plated 1.5mm Pin Contacts
- Resilient up to 32 grms vibration
- Dielectric Withstanding Voltage – 1600 Vac RMS
- Matched Impedance 120 Ohms, 2 pairs
- Operating Temperature -40°C to 150°C

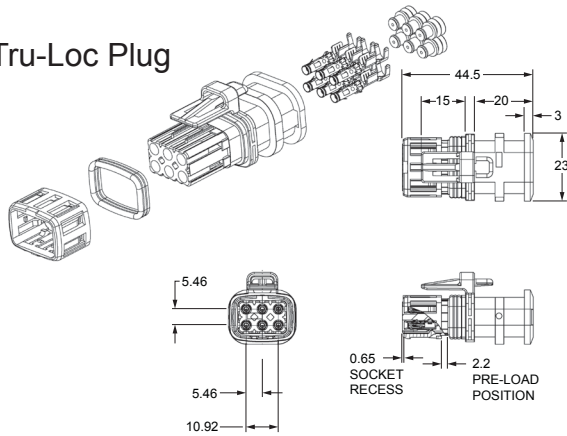


Material Specification	
Plug with RADSOK® Socket Contacts	
Plug Body	Nylon
Wire Seal	Silicone
Main Joint Seal	Fluoroelastomer
Socket Contact	Copper Alloy w/ Stainless Steel Hood
Receptacle with Pin Contacts	
Receptacle Body	Nylon
Pin Contact	Copper Alloy

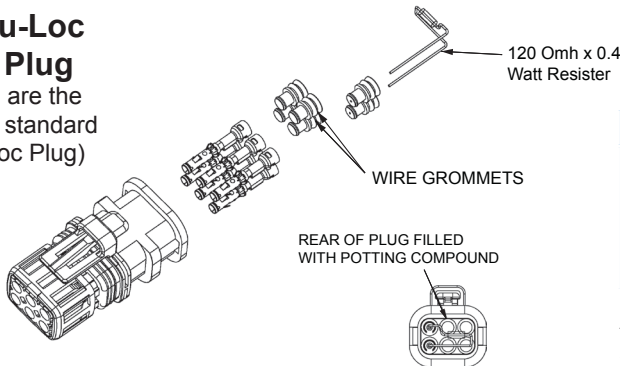
Electrical Specifications	
Dielectric Withstanding Voltage (Test Voltage)	1600 Vac RMS
Current Rating	13 amp (DC) (16 AWG Cable)
Insulation Resistance	100 M Ohms

Mechanical Specifications	
Connector Mating Force	<70 N (15.7 lb)
Contact Retention	Primary Only: 80 N (18.0 lb) Secondary Only: 60 N (13.5 lb)
Vibration	32 g RMS
Operating Temperature Range	-40°/+125°C or +150°C depending on PN;
	100 cycles, 1 hour per cycle
Ingress Protection	IP67
Durability (Mating Cycle)	20 cycles

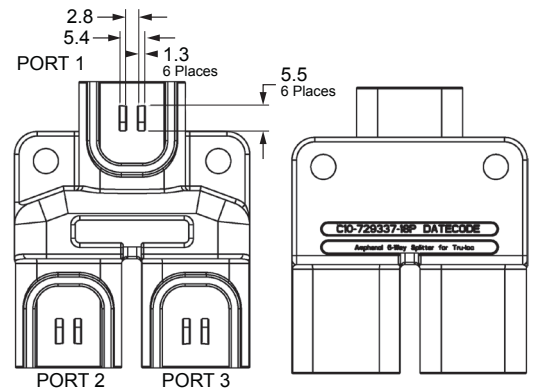
Plug 6 Way Tru-Loc Plug



6 Way Tru-Loc Resistor Plug (Dimensions are the same as the standard 6 Way Tru-Loc Plug)



Receptacle Tru-Loc Splitter Receptacle for 6 Way Plugs



Part Number	Description
C10-708354-000	Hand crimper with 20-22 AWG Die
C10-708360-000	6 Way Tru-Loc Dummy Plug
C10-708305-000	6 Way Tru-Loc Resistor Plug
C10-708353-000	6 Way Tru-Loc Plug, Gold Contacts for 20 AWG Wire
C10-729337-18P	Tru-Loc Splitter Receptacle for 6 Way Plugs

Ask about our custom matched impedance cable with 2 sets of 20AWG twisted pairs, each rated for 120 Ohms impedance.

For additional information on Amphenol's family of Tru-Loc products, please ask for our Tru-Loc data sheet (IDS-16) or download it from our website in the Data Sheets section.

For further information on your individual application requirements, contact: Amphenol Corporation

North America:
Amphenol Industrial Operations
180 N. Freeport Drive, Plant 4
Nogales, AZ 85621
Tel: (888) 364-9011
Fax: (520) 285-5134

Email: tech@amphenol-aio.com

Europe:
Amphenol Industrial Operations Europe
Via Barbaiana 5
1-20020 Lainate (MI) Italy
Tel: +39 02 93254.204
Fax: +39 02 93254.444

Email: info@amphenol-aio.com

Middle East:
Amphenol Middle East Enterprises FZE
Office C-37 PO Box 21107
Ajman Free Zone, UAE
Tel: +9 716-7422494
Fax: +9 716-7422941

Email: jhussain@amphenol-industrial.com

Asia:
Amphenol Technology (Zhuhai) Co., Ltd.
No. 63 Xin Han Road, San Zao Town
Jin Wan District, Zhuhai City, China 519040
Tel: +86 756-3989760
Fax: +86 756-3989768

Email: enquiry@amphenol-aio.com

X-ON Electronics

Largest Supplier of Electrical and Electronic Components

Click to view similar products for [Automotive Connectors](#) category:

Click to view products by [Amphenol](#) manufacturer:

Other Similar products are found below :

[003-018-000](#) [60403001](#) [60993906-B](#) [M902-2131](#) [M902-2161](#) [72.330.1035.1](#) [73.353.4028.0](#) [F119300-B](#) [F166900](#) [F258300-B](#) [F358300-B](#)
[F407400](#) [F444110](#) [F487000](#) [F509500B-B](#) [827153-1](#) [8N1515-32-24P](#) [9-1326729-8](#) [925474-1](#) [928905-1](#) [964562-4](#) [968782-1](#) [GT17SA-8DS-](#)
[HU](#) [98891-1012](#) [98947-1016](#) [12004475-L](#) [12010290](#) [12010309-B](#) [12015454](#) [12020219-B](#) [12020308](#) [12041318-B](#) [12052225-L](#) [12052466](#)
[12059125](#) [12064869](#) [12004327-B](#) [12010503-B](#) [12015308](#) [12015384](#) [12015909](#) [1-21030-1](#) [12041254](#) [12041318](#) [12047946-B](#) [12047957](#)
[12047957-L](#) [12059473](#) [12066261](#) [12110546](#)