

GENERAL TOLERANCE

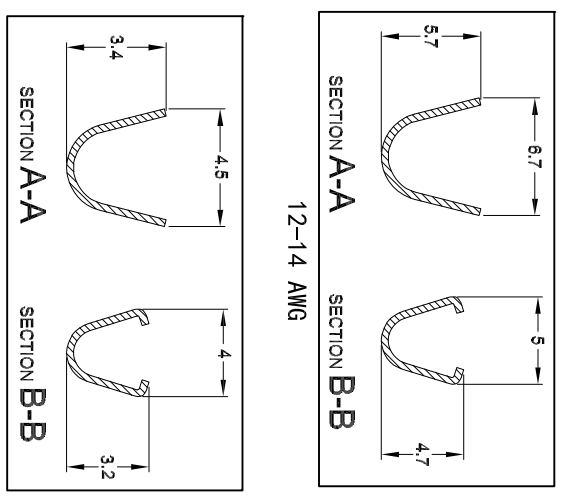
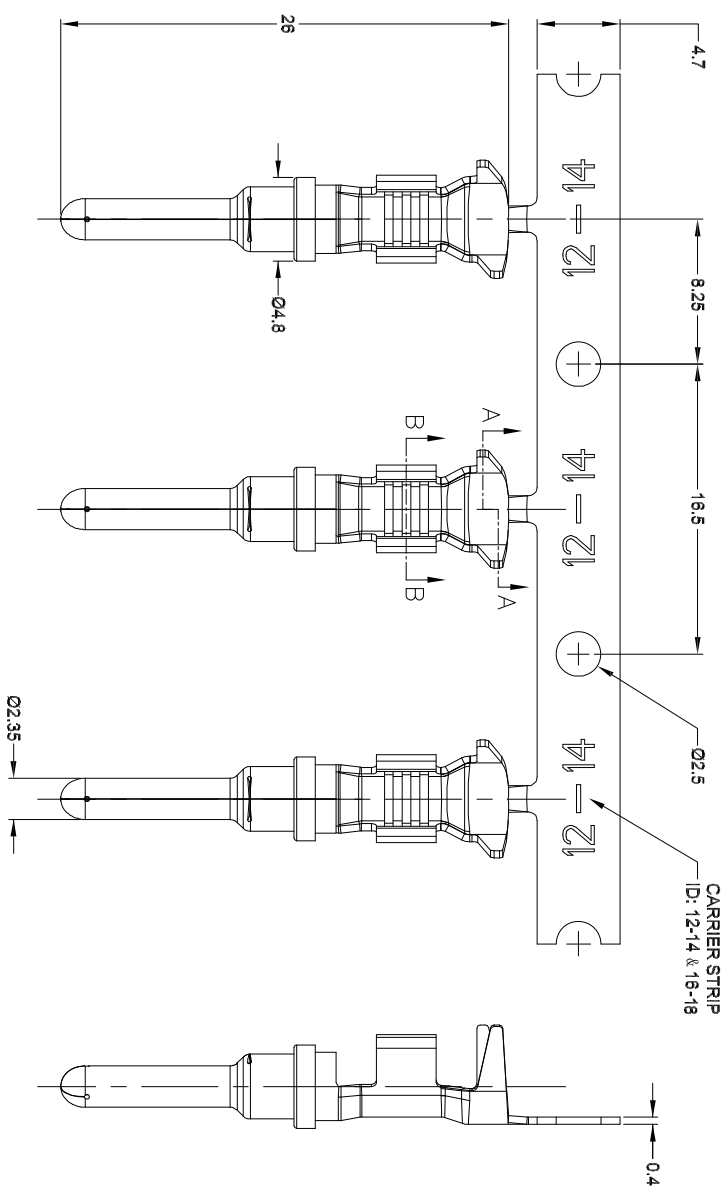
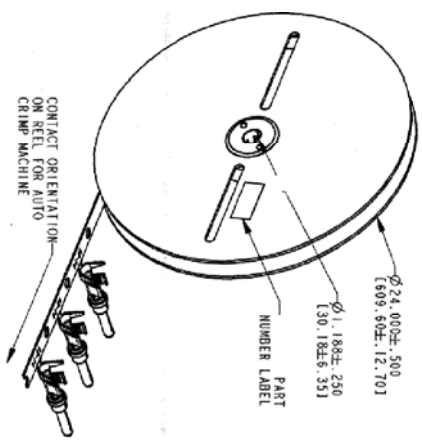
DIM. RANGE	05 - 3	> 3 - 6	> 6 - 30	> 30 - 120	> 120 - 400
TOLERANCE	±0.1	±0.1	±0.2	±0.3	±0.5

TABLE 1

PART NUMBER	FINISH	MEETING WITH WIRE AWG
C10-730239-121	120-150 MICRO INCH TIN OVER 80 MICRO INCH NICKEL	
C10-730239-122	80 MICRO INCH NICKEL	12-14 AWG
C10-730239-123	GOLD FLASH OVER 80 MICRO INCH NICKEL	
C10-730239-131	120-150 MICRO INCH TIN OVER 80 MICRO INCH NICKEL	
C10-730239-132	80 MICRO INCH NICKEL	16-18 AWG
C10-730239-133	GOLD FLASH OVER 80 MICRO INCH NICKEL	

CUSTOMER DRAWING

REV	DESCRIPTION	DATE
PAI	INITIAL RELEASE	2015-11-14



- SEE TABLE 1 FOR FINISH DESCRIPTION AND SPECIFICATION (IF APPLICABLE).
- CONTACTS TO BE SUPPLIED ON A REEL WITH 2,000 CONTACTS PER REEL.
- UNLESS OTHERWISE SPECIFIED, ALL DIMENSIONS AND TOLERANCES ARE IN MILLIMETERS.

NOTES

THIS DOCUMENT CONTAINS PROPRIETARY INFORMATION AND ANY REUSE OR DISSEMINATION OF THIS INFORMATION FOR ANY PURPOSE OR USED FOR MANUFACTURING PURPOSES WITHOUT WRITTEN PERMISSION FROM THE AMPHENOL CORP.

PRO/ENGINEER INFORMATION
 Project Name: N/A
 Drawing No: 10-730239-1
 Next Assembly: N/A

UNLESS OTHERWISE SPECIFIED
 ALL DIMENSIONS ARE IN MILLIMETERS
 TOLERANCES UNLESS OTHERWISE SPECIFIED:
 ANGLES ±2°
 DIM. & TOL. PER ASME Y14.5M;
 DIM PER MIL-DTL-31000;
 OTHER APPLICABLE STD. PER 9-3800
 REFERENCE ONLY

SPECIFICATIONS	MATERIAL SPEC. N/A
PROCESS SPEC.	N/A

POS	QTY	PART NUMBER	NOTE
APPROVALS <td>DATE <td colspan="2">PARTS LIST </td></td>	DATE <td colspan="2">PARTS LIST </td>	PARTS LIST	
DESIGNED BY: Sam Xu		AMPHENOL CORPORATION	
CHECKED BY: Ron Xiao		4000 DEER LANE AVENUE	
DATE: 11-11-15		BETHLEHEM, PA 18018	
THIRD ANGLE PROJECTION		CRIMP PIN CONTACT	
		12 SIZE, ATHD	

DATE CODE	C	SCALE	10:0
DOC NO	77820	DOC NO	10-730239-1
REV		SHEET	1 OF 1

X-ON Electronics

Largest Supplier of Electrical and Electronic Components

Click to view similar products for [Heavy Duty Power Connectors](#) category:

Click to view products by [Amphenol](#) manufacturer:

Other Similar products are found below :

[647757-1](#) [6643411-1](#) [6646058-2](#) [6646137-1](#) [6646138-1](#) [6646479-1](#) [6646608-1](#) [6646786-1](#) [6646940-1](#) [6651091-1](#) [6651525-1](#) [6651529-1](#)
[6651788-1](#) [696475-1](#) [73000005059](#) [73000005642](#) [765-15-0080A](#) [765-16-0080B](#) [829992-1](#) [902-77-02113](#) [129-1J](#) [AN0024023](#) [E6374G1](#)
[e6389g2](#) [157-43GW8](#) [MS3117-14AC](#) [1643543-1](#) [1650540-1](#) [1651811-2](#) [1766260-1](#) [1766282-1](#) [1766966-1](#) [1791340000](#) [NLDFT-3-BL-L-](#)
[S120-M40A](#) [NLDFT-N-W-L-C240-M40B](#) [NLS-2-R-C240-M40B](#) [NLS-N-W-C240-M40B](#) [NPS-3-BL-T6](#) [1986615-1](#) [2-1589900-8](#) [2199314-1](#)
[KA8102](#) [9300480317](#) [SBS50BRN#6](#) [29131](#) [29652](#) [1646905-1](#) [1648320-1](#) [1648582-1](#) [1650195-2](#)