

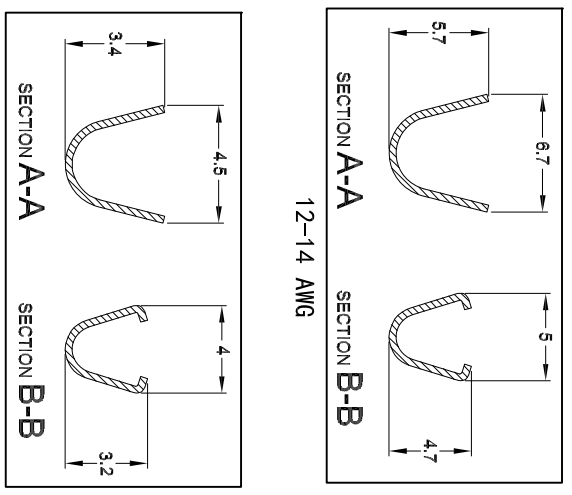
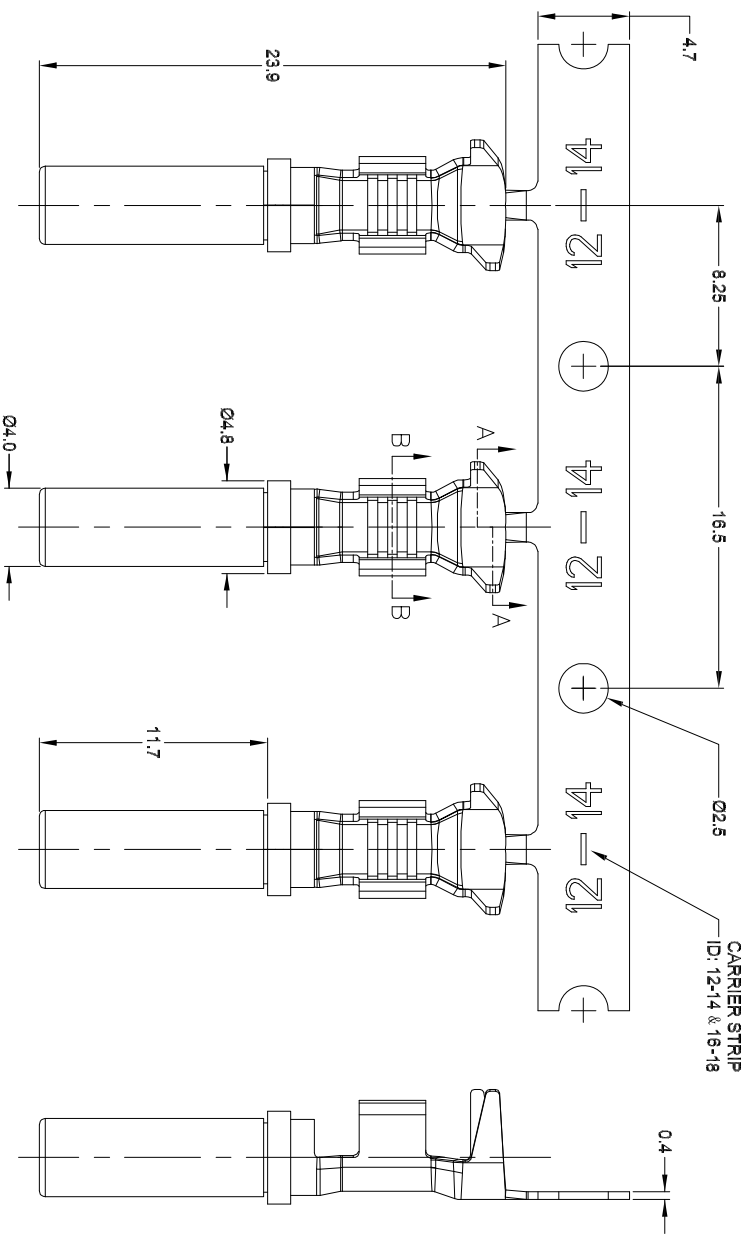
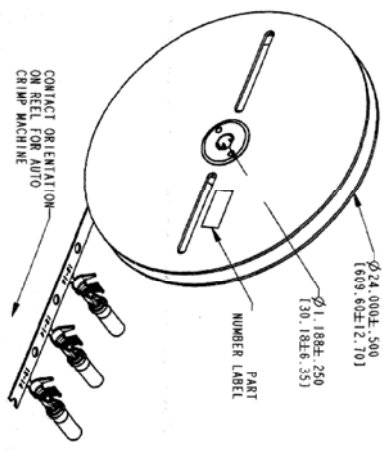
GENERAL TOLERANCE

DIM. RANGE	0.5 - 3	> 3 - 6	> 6 - 30	> 30 - 120	> 120 - 400
TOLERANCE	±0.1	±0.1	±0.2	±0.3	±0.5

CUSTOMER DRAWING

LTR	DESCRIPTION	DATE
PAI	INITIAL RELEASE	2015-11-14

TABLE 1		MEETING WITH WIRE AWG
PART NUMBER	FINISH	
C10-730294-121	120-150 MICRO INCH TIN OVER 80 MICRO INCH NICKEL	12-14 AWG
C10-730294-122	80 MICRO INCH NICKEL	12-14 AWG
C10-730294-123	GOLD FLASH OVER 80 MICRO INCH NICKEL	
C10-730294-131	120-150 MICRO INCH TIN OVER 80 MICRO INCH NICKEL	16-18 AWG
C10-730294-132	80 MICRO INCH NICKEL	16-18 AWG
C10-730294-133	GOLD FLASH OVER 80 MICRO INCH NICKEL	



- SEE TABLE 1 FOR FINISH DESCRIPTION AND SPECIFICATION (IF APPLICABLE).
- CONTACTS TO BE SUPPLIED ON A REEL WITH 2,000 CONTACTS PER REEL.
- UNLESS OTHERWISE SPECIFIED, ALL DIMENSIONS AND TOLERANCES ARE IN MILLIMETERS.

NOTES

THIS DOCUMENT CONTAINS PROPRIETARY INFORMATION AND ANY REUSE OR DISSEMINATION OF THIS INFORMATION FOR ANY PURPOSE OR USED FOR MANUFACTURING PURPOSES WITHOUT WRITTEN PERMISSION FROM THE AMPHENOL CORP.

PROF/ENGINEER INFORMATION
 Project Name: N/A
 Design: N/A
 Date: N/A
 Next Assembly: N/A

UNLESS OTHERWISE SPECIFIED
 ALL DIMENSIONS ARE IN MILLIMETERS
 TOLERANCES UNLESS OTHERWISE SPECIFIED:
 ANGLES ±2°
 DIM. & TOL. PER ASME Y14.5M;
 DIM PER MIL-DTL-31000;
 OTHER AMPLIFIED STA. PER 9-3800
 OTHER AMPLIFIED STA. PER 9-3800
 OTHER AMPLIFIED STA. PER 9-3800

SPECIFICATIONS	MATERIAL SPEC.
N/A	N/A
PROCESS SPEC.	N/A

POS	QTY	PART NUMBER	DESCRIPTION	NOTE

APPROVALS	DATE	AMPHENOL CORPORATION 4000 DEER LANE AVENUE BETHLEHEM, PA 18018
DESIGNER	DATE	
DESIGN MANAGER	DATE	CRIMP SOCKET CONTACT 12 SIZE, ATHD
THIRD ANGLE PROJECTION		
SCALE: 10:0		

X-ON Electronics

Largest Supplier of Electrical and Electronic Components

Click to view similar products for [Heavy Duty Power Connectors](#) category:

Click to view products by [Amphenol](#) manufacturer:

Other Similar products are found below :

[647757-1](#) [6643411-1](#) [6646058-2](#) [6646137-1](#) [6646138-1](#) [6646479-1](#) [6646608-1](#) [6646786-1](#) [6646940-1](#) [6651091-1](#) [6651525-1](#) [6651529-1](#)
[6651788-1](#) [696475-1](#) [73000005059](#) [73000005642](#) [765-15-0080A](#) [765-16-0080B](#) [829992-1](#) [902-77-02113](#) [129-1J](#) [AN0024023](#) [E6374G1](#)
[e6389g2](#) [157-43GW8](#) [MS3117-14AC](#) [1643543-1](#) [1650540-1](#) [1651811-2](#) [1766260-1](#) [1766282-1](#) [1766966-1](#) [1791340000](#) [NLDFT-3-BL-L-](#)
[S120-M40A](#) [NLDFT-N-W-L-C240-M40B](#) [NLS-2-R-C240-M40B](#) [NLS-N-W-C240-M40B](#) [NPS-3-BL-T6](#) [1986615-1](#) [2-1589900-8](#) [2199314-1](#)
[KA8102](#) [9300480317](#) [SBS50BRN#6](#) [29131](#) [29652](#) [1646905-1](#) [1648320-1](#) [1648582-1](#) [1650195-2](#)