

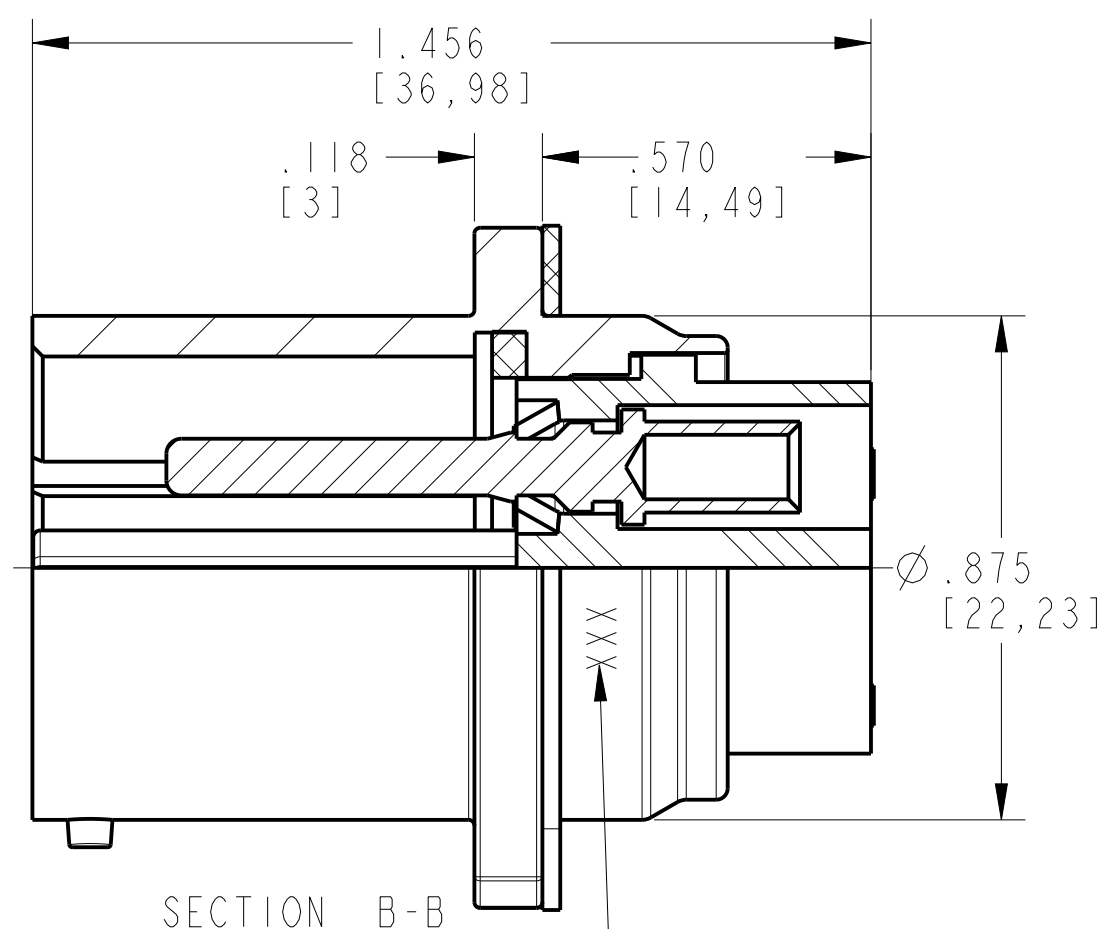
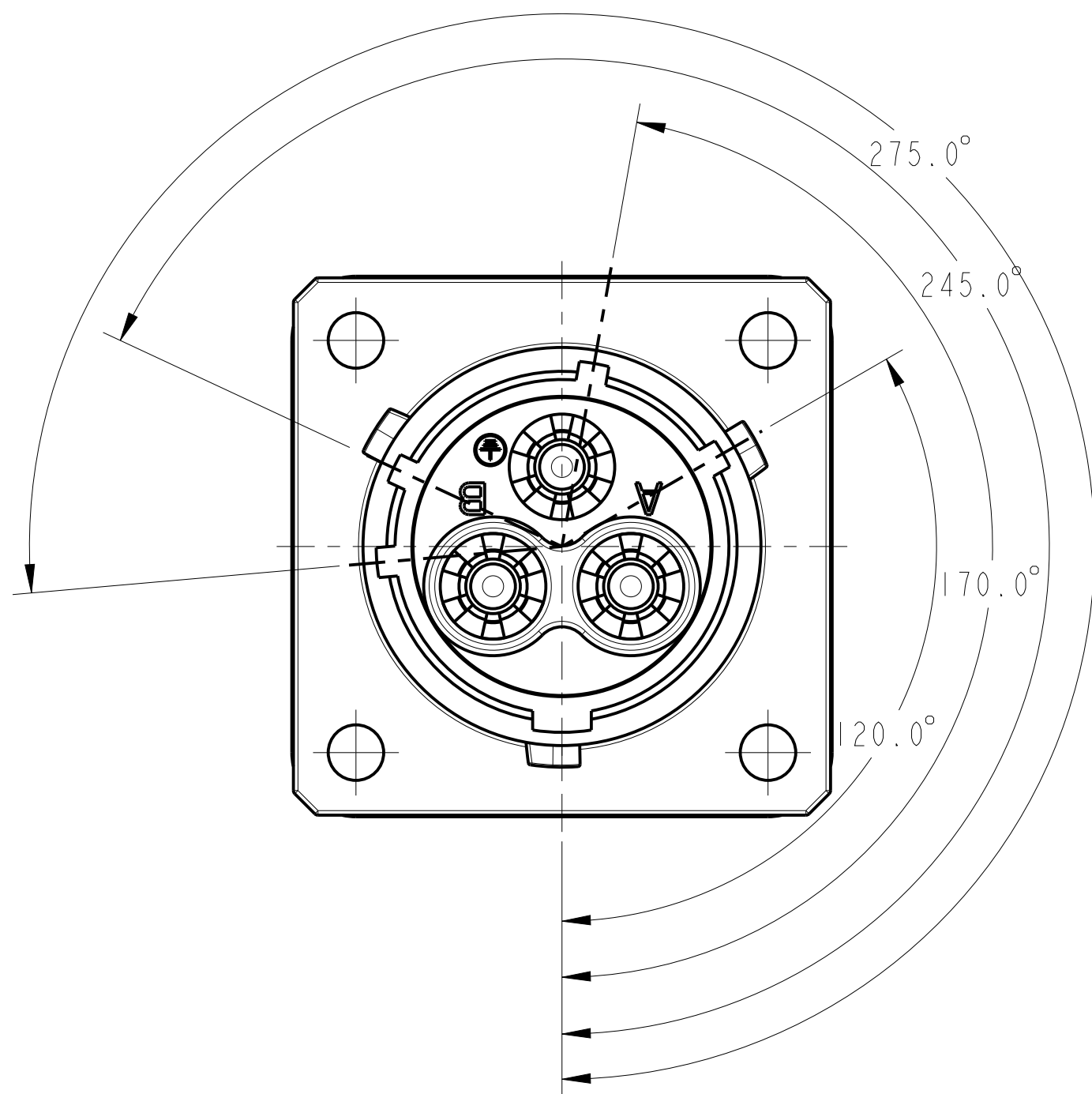
CUSTOMER DRAWING



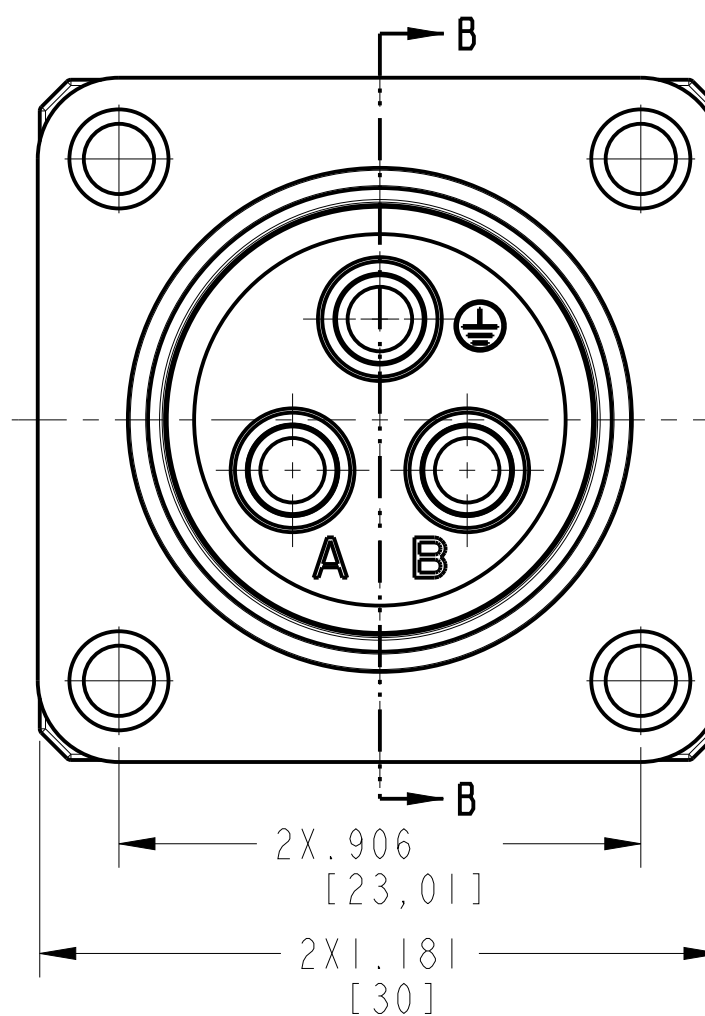
SPECIFICATIONS

CURRENT RATING	16 Amps MAX@250V AC 10 A MAX@400V DC&250V AC
OPERATING VOLTAGE	400V DC/250V AC
CRIMP CONTACT WIRE SIZE	12~18 AWG
OPERATING TEMPERATURE	-40°C~100°C
PROTECTION CLASS	IP67 (MATED)

REVISIONS		
LTR	DESCRIPTION	DATE
A	INITIAL RELEASE	2014-02-12
B	CHANGE DRAWING FRAME	2015-10-22
C	UPDATED THE CURRENT DRAWING	2016-9-26
D	REMOVE THE DUST CAP VIEW ADD THE KEYWAYS ARRANGEMENT	2017-6-21



INK STAMP ~AMPHENOL,
PART NUMBR AND DATE CODE.
AT APPROX LOCATION,
FOR EXAMPLE:
~AMPHENOL C10-730513-Z3P 1425



ORDERING PART NUMBER: C10-730513-Z3P

- SEE SEPERATE PART LIST ON SHEET 2.
- PIN CONTACTS ARE SHOWN ASSEMBLED, BUT SHIPPED UNASSEMBLED IN A SEPERATE PLASTIC BAG BEFORE CRIMP WITH CABLE.
- THE REFERENCED PRODUCT IS IN COMPLIANCE WITH THE MAXIMUN CONCENTRATION VALUES(MCVS) SET FORTH IN THE 2009/125/EC AMENDMENT TO 2011/65/EU RoHS DIRECTIVE.

NOTES:

THIS DOCUMENT CONTAINS PROPRIETARY INFORMATION AND SUCH INFORMATION MAY NOT BE DISCLOSED TO OTHERS FOR ANY PURPOSE OR USED FOR MANUFACTURING PURPOSES WITHOUT WRITTEN PERMISSION FROM THE AMPHENOL CORP.

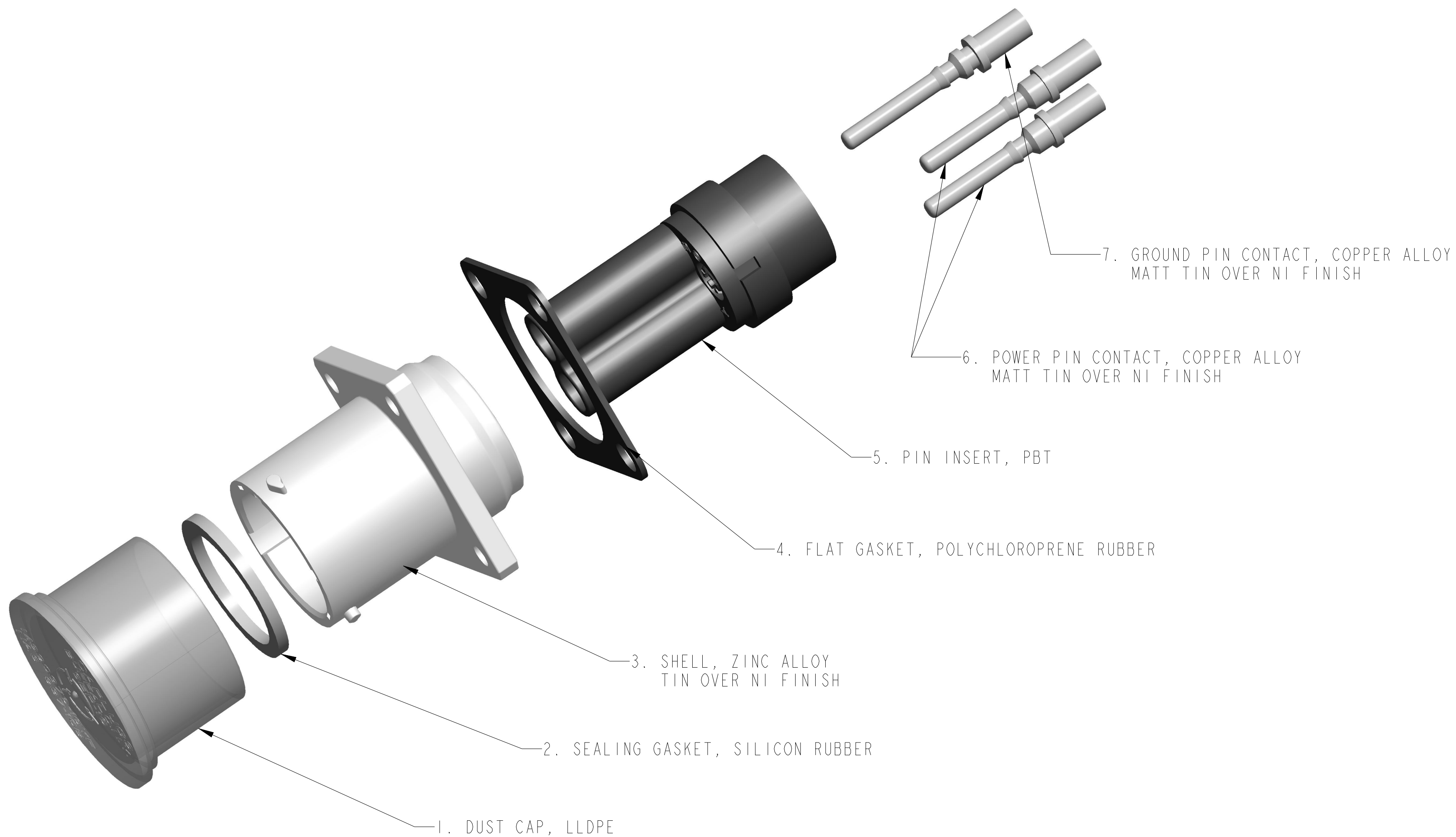
N/A
NEXT ASSEMBLY

PRO/ENGINEER INFORMATION
Pro/e Model Used:
10-729648-Z3P.ASSEM
Drawing Name:
10-730513-Z3P-CUS-D

UNLESS OTHERWISE SPECIFIED		SPECIFICATIONS	POS	QTY	PART NUMBER	DESCRIPTION	NOTE
LINEAR DIMENSIONS ARE IN INCHES TOLERANCES: .XXXX = ±.0005 ANGLES= ±2° .XXX = ±.010 .XX = ±.03 .X = ±.1		MATERIAL SPEC.	APPROVALS		DATE	PARTS LIST	
DIM. & TOL. PER ASME Y14.5M; DRM PER MIL-DTL-31000; OTHER Amphenol Stds. PER 9-3800		PROCESS SPEC.	PREPARED BY	ROB WENG	Sep-26-16	AMPHENOL INDUSTRIAL OPERATIONS Amphenol Technology(Zhuhai)Co.,Ltd No.63, Xingnan Road, Sanzao Town, Jinwan, Zhuhai, PRC	
LEGENDS: =FLAG NOTE CALL OUT REFERENCE ONLY			ENGINEER IN CHARGE	ROB WENG		3 WAY RECEPTACLE CONNECTOR 14-3P	
			DESIGN MANAGER	RAN XIAO			
			DESIGN ACTIVITY GROUP	C&3			
			THIRD ANGLE PROJECTION		SIZE	CAGE CODE	DOCUMENT NO.
					C	77820	10-730513-Z3P
					SCALE: 4.0	REF: N/A	SHEET 1 OF 2

DOCUMENT NO. 10-730513-Z3P SHEET 1 OF 2 REV. D

DOCUMENT NO. 10-730513-Z3P SHEET 1 OF 2 REV. D



NOTES:

THIS DOCUMENT CONTAINS PROPRIETARY INFORMATION AND SUCH INFORMATION MAY NOT BE DISCLOSED TO OTHERS FOR ANY PURPOSE OR USED FOR MANUFACTURING PURPOSES WITHOUT WRITTEN PERMISSION FROM THE AMPHENOL CORP.

SIZE C	CAGE CODE 77820	DOCUMENT NO. 10-730513-Z3P	REV. D
SCALE: 3.0		REF: N/A	SHEET 2 OF 2

X-ON Electronics

Largest Supplier of Electrical and Electronic Components

Click to view similar products for [Circular MIL Spec Connector](#) category:

Click to view products by [Amphenol](#) manufacturer:

Other Similar products are found below :

[0025-262-542](#) [0025-264-3014](#) [58-570121-04S](#) [0134-202-1200](#) [0134-207-1206](#) [0134-207-1800](#) [0134-207-2207](#) [0134-213-0806](#) [0134-213-1007](#) [0134-213-1009](#) [0134-213-1208](#) [0134-213-1800](#) [0134-213-2209](#) [0025-258-000](#) [015-9516-002](#) [60-042722-19P](#) [0114-201-1278](#) [602GB06EG24-61SN](#) [0134-201-1207](#) [0134-201-1806](#) [0134-201-2006](#) [0134-201-2007](#) [0134-201-2010](#) [0134-202-1400](#) [0134-207-0809](#) [0134-207-1208](#) [0134-207-2009](#) [0134-213-1006](#) [6104-207-2302](#) [6104-208-1902](#) [6131-202-19149P](#) [6131-204-21149P](#) [6131-207-13149P](#) [6131-208-13149P](#) [6131-209-17149P](#) [6131-210-11149P](#) [6131-211-19149P](#) [6131-216-19149P](#) [6131-220-25149P](#) [6131-259-11149P](#) [6131-259-21149P](#) [6131-259-23149P](#) [6131-263-19149P](#) [6131-265-17149P](#) [6131-265-19149P](#) [CS3102A-20-15P](#) [CS3102A-20-15S](#) [CS3102C18-4P-472](#) [CS3106A-20-29P](#) [CS3106A-20-74P](#)