

Amphenol®



UPT Connector Series

Company Overview

Manufacturing connectors since 1932, we take pride that Amphenol Industrial Operations is the undisputed leader in interconnect systems for harsh environment applications. Such applications require a high degree of engineering sophistication and precision manufacturing capability. Innovations like our RADSOK® contact technology can provide roughly 50% more current through the same size pin. Connectors utilizing this RADSOK® technology will outperform similar products in the market hands down.

Amphenol Industrial Operations (AIO), a division of the Amphenol Corporation, is the leading manufacturer of cylindrical connectors in the world. Amphenol Industrial's product lines consist of rectangular, standard miniature, fiber optic, EMI/EMP filter, and a variety of special application connectors.

Headquartered in Sidney, NY, AIO's facility is nestled at the foothills of the Catskill Mountains, and over 307,000 ft². This complex houses over 1,000 employees, incorporating state-of-the-art manufacturing technologies. The facility is both ISO9001 certified and qualified to MIL-STD-790 requirements. Other satellite manufacturing/assembly facilities are located in Nogales, Mexico (25,000 ft²) and Zhuhai, China with (276,000 ft²).

Our manufacturing capabilities include state-of-the-art CNC machining, die-casting, molding, impact and extruding, plating, screw machining and process controls.

AIO also has a fully equipped material evaluation lab and an engineering support organization utilizing the latest in computer aided design software and analysis tools.

Amphenol Industrial Operations is supported by several satellite plants and one of the largest distributor networks in the world.

The UPT Connector Series

Amphenol Industrial has expanded its PT Series product line with a new plastic bayonet connector. The UPT provides more options for industrial interconnect markets that do not require a metal shell or Mil-Spec equivalents.

Based on the 26482 Series I, UPT is a plastic shell interconnect with a metal bayonet coupling system and crimp contacts. Featuring a light weight design, smaller footprint and easy field installation the UPT is a cost effective industrial connector solution.

- Contact Sizes and Arrangements: 12 & 16 Stamped & Formed crimp contacts, three insert arrangements available (16-19, 24-32, & 24-48)
- Intermateable with Souriau TrimTrio, UTO, and ITT Trident Ringlock
- Wall Mount, Jam Nut, and Straight Plug Shell Styles
- Plastic Shell, Light Weight
- Metallic Bayonet Coupling, Molded Ring on Receptacle
- Quick Connect/Disconnect
- Multiple backshell sealing accessories
- RoHS compliant

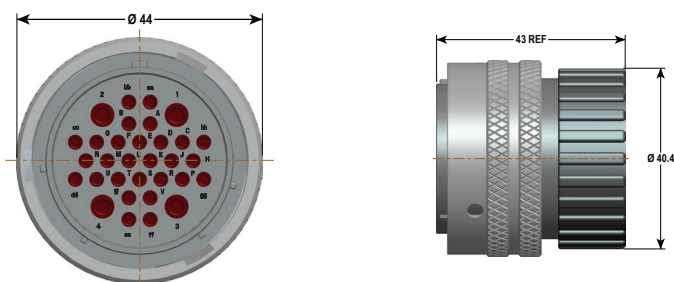
The markets and application for the UPT connectors Included but are not limited to the following:

- Heavy Equipment
- EV, HEV, BMS
- Automation & Robotics
- Telecom Equipment
- Servo Motor
- Machinery



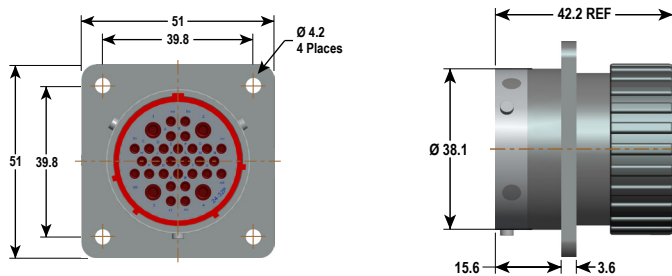
| Technical Data | |
|---------------------------|-------------------|
| Rated Current Contact #16 | 13 Amps |
| Rated Current Contact #12 | 23 Amps |
| Operating Voltage | 250VAC |
| Withstanding Voltage | 2000V DC |
| Insulation Resistance | 5000 Megohms Min. |
| Operating Temperature | -55°~+125° |
| Ingress Protection | IP67(Mated) |
| Flammability | UL 94 V-0 |
| Durability | 500 Cycles |

UPT06D-24-32S
Size 24, 32 Way, Plug

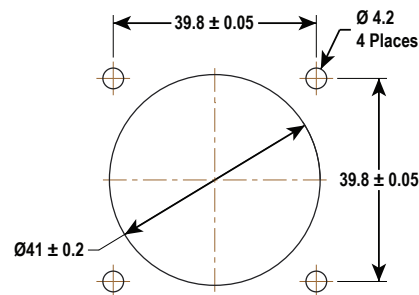


| Front Face of Pin Illustrated | | |
|-------------------------------|-------|----|
| Insert Arrangement | 24-32 | |
| Number of Contacts | 4 | 28 |
| Contact Size | 12 | 16 |

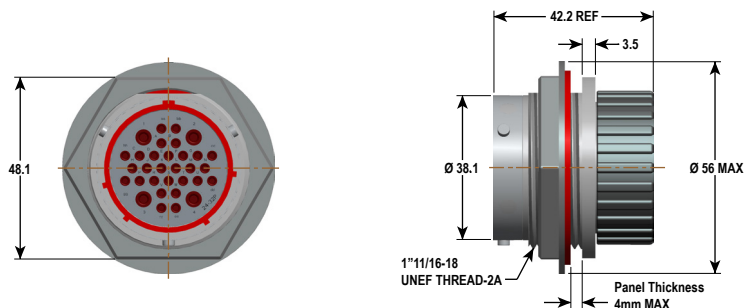
UPT00D-24-32P
Size 24, 32 Way, Wall Mounting Receptacle



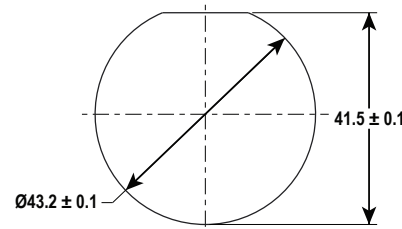
Recommended Cut-Out



UPT07D-24-32P
Size 24, 32 Way, Jam Nut Receptacle

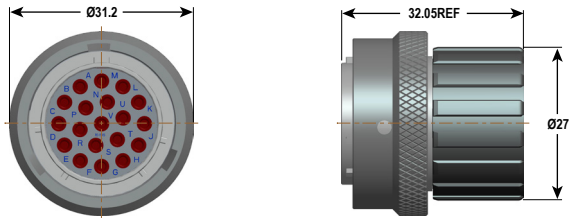


Recommended Cut-Out



UPT06D-16-19S

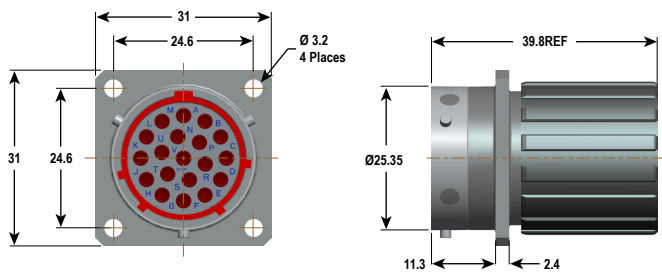
Size 16, 19 Way, Plug



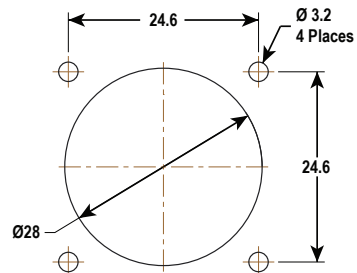
| Front Face of Pin Illustrated | |
|-------------------------------|-------|
| Insert Arrangement | 16-19 |
| Number of Contacts | 19 |
| Contact Size | 16 |

UPT00D-16-19P

Size 16, 19 Way, Wall Mounting Receptacle

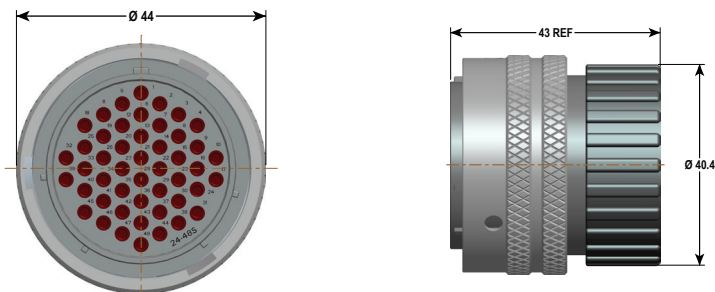


Recommended Cut-Out



UPT06D-24-48S

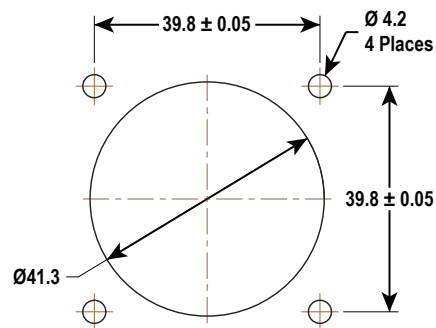
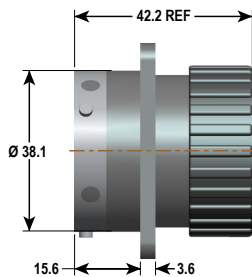
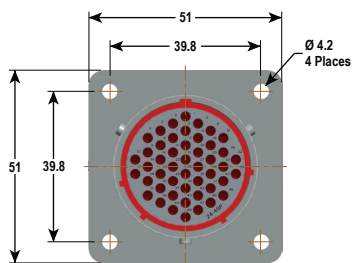
Size 24, 48 Way, Plug



| Front Face of Pin Illustrated | |
|-------------------------------|-------|
| Insert Arrangement | 24-48 |
| Number of Contacts | 48 |
| Contact Size | 16 |

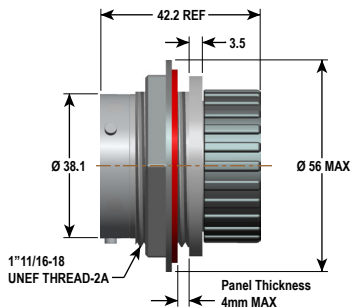
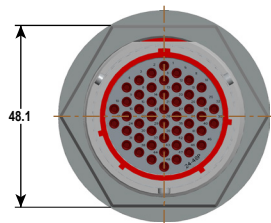
UPT00D-24-48P

Size 24, 48 Way, Wall Mounting Receptacle

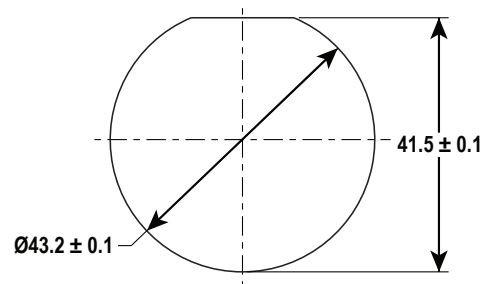


UPT07D-24-48P

Size 24, 48 Way, Jam Nut Receptacle



Recommended Cut-Out





AMPHENOL CORPORATION
Amphenol Industrial

Phone: 888-364-9011
191 Delaware Avenue
Sidney, NY 13838-1395
www.amphenol-industrial.com

X-ON Electronics

Largest Supplier of Electrical and Electronic Components

Click to view similar products for [Circular MIL Spec Contacts](#) category:

Click to view products by [Amphenol](#) manufacturer:

Other Similar products are found below :

[006-1189-20](#) [71-VEAM](#) [809-023](#) [809-111](#) [811393-000](#) [850-014](#) [97-45-1418P-5\(920\)](#) [97-45-1418S-4](#) [D-602-0106CS076](#) [AIC12-14P](#)
[AIC16-16PG](#) [AIC8-12P](#) [AIC8-8SG](#) [AIC8-8SRAD](#) [1495044-1](#) [BACC47CP2T](#) [BACC47CP3S](#) [BACC47DP4](#) [BACC47GC1A](#) [BACC47GN1](#)
[16968/2C](#) [21-033909-028](#) [241611N001](#) [2560-220-2031](#) [27915-38T9](#) [27964-38T112](#) [2M809-118](#) [97-67-36-20](#) [AIC12-16P](#) [AIC16-14SG](#)
[AIC16-18PG](#) [AIC16-18S](#) [AIC16-20PG](#) [AIC4-4PG](#) [CE102S-18](#) [M39029/30-221](#) [M39029/77-430](#) [416-2020-088I](#) [MDM-21SH003B-F222](#) [48-](#)
[100-5014P-02](#) [BA-4020-50LD](#) [BA-4120-50LD](#) [BACC47CN2](#) [BACC47GC3A](#) [BACC47GD3A](#) [BACC47GM1](#) [52G137 REV A](#) [CB2-18-21PS](#)
[D-602-1116CS2727](#) [D-602-1117CS2727](#)