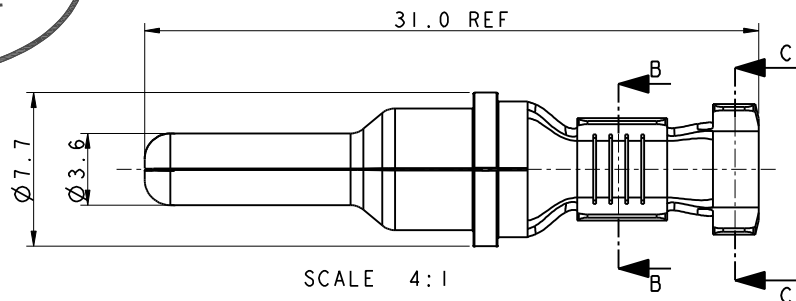
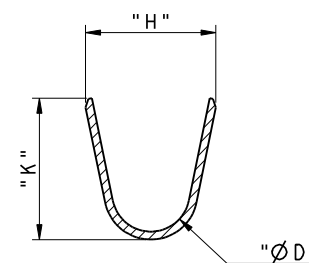
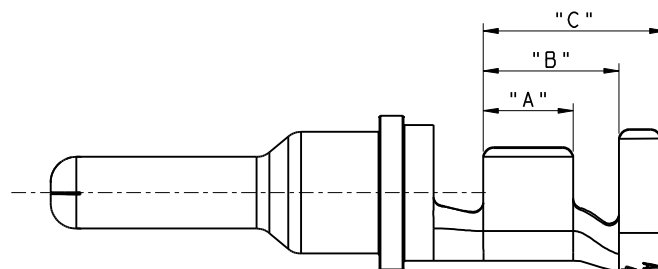
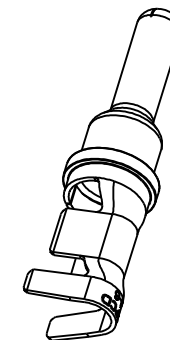
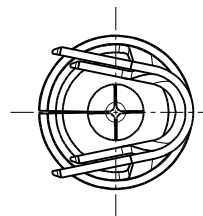


| REV | ECN | DESCRIPTION | DATE | MODIFIED |
|-----|-------|-------------|-----------|----------|
| A | C2569 | RELEASE | Dec-06-17 | Rock |

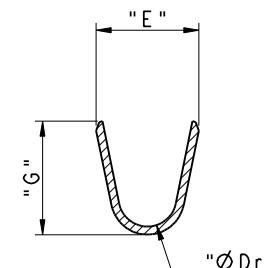
Amphenol PCDSZ
ORIGINAL
PDF Format
R&D



SCALE 4:1



SECTION C-C



SECTION B-B

| PART NUMBER | WIRE RANGE | INSULATION OD | CRIMP DIMENSION (mm) | | | WIRE CRIMP | INSULATION CRIMP |
|-------------|------------------------|-------------------|----------------------|-----|-----|---------------------------|--------------------------|
| | | | "A" | "B" | "C" | | |
| C310026000 | 4~6mm ² | ∅ 3.40mm~∅ 4.30mm | 4.5 | 7.0 | 9.1 | E=5.3 G=5.6 ∅Dr=2.9 | H=6.7 K=7.0 ∅D=3.9 |
| C310026002 | 1.5~2.5mm ² | ∅ 2.20mm~∅ 3.00mm | 3.5 | 4.7 | 6.3 | E=3.8 G=4.0 ∅Dr=1.7 | H=4.7 K=4.9 ∅D=2.6 |

NOTES:

1. MATERIAL: COPPER, T=0.4mm
2. PLATING: SILVER FINISHED
3. CURRENT CARRYING CAPACITY:
40A@ 6mm² WIRE
32A@ 4mm² WIRE
23A@ 2.5mm² WIRE
4. CONTACT RESISTANCE: <5mΩ
5. ROHS COMPLIANCE

| | | | | | | | |
|--|--|----------------|---------------------------|----------------------|---------------------------------|-----------------|--------------|
| DIMENSIONS ANSI Y14.5M UNITS: MM PRO/E FILE | TOLERANCES .X ±0.3 .XX ±0.10 ANGLES ±2.0° | PROJECTION | Amphenol Pcd Shenzhen | | TITLE 8# MALE CONTACT | | |
| | | | ENGR Rock Dec-06-17 | SIZE A3 | DWG NO. C-C310026000 | REV A | |
| ORIGINAL | THIS DOCUMENT CONTAINS PROPRIETARY INFORMATION WHICH IS THE CONFIDENTIAL PROPERTY OF AMPHENOL PCD SHENZHEN | | CHKD <i>Jack</i> | APPD <i>Derek</i> | CODE: 58982 | SCALE: | SHEET 1 OF 1 |

X-ON Electronics

Largest Supplier of Electrical and Electronic Components

Click to view similar products for [Terminals](#) category:

Click to view products by [Amphenol](#) manufacturer:

Other Similar products are found below :

[00-054007-01074-6](#) [00-054007-70206-1](#) [00-054007-70210-8](#) [00-054007-70217-7](#) [00-054007-70228-3](#) [00-054007-70256-6](#) [00-054007-70316-7](#) [00-054007-49560-4](#) [00-054007-70209-2](#) [00-054007-70231-3](#) [00-054007-70241-2](#) [00-054007-70242-9](#) [00-054007-70246-7](#) [00-054007-70263-4](#) [00-054007-70288-7](#) [00-054007-70290-0](#) [00-054007-70300-6](#) [00-054007-70304-4](#) [01-2900-1-04412](#) [00581P0075](#) [600TS-10](#) [604200-1](#) [605601-1](#) [60598-1-CUT-TAPE](#) [60617-1-C](#) [61314-6-C](#) [61810-3](#) [62149-1](#) [626-0194](#) [62-NBM-A](#) [62-SP](#) [63-S](#) [M55155/059I03](#)
[M55155/079C01](#) [M55155/099B03](#) [M55155/099H02](#) [M55155/109H01](#) [M55155/12XH05](#) [M55155/16XH02](#) [M55155/29-5S](#) [M55155/29XJ08](#)
[M55155/30-6S](#) [M55155/30-9S](#) [M55155/30XI09](#) [696683-1](#) [696861-1](#) [696999-1](#) [M86700006](#) [D18-110B-C](#) [D18-110B-M](#)