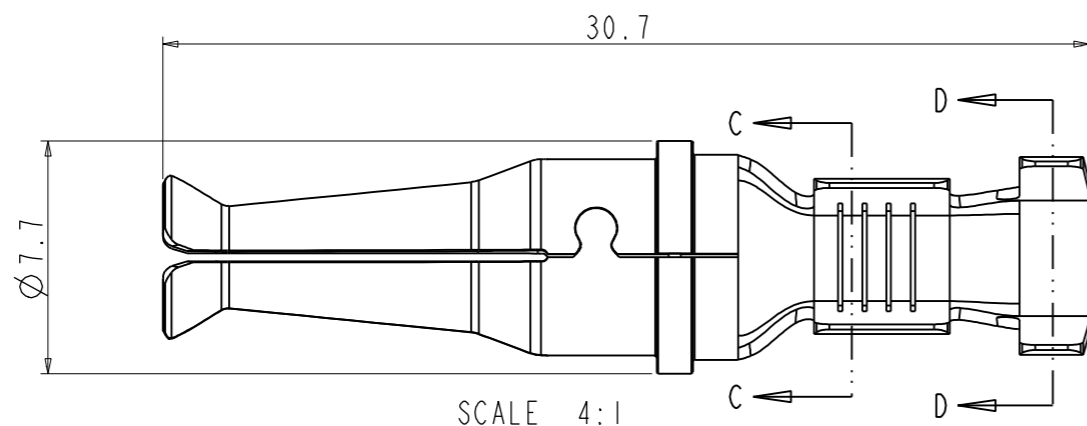
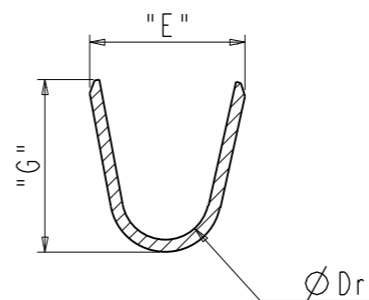
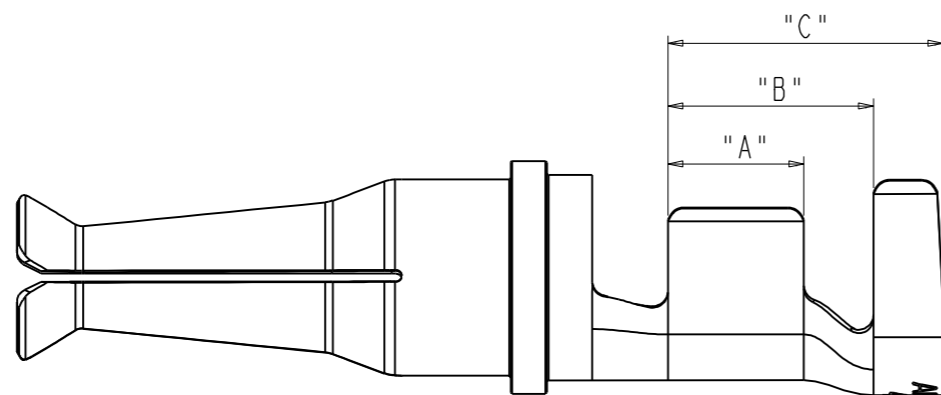
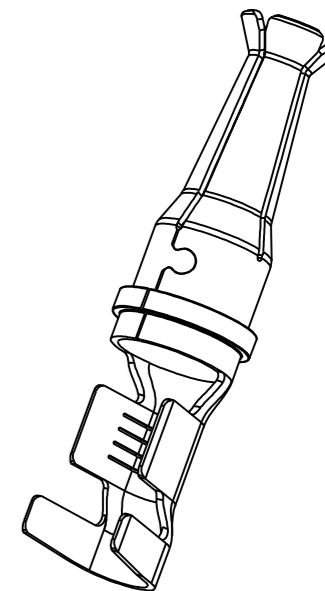
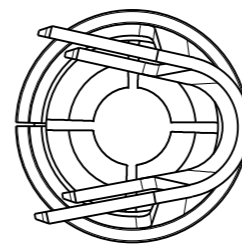


Amphenol PCD SZ  
ORIGINAL  
PDF Format  
R&D

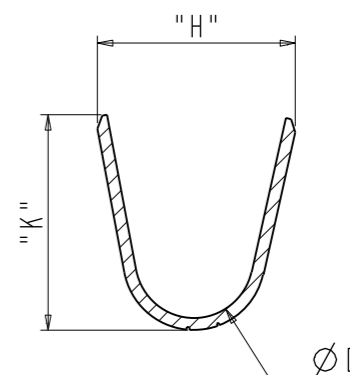
REV	ECN	DESCRIPTION	DATE	MODIFIED
A	C2569	RELEASE	Dec-06-17	Rock
B	C4560N	UPDATE .X TOLERANCES, 0.1 TO 0.5mm	Jul-14-20	LUIK



SCALE 4:1



SECTION C-C



SECTION D-D

C-C310026001

C-C310026001

- NOTES:
- ✦ 1. MATERIAL: COPPER ALLOY, T=0.4mm
  - 2. PLATING: SILVER FINISHED
  - 3. CURRENT CARRYING CAPACITY:  
40A@ 6mm<sup>2</sup> WIRE  
32A@ 4mm<sup>2</sup> WIRE  
23A@ 2.5mm<sup>2</sup> WIRE
  - 4. CONTACT RESISTANCE: <5mΩ
  - ✦ 5. ROHS COMPLIANCE

PART NUMBER	WIRE RANGE	INSULATION OD	CRIMP DIMENSION (mm)				
			"A"	"B"	"C"	WIRE CRIMP	INSULATION CRIMP
C310026001	4~6mm <sup>2</sup>	∅3.40mm~∅4.30mm	4.5	7.2	9.4	E=5.0 G=5.6 ∅Dr=2.9	H=6.8 K=7.0 ∅D=4.3
C310026003	1.5-2.5mm <sup>2</sup>	∅2.20mm~∅3.00mm	3.5	4.7	6.3	E=3.8 G=4.0 ∅Dr=1.7	H=4.7 K=4.9 ∅D=2.6



<b>DIMENSIONS</b> ANSI Y14.5M UNITS: MM Pro/E FILE	<b>TOLERANCES</b> .X ±0.5 .XX ±0.05 ANGLES ±2°	<b>PROJECTION</b> 	<b>Amphenol PCD Shenzhen</b>		<b>8# FEMALE CONTACT</b>		
			ENGR Rock	Dec-06-17			
<b>ORIGINAL</b>	THIS DOCUMENT CONTAINS PROPRIETARY INFORMATION WHICH IS THE CONFIDENTIAL PROPERTY OF AMPHENOL PCD SHENZHEN		CHKD <i>Senbas</i>	SIZE <b>A3</b>	DWG NO. <b>C-C310026001</b>	REV <b>B</b>	
			APPD <i>Rock.chen</i>	CODE: 58982	SCALE: 6:1	SHEET 1 OF 1	

## X-ON Electronics

Largest Supplier of Electrical and Electronic Components

*Click to view similar products for [Terminals](#) category:*

*Click to view products by [Amphenol](#) manufacturer:*

Other Similar products are found below :

[00-054007-01074-6](#) [00-054007-70206-1](#) [00-054007-70210-8](#) [00-054007-70217-7](#) [00-054007-70228-3](#) [00-054007-70256-6](#) [00-054007-70316-7](#) [00-054007-49560-4](#) [00-054007-70209-2](#) [00-054007-70231-3](#) [00-054007-70241-2](#) [00-054007-70242-9](#) [00-054007-70246-7](#) [00-054007-70263-4](#) [00-054007-70288-7](#) [00-054007-70290-0](#) [00-054007-70300-6](#) [00-054007-70304-4](#) [01-2900-1-04412](#) [00581P0075](#) [600TS-10](#) [604200-1](#) [605601-1](#) [60598-1-CUT-TAPE](#) [60617-1-C](#) [61314-6-C](#) [61810-3](#) [62149-1](#) [626-0194](#) [62-NBM-A](#) [62-SP](#) [63-S](#) [M55155/059I03](#)  
[M55155/079C01](#) [M55155/099B03](#) [M55155/099H02](#) [M55155/109H01](#) [M55155/12XH05](#) [M55155/16XH02](#) [M55155/29-5S](#) [M55155/29XJ08](#)  
[M55155/30-6S](#) [M55155/30-9S](#) [M55155/30XI09](#) [696683-1](#) [696861-1](#) [696999-1](#) [M86700006](#) [D18-110B-C](#) [D18-110B-M](#)