

REV. A	SHEET 1 OF 2	DOCUMENT NO. CF-020010-73X
REVISIONS M		
LTR	DESCRIPTION	DATE
A	INITIAL RELEASE	---

DOCUMENT NO. CF-020010-73X

SHEET 1 OF 2

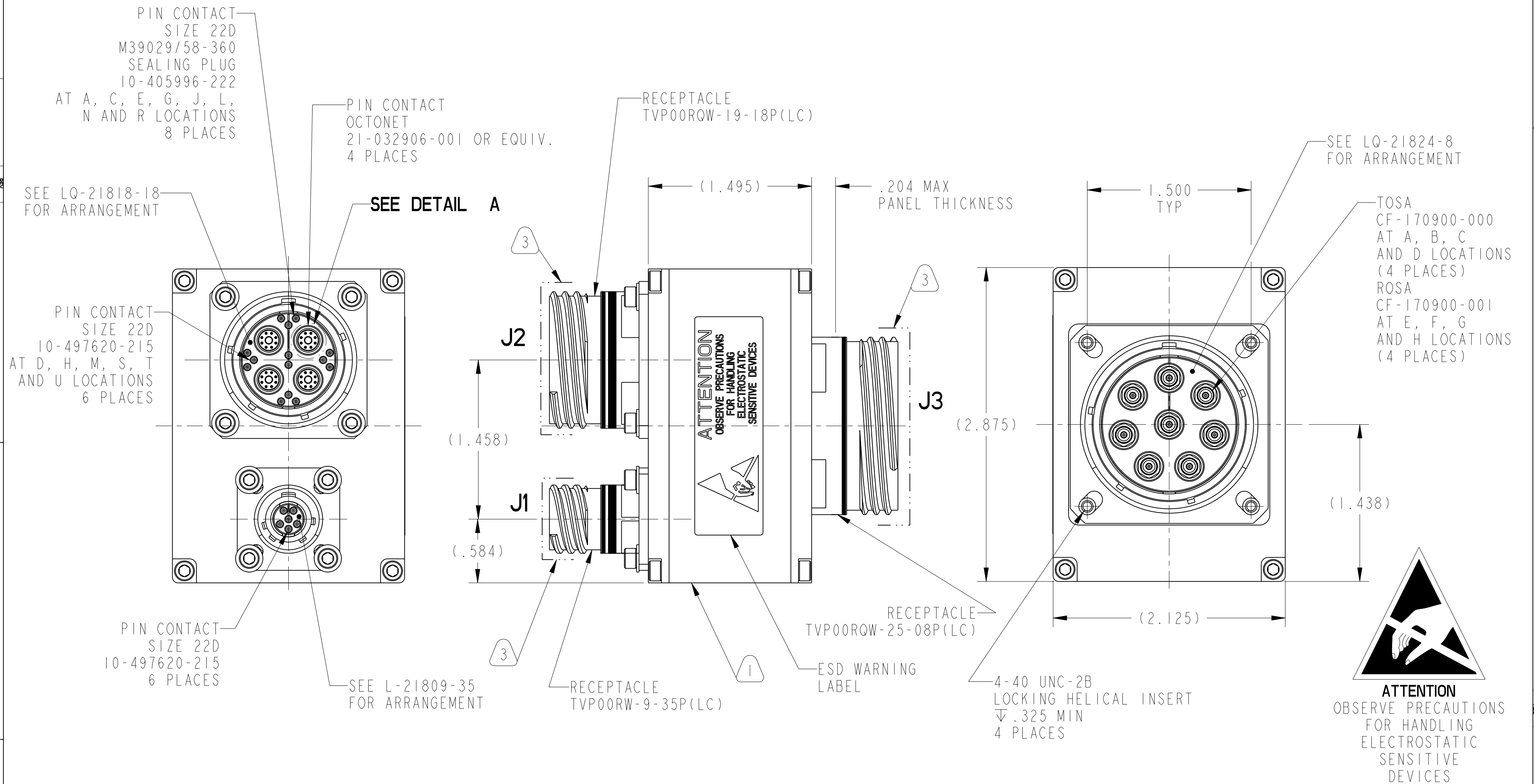
REV. A

C

B

A

PART NUMBER	J1 CONNECTOR KEY ROTATION	J2 CONNECTOR KEY ROTATION	J3 CONNECTOR KEY ROTATION
CF-020010-73N	N	N	N



SEE SHEET 2

NOTES:

THE USE OF THIS DOCUMENT IS UNLIMITED. HOWEVER, DOCUMENTS REFERENCED HEREON MAY CONTAIN LIMITED RIGHTS DATA.

RELEASED / Mar . 28 2017, 1:14:51 PM

DOCUMENT NO. CF-020010-73X

SHEET 1 OF 2

REV. A

N/A

NEXT ASSEMBLY

PRO/ENGINEER INFORMATION

Pro/e Model Used: CF-020010-73X.ASSEM Drawing Name: CF-020010-73X

UNLESS OTHERWISE SPECIFIED LINEAR DIMENSIONS ARE IN INCHES TOLERANCES: .XXXX = ±.0005 ANGLES= ±2° .XXX = ±.010 .XX = ±.03 .X = ±.1 DIM. & TOL. PER ASME Y14.5M; DRM PER MIL-STD-31000; OTHER Amphenol Stds. PER 9-3800 LEGENDS: =FLAG NOTE CALL OUT REFERENCE ONLY	SPECIFICATIONS MATERIAL SPEC. N/A PROCESS SPEC. 9-9172-2 9-3856-5	POS	QTY	PART NUMBER	DESCRIPTION	NOTE
		PARTS LIST				
APPROVALS		DATE		AMPHENOL CORPORATION 40-60 DELAWARE AVENUE SIDNEY, N.Y. 13858		
PREPARED BY I. NASH		03-Mar-17		MEDIA CONVERTER 1GBASE-T TO 1GBASE-SX QUAD PORT, O.D. CAD PLATED		
ENGINEER IN CHARGE W. LEE				DOCUMENT NO. CF-020010-73X		
DESIGN MANAGER J. PAUL				REV. A		
DESIGN ACTIVITY GROUP CI				SCALE: 1.5:1		
THIRD ANGLE PROJECTION				REF. CF-020010-68X		
				SHEET 1 OF 2		

VISION 7

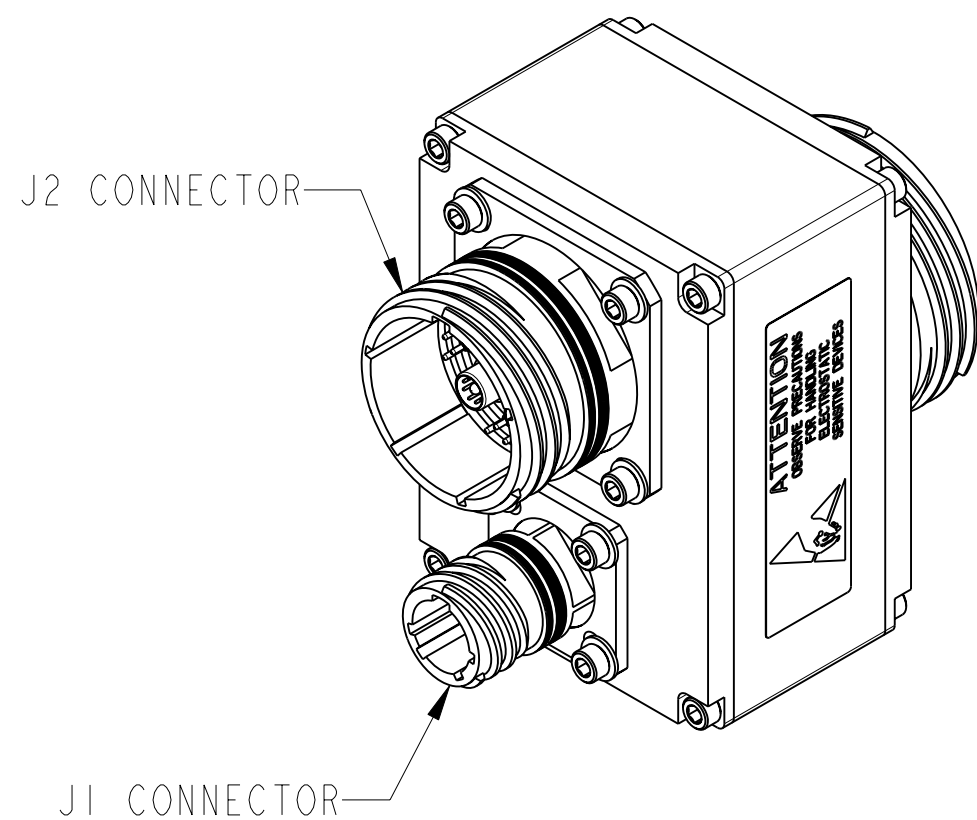
REVISION A

Eng. PDM Information For Reference Only

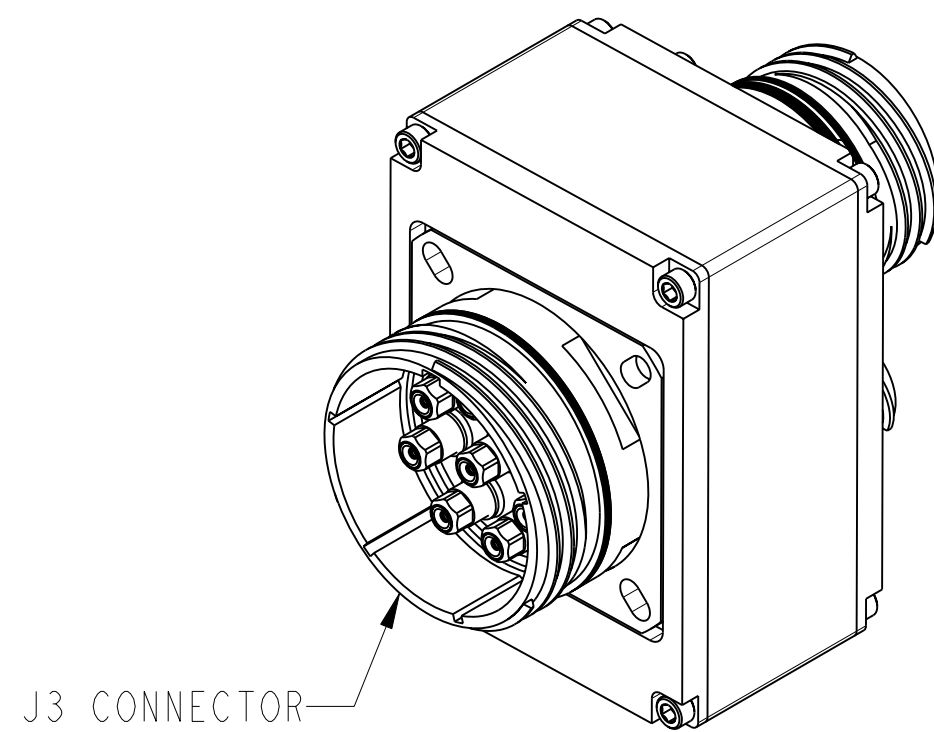
REV. A

SHEET 1 OF 2

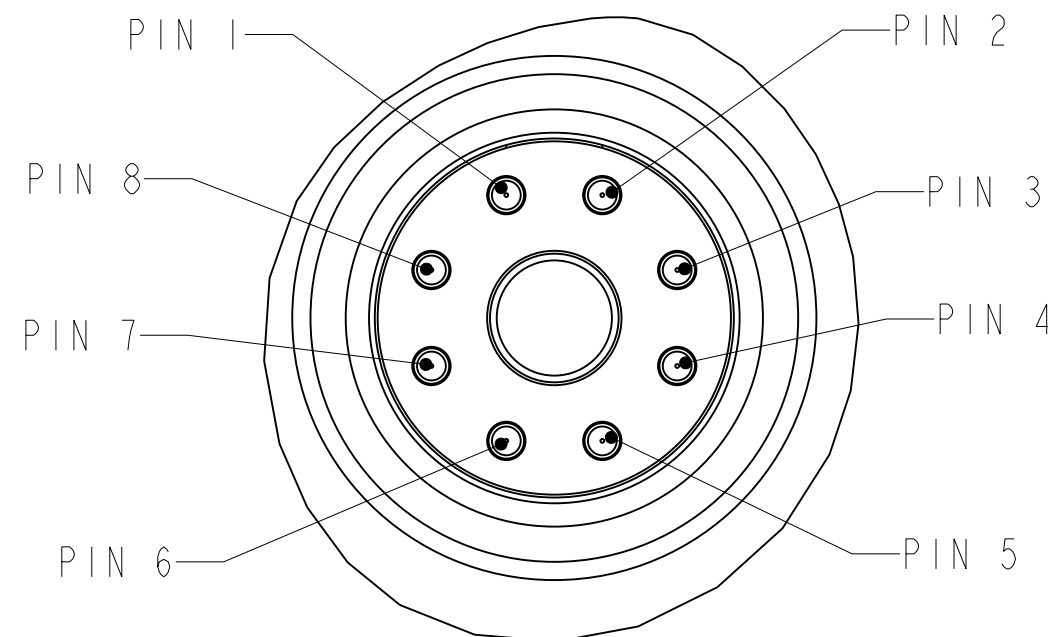
DOCUMENT NO. CF-020010-73X



**FRONT ISO VIEW**  
SCALE 1:1



**REAR ISO VIEW**  
SCALE 1:1



**DETAIL A**  
J2 CONNECTOR FRONT VIEW  
PIN POSITION  
SCALE 10:1

J1 CONNECTOR	
ID	DESCRIPTION
1	CHASSIS_GND
2	CHASSIS_GND
3	CHASSIS_GND
4	CHASSIS_GND
5	28VIN
6	GND

J2 CONNECTOR	
ID	DESCRIPTION
B1	CH4_A_1GBASE-T_P
B2	CH4_A_1GBASE-T_N
B3	CH4_B_1GBASE-T_P
B4	CH4_B_1GBASE-T_N
B5	CH4_C_1GBASE-T_P
B6	CH4_C_1GBASE-T_N
B7	CH4_D_1GBASE-T_P
B8	CH4_D_1GBASE-T_N
F1	CH3_A_1GBASE-T_P
F2	CH3_A_1GBASE-T_N
F3	CH3_B_1GBASE-T_P
F4	CH3_B_1GBASE-T_N
F5	CH3_C_1GBASE-T_P
F6	CH3_C_1GBASE-T_N
F7	CH3_D_1GBASE-T_P
F8	CH3_D_1GBASE-T_N
K1	CH2_A_1GBASE-T_P
K2	CH2_A_1GBASE-T_N
K3	CH2_B_1GBASE-T_P
K4	CH2_B_1GBASE-T_N
K5	CH2_C_1GBASE-T_P
K6	CH2_C_1GBASE-T_N
K7	CH2_D_1GBASE-T_P
K8	CH2_D_1GBASE-T_N
P1	CH1_A_1GBASE-T_P
P2	CH1_A_1GBASE-T_N
P3	CH1_B_1GBASE-T_P
P4	CH1_B_1GBASE-T_N
P5	CH1_C_1GBASE-T_P
P6	CH1_C_1GBASE-T_N
P7	CH1_D_1GBASE-T_P
P8	CH1_D_1GBASE-T_N

J3 CONNECTOR	
ID	DESCRIPTION
A	CH_2_1GBASE-SX_TX
B	CH_1_1GBASE-SX_TX
C	CH_3_1GBASE-SX_TX
D	CH_4_1GBASE-SX_TX
E	CH_4_1GBASE-SX_RX
F	CH_3_1GBASE-SX_RX
G	CH_2_1GBASE-SX_RX
H	CH_1_1GBASE-SX_RX

4. ASSEMBLY CONTAINS ELECTROSTATIC DISCHARGE (ESD) SENSITIVE COMPONENTS. ASSEMBLY SHALL BE HANDLED, PACKAGED, AND SHIPPED TO MEET REQUIREMENTS OF ANSI/ESD-S-20.20 AND IPC-A-610.

3. PROTECTIVE CAPS SHALL BE INSTALLED PRIOR TO SHIPPING.

2. PACKAGE LABEL SHALL CONTAIN THE SAME INFORMATION SHOWN IN NOTE 1.

1. STAMP AMPHENOL 77820, SIX DIGIT SERIAL NUMBER, AND PART NUMBER ON INDICATED SURFACE. STAMPING PER 9-3856-5. SERIAL NUMBER PER 9-9172-2.

EXAMPLE: (FOR NORMAL KEY CONVERTER NUMBER 8 BUILT ON APRIL 27, 2017)

AMPHENOL 77820  
171708  
CF-020010-73N

**NOTES:**

THE USE OF THIS DOCUMENT IS UNLIMITED. HOWEVER, DOCUMENTS REFERENCED HEREON MAY CONTAIN LIMITED RIGHTS DATA.

RELEASED / Mar . 28 2017, 1:14:51 PM

CF-020010-73X

SHEET 2 OF 2

REV. A

SIZE <b>C</b>	CAGE CODE <b>77820</b>	DOCUMENT NO. <b>CF-020010-73X</b>	REV. <b>A</b>
SCALE: 1.5:1		REF: CF-020010-68X	SHEET 2 OF 2

## X-ON Electronics

Largest Supplier of Electrical and Electronic Components

*Click to view similar products for [Media Converters](#) category:*

*Click to view products by [Amphenol](#) manufacturer:*

Other Similar products are found below :

[EIS-PS-US](#) [CF-020010-009](#) [EIS-EXTEND-C-EU](#) [DT5002F](#) [WT32-ETH01](#) [USR-K6](#) [WC-PD13F012A](#) [WC-PD30B050G](#) [CF-020011-2N9](#)  
[EKI-1751PI-M-AE](#) [EKI-1751PI-R-AE](#) [EKI-2541M-AE](#) [EKI-2541MI-AE](#) [EKI-2541S-AE](#) [EKI-2541SI-AE](#) [EKI-2741F-BE](#) [EKI-2741FI-BE](#)  
[EKI-2741FL-EU-AE](#) [EKI-2741FL-US-AE](#) [EKI-2741LX-AE](#) [CA-628485-D84](#) [CA-628485-D85](#) [CF-020008-000](#) [CF-020008-001](#) [CF-020010-721](#) [CF-020010-97X](#) [CF-020011-1N9](#) [CF-020011-32N](#) [CF-020011-330](#) [CF-901201-097](#) [CTC-55F005-NW](#) [102MCE-SC-15](#) [102MC-SC](#)  
[850-15526](#) [855-10932](#) [856-15410](#) [857-11912](#) [IMC-350I-MMST-PS-A](#) [IMC-350I-SE-PS-A](#) [IMC-350-MMST-PS-A](#) [IMC-350I-M8ST-PS-A](#)  
[IMC-350I-MM-A](#) [IMC-350I-SE-A](#) [IMC-350I-M8-A](#) [IMC-370-MM-PS-A](#) [IMC-370I-MM-A](#) [IMC-370I-SST-PS-A](#) [CTM1051KAT](#)  
[CTM8251KAT](#) [MS8PD](#)