

REV. A	SHEET 1 OF 3	CA-628485-E79
REVISIONS M		
LTR	DESCRIPTION	DATE
A	INITIAL RELEASE	11-Apr-19

CA-628485-E79

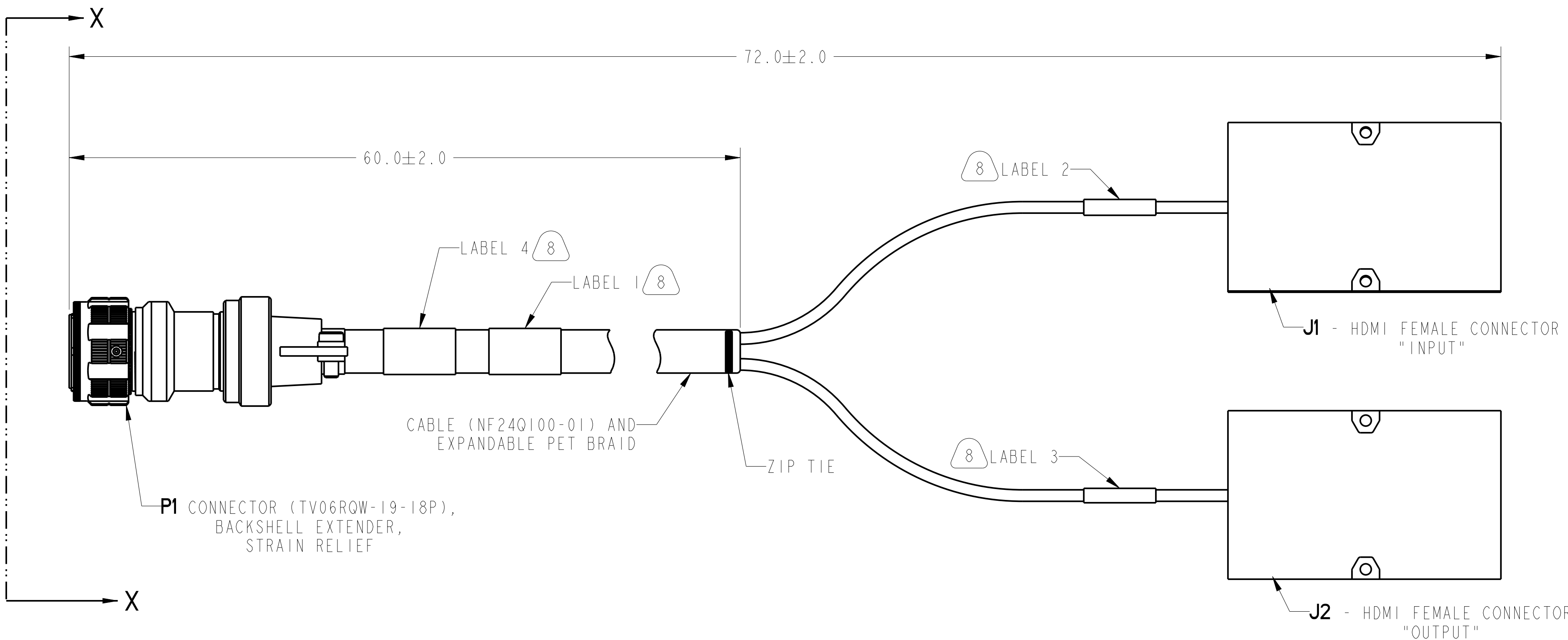
SHEET 1 OF 3

REV. A

C

B

A



SEE SHEET 3

NOTES:

THE USE OF THIS DOCUMENT IS UNLIMITED. HOWEVER, DOCUMENTS REFERENCED HEREON MAY CONTAIN LIMITED RIGHTS DATA.

RELEASED / Apr. 30 2019, 1:32:35 PM

NONE NEXT ASSEMBLY

PRO/ENGINEER INFORMATION
 Pro/e Model Used:
 CA-628485-E79.ASSEM
 Drawing Name:
 CA-628485-E79

UNLESS OTHERWISE SPECIFIED	SPECIFICATIONS	POS	QTY	PART NUMBER	DESCRIPTION	NOTE
LINEAR DIMENSIONS ARE IN INCHES TOLERANCES: .XXXX = ±.0005 ANGLES= ±2° .XXX = ±.010 .XX = ±.03 .X = ±.1 DIM. & TOL. PER ASME Y14.5M; DRM PER MIL-STD-31000; OTHER Amphenol Stds. PER 9-3800 LEGENDS: =FLAG NOTE CALL OUT REFERENCE ONLY	MATERIAL SPEC.	PARTS LIST				
	NONE	AMPHENOL CORPORATION 40-60 DELAWARE AVENUE SIDNEY, N.Y. 13858 CABLE ASSEMBLY, QUADRAX TO HDMI FEMALE, 2 PORTS, 6 FT				
PROCESS SPEC.	SEE NOTE 4	APPROVALS		DATE	PREPARED BY: M. BLACHOWICZ ENGINEER IN CHARGE: D. WILDING DESIGN MANAGER: D. WILDING DESIGN ACTIVITY GROUP: C-2 28-Sep-18	
		THIRD ANGLE PROJECTION		SIZE: C CAGE CODE: 77820 DOCUMENT NO.: CA-628485-E79 REV. A SCALE: 0.9 REF. CA-628485-E15 SHEET 1 OF 3		

FORMAT: C-U-E-I

CA-628485-E79

SHEET 1 OF 3

REV. A

Eng. PDM Information For Reference Only

REVISION A

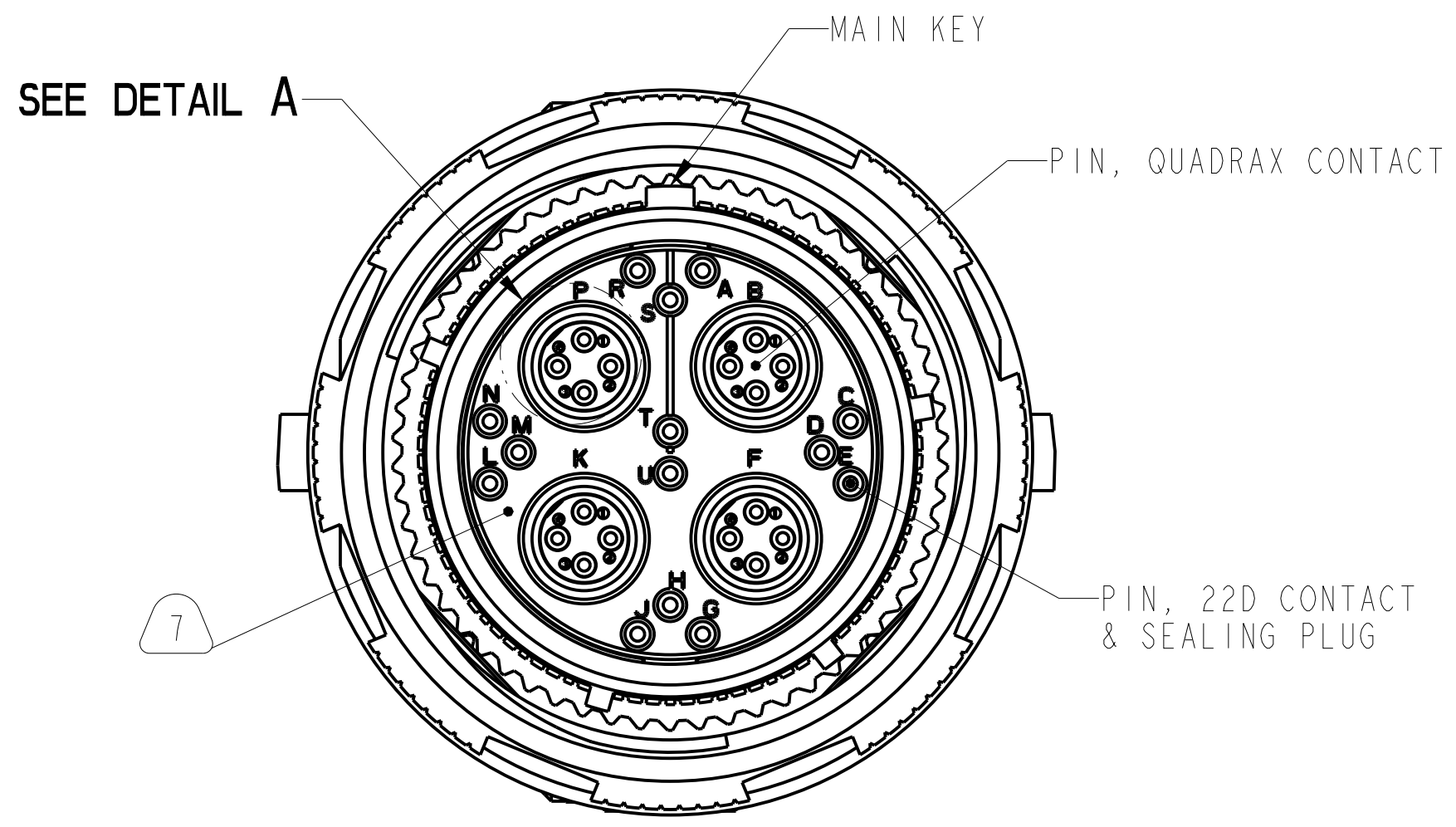
VERSION 6

SHEET 1 OF 3

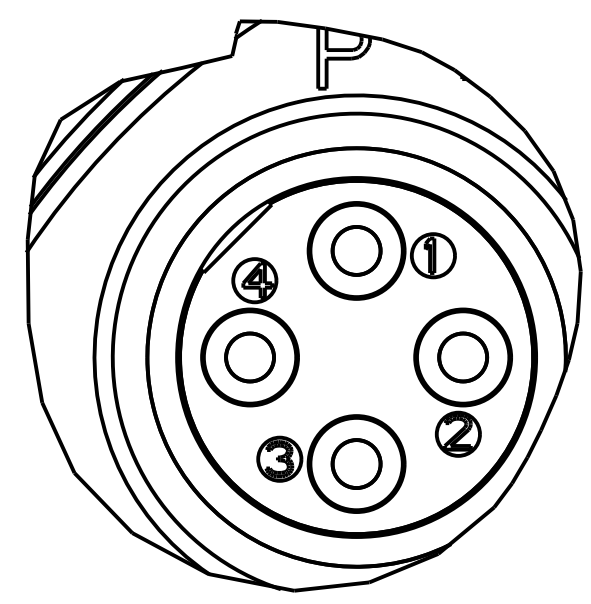
REV. A

CA-628485-E79

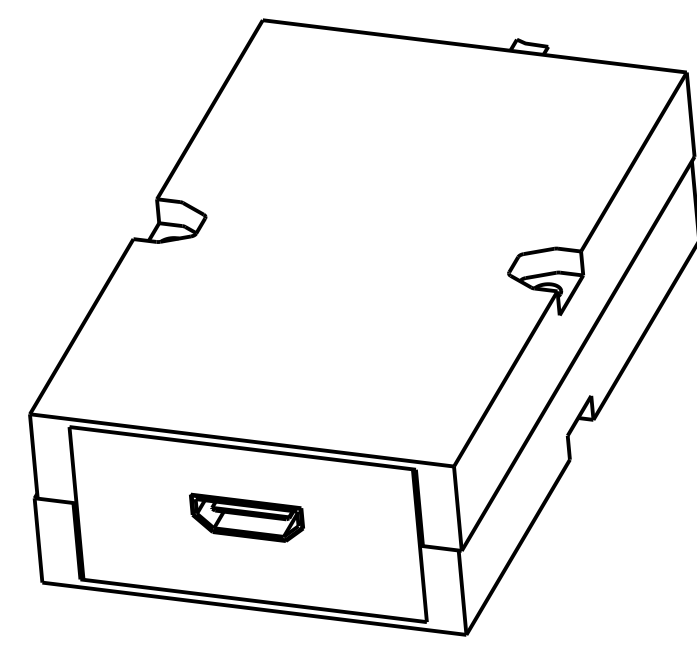
CA-628485-E79
 SHEET 2 OF 3
 REV. A
 C
 B
 A



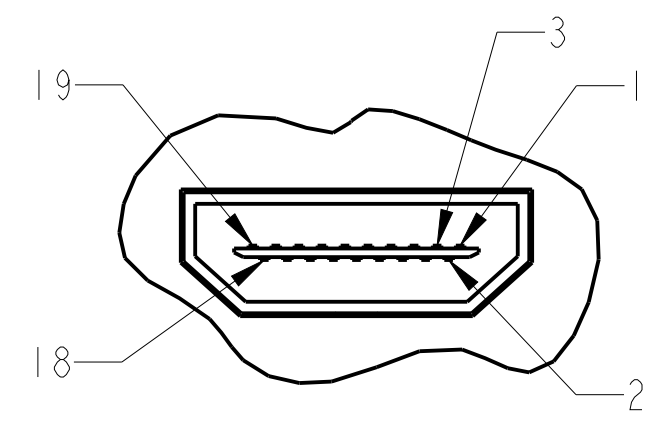
VIEW AT X-X
SCALE 3



DETAIL A
(QUADRAX CONTACT ID'S)
SCALE 10



HDMI CONNECTOR ISOMETRIC VIEW
SCALE 1



HDMI CONNECTOR DETAIL VIEW
(HDMI PAD ID'S)
SCALE 3

SEE SHEET 3

NOTES:

THE USE OF THIS DOCUMENT IS UNLIMITED. HOWEVER, DOCUMENTS REFERENCED HEREON MAY CONTAIN LIMITED RIGHTS DATA.

RELEASED / Apr. 30 2019, 1:32:35 PM

DOCUMENT NO. CA-628485-E79
 SHEET 2 OF 3
 REV. A
 Eng. PDM Information For Reference Only
 REVISION A
 VERSION 6

MARKING TABLE 8

LABEL 1	AMPHENOL, CA-628485-E79 [SERIALIZED DATE CODE] (9-9172-3) [LOT NUMBER]
LABEL 2	J1
LABEL 3	J2
LABEL 4	P1

ELECTRICAL TESTS 2

DESCRIPTION	REQUIREMENT
REPORT GENERATION	TEST REPORT SHALL BE SUPPLIED WITH EACH CABLE ASSEMBLY
PINOUT/CONTINUITY	PER WIRING TABLE
INSULATION RESISTANCE	50 VDC FOR 5 SEC 20 MΩ MINIMUM
DIFFERENTIAL INSERTION LOSS (BOTH DIRECTIONS)	NO GREATER THAN THE FOLLOWING: EXCLUDING TEST FIXTURING: -8dB (DC THRU 1.5625 GHz)
DIFFERENTIAL RETURN LOSS (BOTH DIRECTIONS)	<-12dB: @ 4.7 GHz
INTRA-PAIR SKEW	5PS PER PAIR MAX @1.5625 GHZ

WIRING TABLE 3

P1	J1	J2
B:1	7	-
B:2	4	-
B:3	9	-
B:4	6	-
F:1	-	7
F:2	-	4
F:3	-	9
F:4	-	6
K:1	-	1
K:2	-	10
K:3	-	3
K:4	-	12
P:1	1	-
P:2	10	-
P:3	3	-
P:4	12	-
B: OUTER	2	-
P: OUTER	5	-
	8	-
	11	-
K: OUTER	-	2
F: OUTER	-	5
	-	8
	-	11

9. P1 CONNECTOR TO MATE WITH J2 ON CF-020010-000 CONVERTER.

8. MARKING SHALL BE APPLIED WITH BLACK INK ON WHITE LABEL PER MARKING TABLE.

7. SEE LQ-21818-18 FOR INSERT ARRANGMENT.

6. CABLE ASSEMBLY SHALL BE MANUFACTURED IAW IPC/WHMA-A-620, CLASS 3

5. PACKAGING:
CABLES ARE TO BE SHIPPED COILED,
IN AN ANTISTATIC BAG, WITH DESICCANT.

4. PROCESS SPEC
9-9172-3

3. CABLE ASSEMBLY SHALL BE ASSEMBLED IN ACCORDANCE WITH WIRING TABLE.

2. TEST PER ELECTRICAL TEST TABLE

1. MARK UNIT CONTAINER WITH "AMPHENOL", PART NUMBER, SERIALIZED DATE CODE (9-9172-3) & LOT NO.
EXAMPLE:
AMPHENOL CA-628485-E79 1840001 181234567

NOTES:

THE USE OF THIS DOCUMENT IS UNLIMITED. HOWEVER, DOCUMENTS REFERENCED HEREON MAY CONTAIN LIMITED RIGHTS DATA.

RELEASED / Apr. 30 2019, 1:32:35 PM

SIZE C	CAGE CODE 77820	DOCUMENT NO. CA-628485-E79	REV. A
SCALE: 0.5		REF: CA-628485-E15	SHEET 3 OF 3

X-ON Electronics

Largest Supplier of Electrical and Electronic Components

Click to view similar products for [Audio Cables](#) / [Video Cables](#) / [RCA Cables](#) category:

Click to view products by [Amphenol](#) manufacturer:

Other Similar products are found below :

[59384500100E](#) [RCA10RCA](#) [DB25M05DB25MY](#) [DB25M10DB25MY](#) [DB25M10XLRMXLRFY](#) [1-3737-600-3216](#) [15AK25X](#) [CA19](#) [CA20](#)
[CAG34](#) [25FK25](#) [LF3BLX](#) [30-513](#) [28-511-0](#) [30-419](#) [30AR30](#) [30AK30](#) [30AN30](#) [RCA05RCA](#) [RCA05RCAB](#) [RCA05TS](#) [RCA10RCAB](#)
[420001400-3](#) [426058900-3](#) [427493000-3](#) [49152A-010-S2](#) [TT6RX](#) [TT7BKX](#) [TT93602](#) [32-3766](#) [32HR07284X](#) [CA25B](#) [CA39](#)
[DB25M02XLRMXLRFY](#) [LF1BKX](#) [LF3RX](#) [49442 010S2](#) [DVI-I-VGA/DVI-D-CBL-MATRIX](#) [VMP3YX](#) [VMP2YX](#) [TT746](#) [TT744](#) [CN13B](#)
[MDC4P13](#) [MDC8P53](#) [LF4GNX](#) [LF2GYX](#) [426494200-3](#) [49153A 010S2](#) [LF1RX](#)