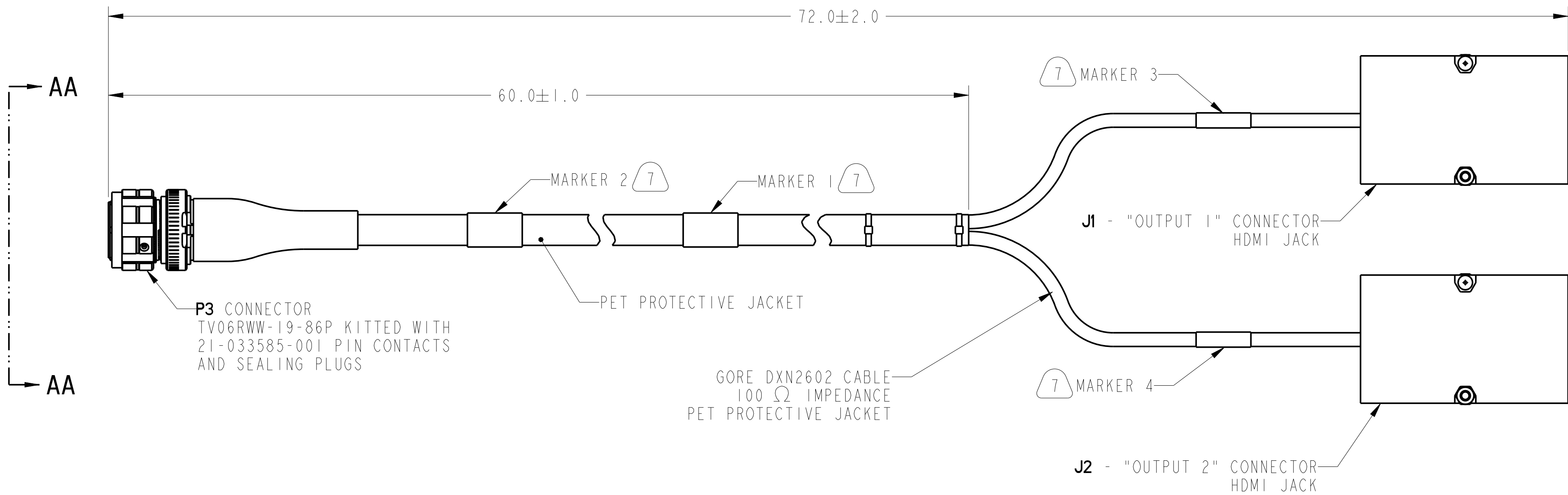


REV. A	SHEET 1 OF 3	CA-628485-E80
REVISIONS M		
LTR	DESCRIPTION	DATE
A	INITIAL RELEASE	10-May-2019

CA-628485-E80

SHEET 1 OF 3

REV. A



SEE SHEET 3

NOTES:

THE USE OF THIS DOCUMENT IS UNLIMITED. HOWEVER, DOCUMENTS REFERENCED HEREON MAY CONTAIN LIMITED RIGHTS DATA.

RELEASED / May. 15 2019, 10:21:34 AM

CA-628485-E80

SHEET 1 OF 3

REV. A

NONE NEXT ASSEMBLY

PRO/ENGINEER INFORMATION  
 Pro/e Model Used:  
 CA-628485-E80.ASSEM  
 Drawing Name:  
 CA-628485-E80

UNLESS OTHERWISE SPECIFIED	SPECIFICATIONS	POS	QTY	PART NUMBER	DESCRIPTION	NOTE
LINEAR DIMENSIONS ARE IN INCHES TOLERANCES: .XXXX = ±.0005 ANGLES= ±2° .XXX = ±.010 .XX = ±.03 .X = ±.1 DIM. & TOL. PER ASME Y14.5M; DRM PER MIL-STD-31000; OTHER Amphenol Stds. PER 9-3800 LEGENDS: =FLAG NOTE CALL OUT REFERENCE ONLY	MATERIAL SPEC.	PARTS LIST				
	NONE	<b>AMPHENOL CORPORATION</b> 40-60 DELAWARE AVENUE SIDNEY, N.Y. 13858 <b>CABLE ASSEMBLY,            OCS TO HDMI FEMALE,            2 PORTS, 6 FT</b>				
PROCESS SPEC.	SEE NOTE 4	APPROVALS PREPARED BY B. ALEXANDER ENGINEER IN CHARGE D. WILDING DESIGN MANAGER D. WILDING DESIGN ACTIVITY GROUP C2 DATE 28-Sep-18 THIRD ANGLE PROJECTION		SIZE C CAGE CODE 77820 SCALE: 0.7	DOCUMENT NO. CA-628485-E80 REF. CA-628485-E15	REV. A SHEET 1 OF 3

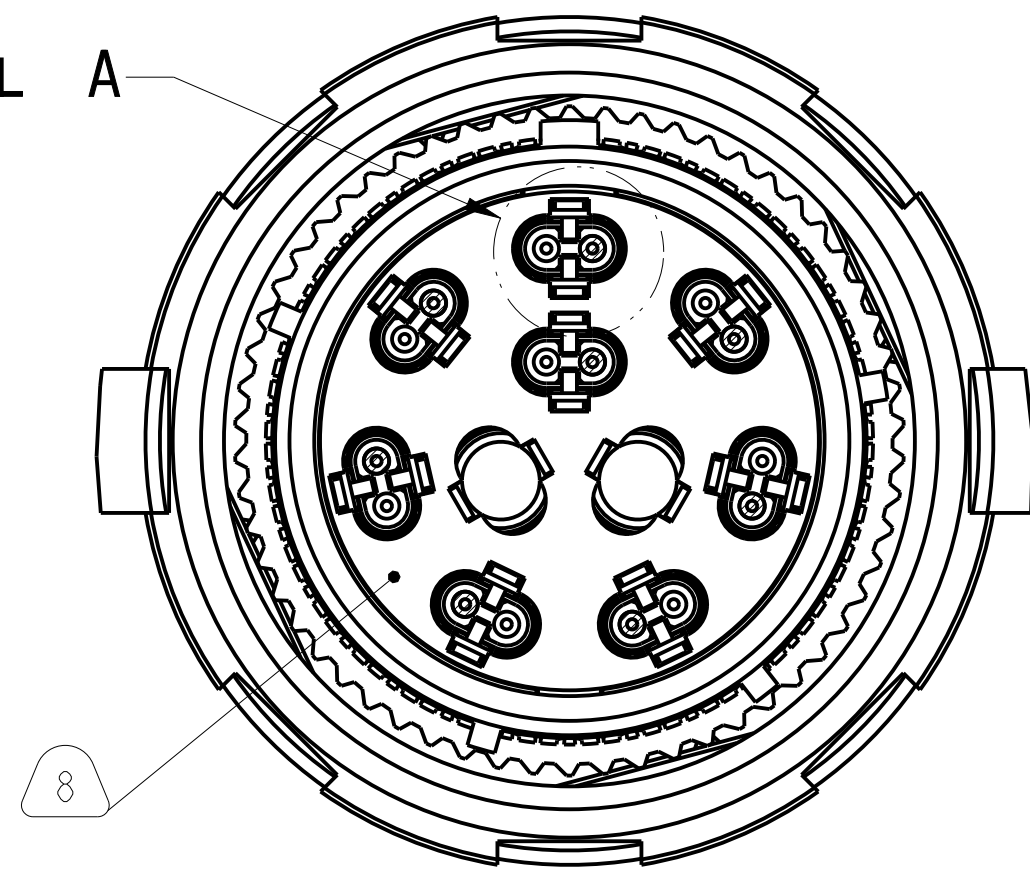
Eng. PDM Information For Reference Only

SHEET 1 OF 3

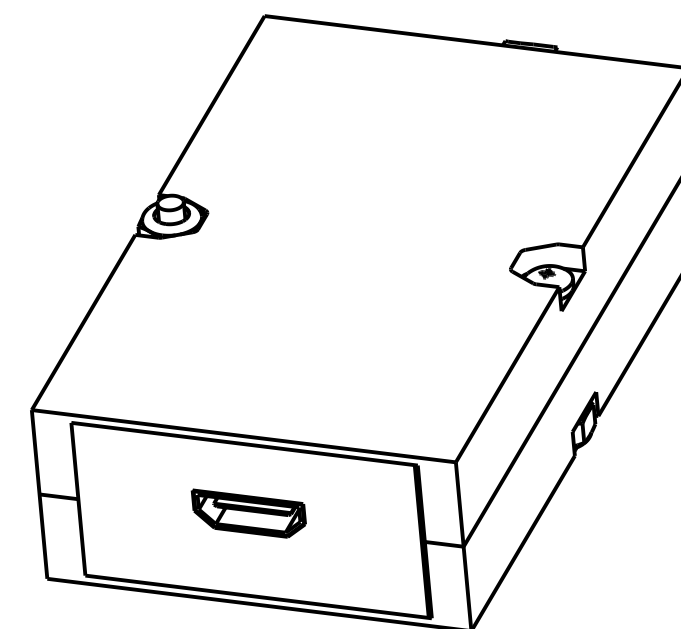
CA-628485-E80

CA-628485-E80  
 SHEET 2 OF 3  
 REV. A  
 C  
 B  
 A

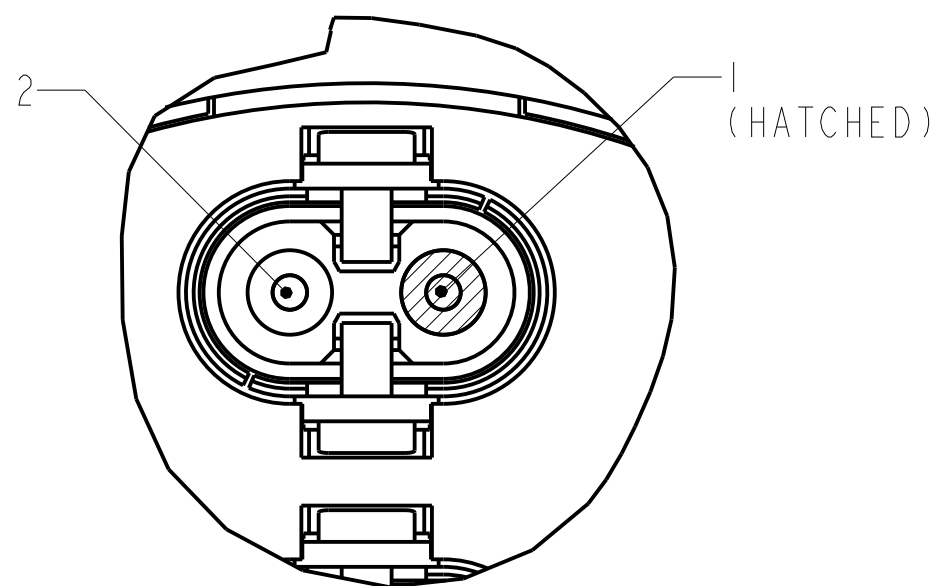
SEE DETAIL A



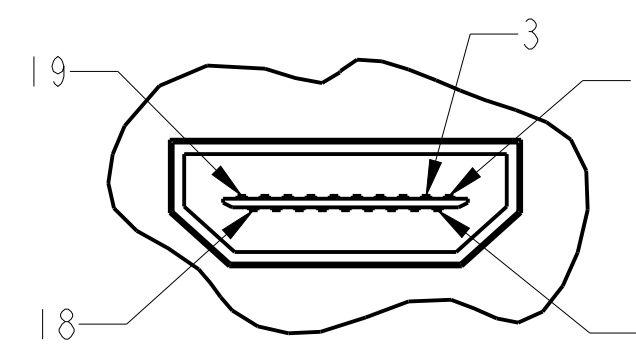
**VIEW AT AA-AA**  
 P3 CONNECTOR  
 SCALE 3



**ISOMETRIC VIEW**  
 J1 & J2 HDMI CONNECTORS  
 SCALE 1



**DETAIL A**  
 OCS CONTACT ID'S  
 SCALE 10



**HDMI JACK DETAIL**  
 HDMI PAD ID'S  
 SCALE 3

SEE SHEET 3

**NOTES:**

THE USE OF THIS DOCUMENT IS UNLIMITED.  
 HOWEVER, DOCUMENTS REFERENCED HEREON  
 MAY CONTAIN LIMITED RIGHTS DATA.

RELEASED / May. 15 2019, 10:21:35 AM

DOCUMENT NO. CA-628485-E80  
 SHEET 2 OF 3  
 REV. A  
 Eng. PDM Information For Reference Only  
 REVISION A  
 VERSION 6

### ELECTRICAL TESTS TABLE 2

DESCRIPTION	REQUIREMENT
REPORT GENERATION	TEST REPORT SHALL BE SUPPLIED WITH EACH CABLE ASSEMBLY
PINOUT/CONTINUITY	PER WIRING TABLE
INSULATION RESISTANCE	50 VDC FOR 5 SEC 125 MEGOHM MINIMUM
DIFFERENTIAL INSERTION LOSS (BOTH DIRECTIONS)	NO GREATER THAN THE FOLLOWING: EXCLUDING TEST FIXTURING: -8dB (DC THRU 1.5625 GHz)
DIFFERENTIAL RETURN LOSS (BOTH DIRECTIONS)	<-12dB: @ 4.7 GHz
INTRA-PAIR SKEW	5PS PER PAIR MAX @1.5625 GHZ

### MARKING TABLE 7

MARKER	AMPHENOL, CA-628485-E80 [SERIALIZED DATE CODE] (9-9172-3) [LOT NUMBER]
MARKER 1	
MARKER 2	P3
MARKER 3	J1
MARKER 4	J2

### WIRING TABLE 3

P3	J1	J2	DESCRIPTION
D-1	1	-	DATA2+
D-OUTER	2	-	DATA2 SHIELD
D-2	3	-	DATA2-
C-1	4	-	DATA1+
C-OUTER	5	-	DATA1 SHIELD
C-2	6	-	DATA1-
B-1	7	-	DATA0+
B-OUTER	8	-	DATA0 SHIELD
B-2	9	-	DATA0-
A-1	10	-	CLOCK+
A-OUTER	11	-	CLOCK SHIELD
A-2	12	-	CLOCK-
-	13	-	CEC
-	14	-	RESERVED
-	15	-	SCL
-	16	-	DDC
-	17	-	DDC/CEC GROUND
-	18	-	+5V
-	19	-	HOT PLUG DETECT
H-1	-	1	DATA2+
H-OUTER	-	2	DATA2 SHIELD
H-2	-	3	DATA2-
G-1	-	4	DATA1+
G-OUTER	-	5	DATA1 SHIELD
G-2	-	6	DATA1-
F-1	-	7	DATA0+
F-OUTER	-	8	DATA0 SHIELD
F-2	-	9	DATA0-
E-1	-	10	CLOCK+
E-OUTER	-	11	CLOCK SHIELD
E-2	-	12	CLOCK-
-	-	13	CEC
-	-	14	RESERVED
-	-	15	SCL
-	-	16	DDC
-	-	17	DDC/CEC GROUND
-	-	18	+5V
-	-	19	HOT PLUG DETECT
J-CAVITY	-	-	NO CONNECTION
K-CAVITY	-	-	NO CONNECTION

9. P3 CONNECTOR MATES TO J3 OF CF-020010-97X.

8 FOR INSERT ARRANGEMENT DATA SEE L-21818-86.

7 MARKING SHALL BE APPLIED WITH BLACK INK ON WHITE LABEL PER MARKING TABLE.

6. CABLE ASSEMBLY SHALL BE MANUFACTURED IAW IPC/WHMA-A-620, CLASS 3.

5. PACKAGING:  
CABLES ARE TO BE SHIPPED COILED OBSERVING A MINIMUM BEND RADIUS OF 10X BUNDLE DIAMETER, IN AN ANTISTATIC BAG, WITH DESICCANT.

4. PROCESS SPEC  
9-9172-3

3 CABLE ASSEMBLY SHALL BE WIRED IN ACCORDANCE WITH WIRING TABLE.

2 TEST PER ELECTRICAL TESTS TABLE

1. MARK UNIT CONTAINER WITH "AMPHENOL", PART NUMBER, SERIALIZED DATE CODE (9-9172-3) & LOT NO.

EXAMPLE:  
AMPHENOL CA-628485-E80 1840001 181234567

#### NOTES:

THE USE OF THIS DOCUMENT IS UNLIMITED. HOWEVER, DOCUMENTS REFERENCED HEREON MAY CONTAIN LIMITED RIGHTS DATA.

RELEASED / May. 15 2019, 10:21:35 AM

## X-ON Electronics

Largest Supplier of Electrical and Electronic Components

*Click to view similar products for [Audio Cables](#) / [Video Cables](#) / [RCA Cables](#) category:*

*Click to view products by [Amphenol](#) manufacturer:*

Other Similar products are found below :

[59384500100E](#) [RCA10RCA](#) [DB25M05DB25MY](#) [DB25M10DB25MY](#) [DB25M10XLRMXLRFY](#) [1-3737-600-3216](#) [15AK25X](#) [CA19](#) [CA20](#)  
[CAG34](#) [25FK25](#) [LF3BLX](#) [30-513](#) [28-511-0](#) [30-419](#) [30AR30](#) [30AK30](#) [30AN30](#) [RCA05RCA](#) [RCA05RCAB](#) [RCA05TS](#) [RCA10RCAB](#)  
[420001400-3](#) [426058900-3](#) [427493000-3](#) [49152A-010-S2](#) [TT6RX](#) [TT7BKX](#) [TT93602](#) [32-3766](#) [32HR07284X](#) [CA25B](#) [CA39](#)  
[DB25M02XLRMXLRFY](#) [LF1BKX](#) [LF3RX](#) [49442 010S2](#) [DVI-I-VGA/DVI-D-CBL-MATRIX](#) [VMP3YX](#) [VMP2YX](#) [TT746](#) [TT744](#) [CN13B](#)  
[MDC4P13](#) [MDC8P53](#) [LF4GNX](#) [LF2GYX](#) [426494200-3](#) [49153A 010S2](#) [LF1RX](#)