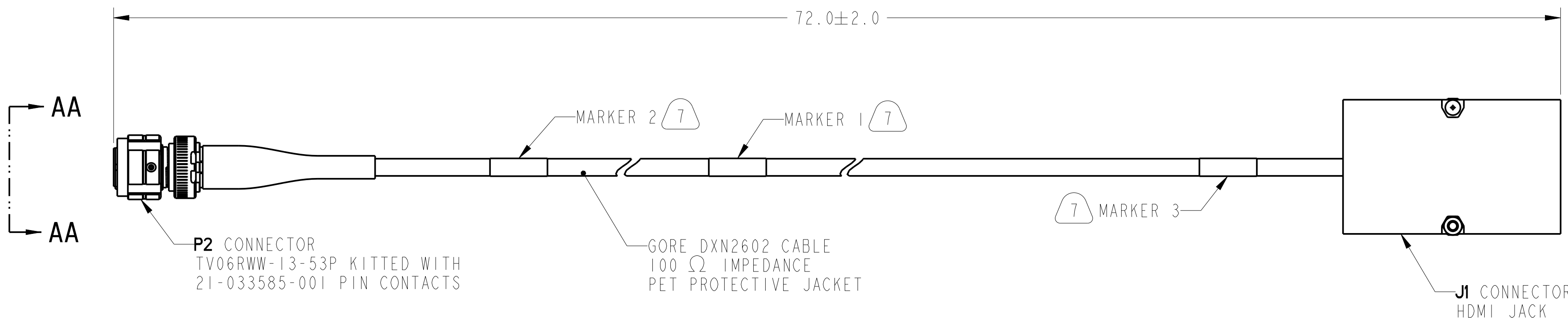


REV. A	SHEETS 1 OF 3	DOCUMENT NO. CA-628485-E81
REVISIONS M		
LTR	DESCRIPTION	DATE
A	INITIAL RELEASE	22-Apr-2019

CA-628485-E81

SHEET 1 OF 3

REV. A



SEE SHEET 3

NOTES:

THE USE OF THIS DOCUMENT IS UNLIMITED. HOWEVER, DOCUMENTS REFERENCED HEREON MAY CONTAIN LIMITED RIGHTS DATA.

RELEASED / May. 15 2019, 10:26:43 AM

NONE NEXT ASSEMBLY

PRO/ENGINEER INFORMATION
 Pro/e Model Used:
 CA-628485-E81.ASSEM
 Drawing Name:
 CA-628485-E81

UNLESS OTHERWISE SPECIFIED	SPECIFICATIONS	POS	QTY	PART NUMBER	DESCRIPTION	NOTE
LINEAR DIMENSIONS ARE IN INCHES TOLERANCES: .XXXX = ±.0005 ANGLES= ±2° .XXX = ±.010 .XX = ±.03 .X = ±.1 DIM. & TOL. PER ASME Y14.5M; DRM PER MIL-STD-31000; OTHER Amphenol Stds. PER 9-3800 LEGENDS: =FLAG NOTE CALL OUT REFERENCE ONLY	MATERIAL SPEC.	PARTS LIST				
	NONE	AMPHENOL CORPORATION <small>40-60 DELAWARE AVENUE SIDNEY, N.Y. 13838</small> CABLE ASSEMBLY, OCS TO HDMI FEMALE, 1 PORT, 6 FT				
PROCESS SPEC.	SEE NOTE 4	APPROVALS PREPARED BY B. ALEXANDER ENGINEER IN CHARGE D. WILDING DESIGN MANAGER D. WILDING DESIGN ACTIVITY GROUP C2 DATE 26-Nov-18 THIRD ANGLE PROJECTION		SIZE C CAGE CODE 77820 DOCUMENT NO. CA-628485-E81 REF. CA-628485-E15 REV. A SHEET 1 OF 3		

FORMAT: C-U-E-I

CA-628485-E81

SHEET 1 OF 3

REV. A

SHEET 1 OF 3

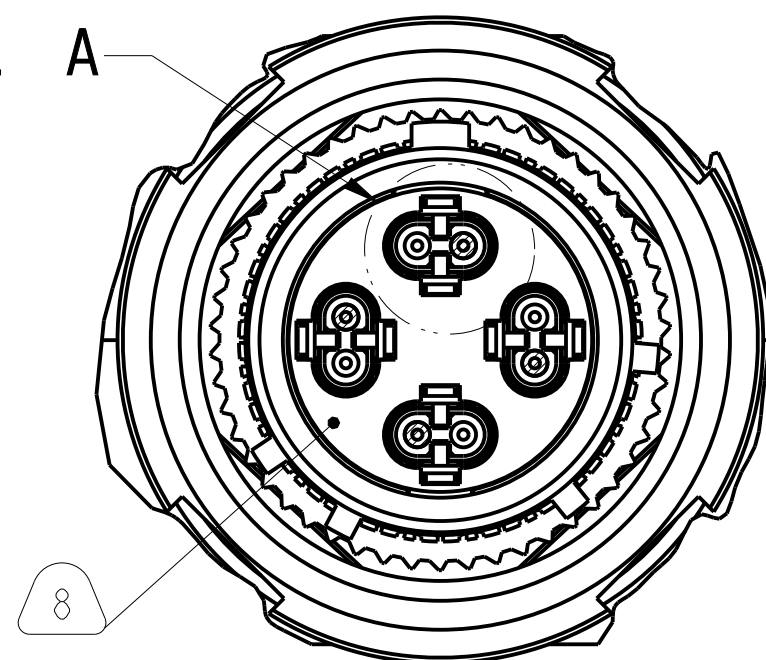
CA-628485-E81

Eng. PDM Information For Reference Only

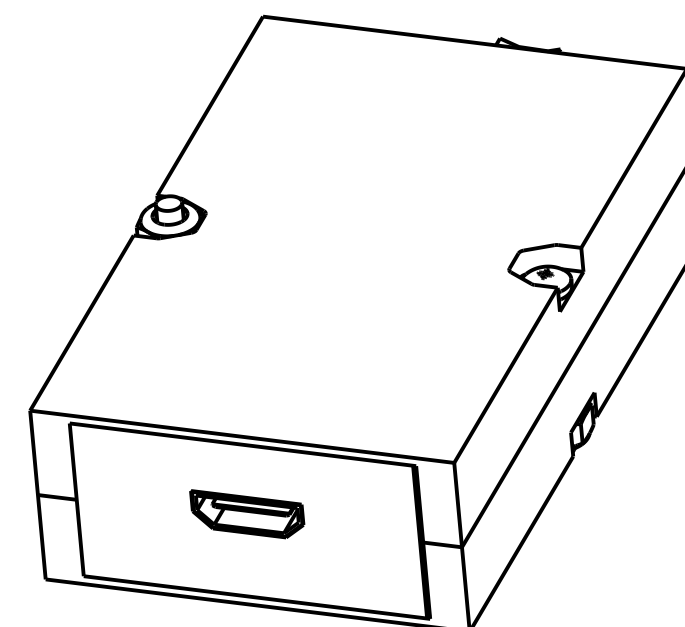
REVISION A

VERSION 5

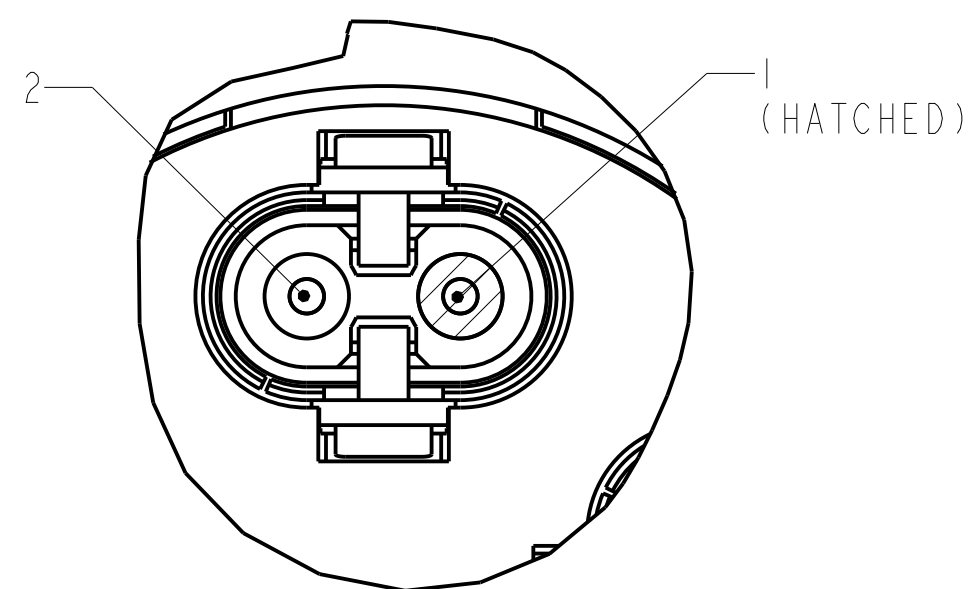
SEE DETAIL A



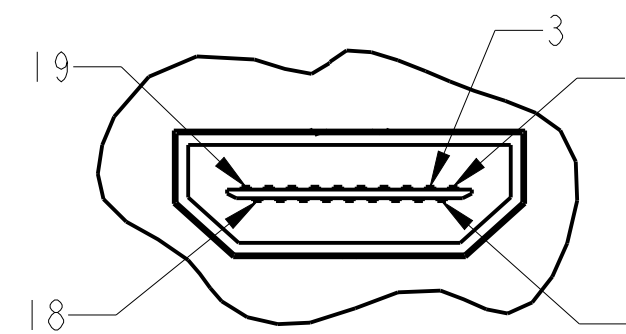
VIEW AT AA-AA
PI CONNECTOR
SCALE 3



ISOMETRIC VIEW
JI HDMI CONNECTOR
SCALE 1



DETAIL A
OCS CONTACT ID'S
SCALE 10



HDMI JACK DETAIL
HDMI PAD ID'S
SCALE 3

SEE SHEET 3

NOTES:

THE USE OF THIS DOCUMENT IS UNLIMITED.
HOWEVER, DOCUMENTS REFERENCED HEREON
MAY CONTAIN LIMITED RIGHTS DATA.

RELEASED / May. 15 2019, 10:26:43 AM

SIZE C	CAGE CODE 77820	DOCUMENT NO. CA-628485-E81	REV. A
SCALE: 0.1		REF: CA-628485-E15	SHEET 2 OF 3

DOCUMENT NO. CA-628485-E81
 SHEET 2 OF 3
 REV. A
 Eng. PDM Information For Reference Only
 REVISION A
 VERSION 5

ELECTRICAL TESTS TABLE 2

DESCRIPTION	REQUIREMENT
REPORT GENERATION	TEST REPORT SHALL BE SUPPLIED WITH EACH CABLE ASSEMBLY
PINOUT/CONTINUITY	PER WIRING TABLE
INSULATION RESISTANCE	50 VDC FOR 5 SEC 125 MEGOHM MINIMUM
DIFFERENTIAL INSERTION LOSS (BOTH DIRECTIONS)	NO GREATER THAN THE FOLLOWING: EXCLUDING TEST FIXTURING: -8dB (DC THRU 1.5625 GHz)
DIFFERENTIAL RETURN LOSS (BOTH DIRECTIONS)	<-12dB: @ 4.7 GHz
INTRA-PAIR SKEW	5PS PER PAIR MAX @1.5625 GHZ

MARKING TABLE 7

MARKER 1	AMPHENOL, CA-628485-E81 [SERIALIZED DATE CODE] (9-9172-3) [LOT NUMBER]
MARKER 2	P2
MARKER 3	J1

WIRING TABLE 3

P2	J1	DESCRIPTION
D-1	1	DATA2+
D-OUTER	2	DATA2 SHIELD
D-2	3	DATA2-
C-1	4	DATA1+
C-OUTER	5	DATA1 SHIELD
C-2	6	DATA1-
B-1	7	DATA0+
B-OUTER	8	DATA0 SHIELD
B-2	9	DATA0-
A-1	10	CLOCK+
A-OUTER	11	CLOCK SHIELD
A-2	12	CLOCK-
-	13	CEC
-	14	RESERVED
-	15	SCL
-	16	DDC
-	17	DDC/CEC GROUND
-	18	+5V
-	19	HOT PLUG DETECT

9. P2 CONNECTOR MATES TO J2 OF CF-020010-97X.

8 FOR INSERT ARRANGEMENT DATA SEE L-21812-53.

7 MARKING SHALL BE APPLIED WITH BLACK INK ON WHITE LABEL PER MARKING TABLE.

6. CABLE ASSEMBLY SHALL BE MANUFACTURED IAW IPC/WHMA-A-620, CLASS 3.

5. PACKAGING:
CABLES ARE TO BE SHIPPED COILED OBSERVING A MINIMUM BEND RADIUS OF 10X BUNDLE DIAMETER, IN AN ANTISTATIC BAG, WITH DESICCANT.

4. PROCESS SPEC
9-9172-3

3 CABLE ASSEMBLY SHALL BE WIRED IN ACCORDANCE WITH WIRING TABLE.

2 TEST PER ELECTRICAL TESTS TABLE.

1. MARK UNIT CONTAINER WITH "AMPHENOL", PART NUMBER, SERIALIZED DATE CODE (9-9172-3) & LOT NO.

EXAMPLE:
AMPHENOL CA-628485-E81 1840001 181234567

NOTES:

THE USE OF THIS DOCUMENT IS UNLIMITED. HOWEVER, DOCUMENTS REFERENCED HEREON MAY CONTAIN LIMITED RIGHTS DATA.

RELEASED / May. 15 2019, 10:26:43 AM

SIZE C	CAGE CODE 77820	DOCUMENT NO. CA-628485-E81	REV. A
SCALE: 0.5		REF: CA-628485-E15	SHEET 3 OF 3

CA-628485-E81 SHEET 3 OF 3 REV. A

X-ON Electronics

Largest Supplier of Electrical and Electronic Components

Click to view similar products for [Audio Cables](#) / [Video Cables](#) / [RCA Cables](#) category:

Click to view products by [Amphenol](#) manufacturer:

Other Similar products are found below :

[59384500100E](#) [RCA10RCA](#) [DB25M05DB25MY](#) [DB25M10DB25MY](#) [DB25M10XLRMXLRFY](#) [1-3737-600-3216](#) [15AK25X](#) [CA19](#) [CA20](#)
[CAG34](#) [25FK25](#) [LF3BLX](#) [30-513](#) [28-511-0](#) [30-419](#) [30AR30](#) [30AK30](#) [30AN30](#) [RCA05RCA](#) [RCA05RCAB](#) [RCA05TS](#) [RCA10RCAB](#)
[420001400-3](#) [426058900-3](#) [427493000-3](#) [49152A-010-S2](#) [TT6RX](#) [TT7BKX](#) [TT93602](#) [32-3766](#) [32HR07284X](#) [CA25B](#) [CA39](#)
[DB25M02XLRMXLRFY](#) [LF1BKX](#) [LF3RX](#) [49442 010S2](#) [DVI-I-VGA/DVI-D-CBL-MATRIX](#) [VMP3YX](#) [VMP2YX](#) [TT746](#) [TT744](#) [CN13B](#)
[MDC4P13](#) [MDC8P53](#) [LF4GNX](#) [LF2GYX](#) [426494200-3](#) [49153A 010S2](#) [LF1RX](#)