



CATALOGUE

X-Lok Connector

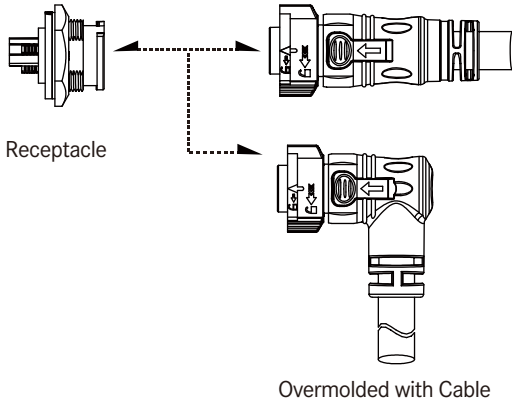




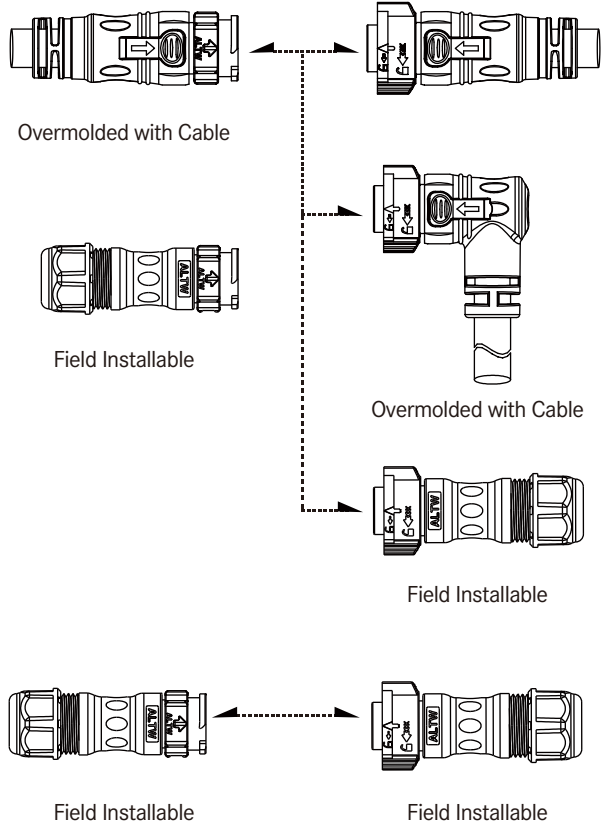
【Note】 Design and specification are subject to change without notice.

Range Overview

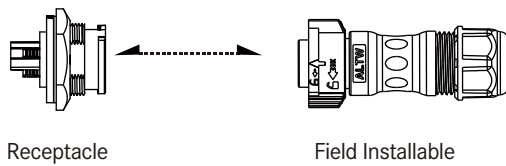
Receptacle to Overmolded with Cable



In-Line



Receptacle to Field Installable



Accessories

Waterproof Cap

Waterproof Cap with Fishe Line / Rubber Lead

Contact

Crimp Tool

This diagram shows four accessories enclosed in a dashed box. From left to right: a waterproof cap, a waterproof cap with a fishing line or rubber lead attached, a contact pin, and a crimping tool.

Specification

Identifications	Power Group (B,C,D size) Data Group (B,C,D size) Hybrid Group (B,C,D size)
Mating Style	Push Lock
Description	Receptacle Overmolded with Cable Field Installable
Current Rating / Data	B size (5A, 10A, 10A+5A) C size (5A, 10A, 20A, 10A+5A) D size (5A, 20A, 20A+5A)
Material	Contacts: Copper Alloy, Gold Plated Connector Body (Housing) : Nylon+GF, UL Recognized Gasket & O-ring: Rubber, UL Recognized
Waterproof Rating	IP68
Temperature Range	Receptacle: -40°C~105°C Overmolded With Cable: <ul style="list-style-type: none"> • Date Group: -20°C~80°C • Power Group: -20°C~105°C • Hybrid Group: -40°C~105°C Field Installable: -40°C~105°C
Contact Resistance	≤10mΩ
Insulation Resistance	≥100MΩ at DC500V
Durability	1000 cycles
Dielectric Withstand Voltage	1,000V plus 2 times the rated voltage / 1 minute
More to know	Standard Cable Length: 01~99M

【Note】 Design and specification are subject to change without notice.

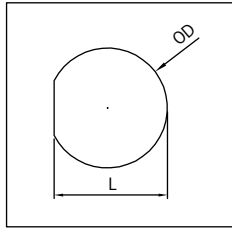
Ordering Information

1	2	3	4	5	6	7	8	9	10
Specification / Current Rating									
<u>≥ Standard Size</u>			<u>≥ Middle Size</u>			<u>≥ Large Size</u>			
(BD) 5A			(CD) 5A			(DD) 5A			
(BB) 10A			(CB) 10A			(DC) 20A			
(BBB) 10A+5A			(CC) 20A			(DCD) 20A+5A			
			(CBD) 10A+5A						
Number of Contacts									
02, 03.... e.g. (02) = 2 Contacts									
Connector Body (Style)									
<u>≥ For Receptacle</u>			<u>≥ For Overmolded with Cable</u>			<u>≥ For Field Installable</u>			
(P) Front Fastened			(A) With Strain Relief			(B) With Strain Relief			
(R) Rear Fastened									
Connector (Housing) Gender									
(M) Male Connector					(F) Female Connector				
Contact Gender									
(M) Male									
(F) Female									
Assemble Style									
<u>≥ For Receptacle</u>			<u>≥ For Overmolded with Cable</u>			<u>≥ For Field Installable</u>			
(S) Solder Type			(M) Overmolded with Cable			(A) Crimp Type			
(B) Screw in Type									
Mating Style									
(Q) Push Lock									
Backshell									
<u>≥ For Receptacle</u>			<u>≥ For Overmolded with Cable</u>						
(C) Circular			(L) Straight						
(S) Square			(R) Right Angle						
Waterproof Rating									
(8) IP68									
More Information									
<u>≥ For Receptacle</u>			<u>≥ For Overmolded with Cable</u>			<u>≥ For Field Installable</u>			
(001), (002)			(□)+(■) : Cable Type + Cable Length			(□)+(■)+(○) : Seal Size + Package Options + Application			
For Data Group & Different Versions			e.g. (A01) = UL2464 Cable + 1M			e.g. (SN0) = Seal S + Connector without Contact + for Data Group			
(00P) For Power Group			<u>(□) : Cable Type</u> (A) UL2464 Cable - Upon request (D) UL21388 Cable - Data Group (E) UL SJTW Cable - Power Group (F) UL21996 Cable - Hybrid Group			<u>(■) : Cable Length</u> From 1M to 99M e.g. (01) = 1M			
			<u>(□) : Seal Type</u> B Size: (S) 5.0~6.0mm (M) 6.0~8.0mm (L) 8.0~10.0mm			<u>(■) : Package Options</u> (N) Connector without Contact* (P) Connector with Contacts		<u>(○) : Application</u> (O) For Data Group (P) For Power Group	
			C Size: (S) 6.0~8.0mm (M) 8.0~10.0mm (L) 10.0~12.0mm			* Contacts are available to be sold in bulk individually. For further information, please refer to page 20-22.			
			D Size: (S) 8.0~10.0mm (M) 10.0~12.0mm (L) 12.0~14.0mm						

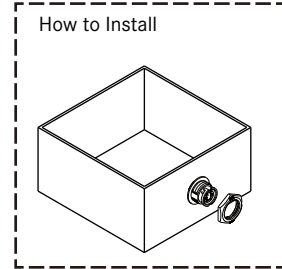
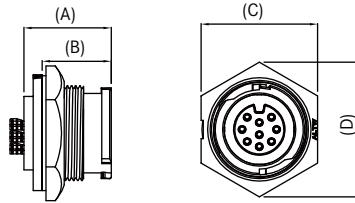
Physical Dimension | Data Group

Receptacle

Panel Cut-out



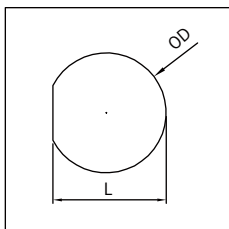
Front Fastened



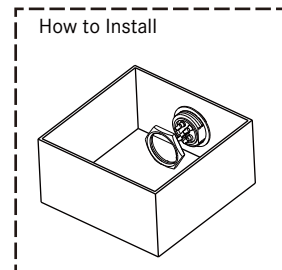
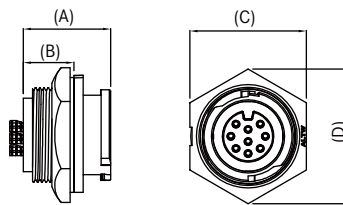
Size	Current Rating (Code)	L	OD	A	B	C	D	Pannel Thickness Max.
B	5A (BD)	14.8	15.6	18.8	14.0	20.6	23.7	4
	10A (BB)							
C	5A (CD)	19.4	20.8	19.0	15.0	25.4	29.3	4.2
	10A (CB)							
D	5A (DD)	23.6	25.6	18.0	14.9	28.6	33.0	3.6

Unit: mm

Panel Cut-out



Rear Fastened

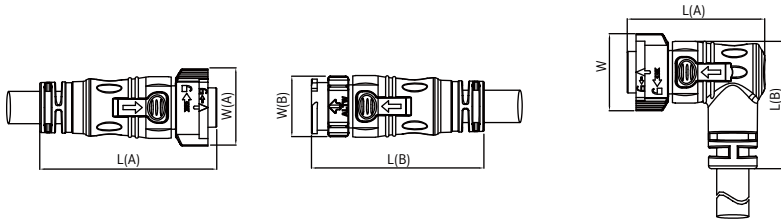


Size	Current Rating (Code)	L	OD	A	B	C	D	Panel Thickness Max.
B	5A (BD)	14.8	15.6	18.6	10.8	20.6	23.7	4.5
	10A (BB)							
C	5A (CD)	19.4	20.8	19.0	11.0	25.4	29.3	4.2
	10A (CB)							
D	5A (DD)	23.6	25.6	18.0	14.9	28.6	33.0	3.6

Unit: mm

[Note] Design and specification are subject to change without notice.

∟ **Overmolded With Cable**



Size	Current Rating (Code)	Straight Style				Right Angle Style		
		L		W		L(A)	L(B)	W
		Female (A)	Male (B)	Female (A)	Male (B)	Female		
B	5A (BD)	53.4	53.0	25.0	20.1	45.2	34.5	25.0
	10A (BB)							
C	5A (CD)	64.2	62.7	28.0	22.4	50.0	46.2	28.0
	10A (CB)							
D	5A (DD)	62.4	61.8	36.0	27.0	63.0	49.5	36.0

Unit: mm

∟ **Field Installable**



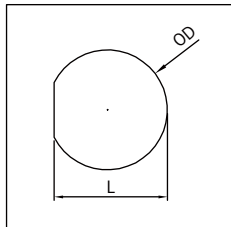
Size	Current Rating (Code)	Straight Style				Seal Size		
		L		W		S	M	L
		Female (A)	Male (B)	Female (A)	Male (B)			
B	5A (BD)	66.2	66.0	25.0	20.0	5.0~6.0	6.0~8.0	8.0~10.0
	10A (BB)							
C	5A (CD)	64.2	62.7	28.0	22.4	6.0~8.0	8.0~10.0	10.0~12.0
	10A (CB)							
	20A (CC)							
D	5A (BD)	70.2	69.0	36.0	27.0	8.0~10.0	10.0~12.0	12.0~14.0
	10A (BB)							

Unit: mm

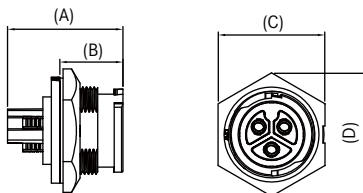
Physical Dimension | Power Group

Receptacle

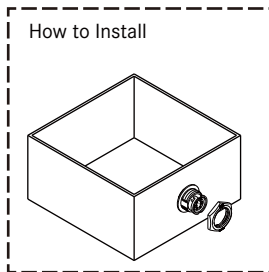
Panel Cut-out



Front Fastened



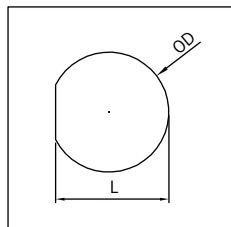
How to Install



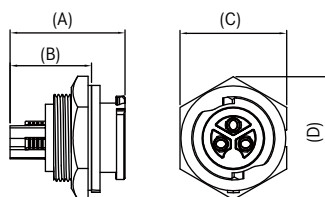
Size	Current Rating (Code)	L	OD	A	B	C	D	Panel Thickness Max.
B	5A (BD)	14.8	15.6	18.8	14.0	20.6	23.7	4
	10A (BB)							
C	20A (CC)	19.4	20.8	27.4	15.0	25.4	29.3	4.2
D	20A (DC)	23.6	25.6	26.3	14.9	28.6	33.0	3.6

Unit: mm

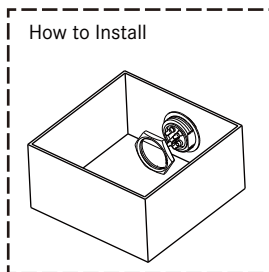
Panel Cut-out



Rear Fastened



How to Install

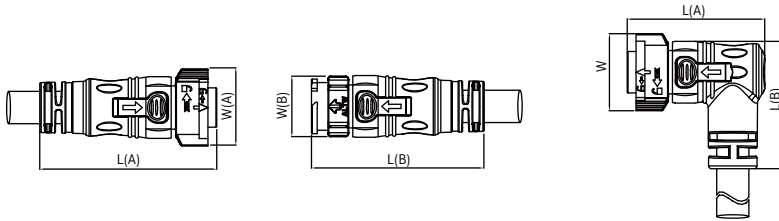


Size	Current Rating (Code)	L	OD	A	B	C	D	Panel Thickness Max.
B	5A (BD)	14.8	15.6	18.6	10.8	20.6	23.7	4.5
	10A (BB)							
C	20A (CC)	19.4	20.8	27.4	19.4	25.4	29.3	4.2
D	20A (DC)	23.6	25.6	26.3	18.1	28.6	33.0	3.6

Unit: mm

[Note] Design and specification are subject to change without notice.

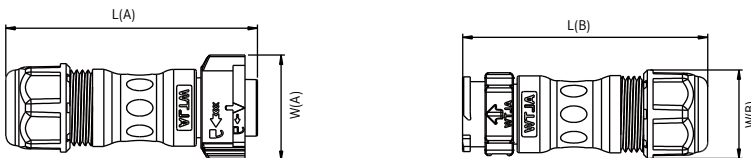
∟ **Overmolded With Cable**



Size	Current Rating (Code)	Straight Style				Right Angle Style		
		L		W		L(A)	L(B)	W
		Female (A)	Male (B)	Female (A)	Male (B)	Female		
B	5A (BD)	53.4	53.0	25.0	20.1	45.2	34.5	25.0
	10A (BB)							
C	5A (CD)	64.2	62.7	28.0	22.4	50.0	46.2	28.0
	10A (CB)							
D	5A (DD)	62.4	61.8	36.0	27.0	63.0	49.5	36.0

Unit: mm

∟ **Field Installable**



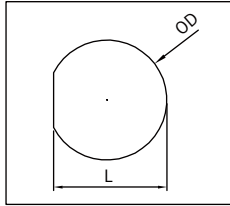
Size	Current Rating (Code)	Straight Style				Seal Size		
		L		W		S	M	L
		Female (A)	Male (B)	Female (A)	Male (B)			
B	5A (BD)	66.2	66.0	25.0	20.0	5.0~6.0	6.0~8.0	8.0~10.0
	10A (BB)							
C	5A (CD)	64.2	62.7	28.0	22.4	6.0~8.0	8.0~10.0	10.0~12.0
	10A (CB)							
	20A (CC)							
D	5A (BD)	70.2	69.0	36.0	27.0	8.0~10.0	10.0~12.0	12.0~14.0
	10A (BB)							

Unit: mm

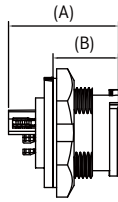
Physical Dimension | Hybrid Group

Receptacle

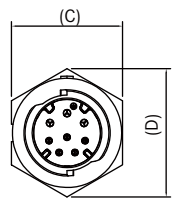
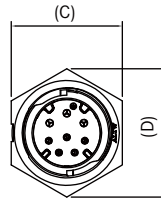
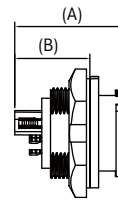
Panel Cut-out



Front Fastened



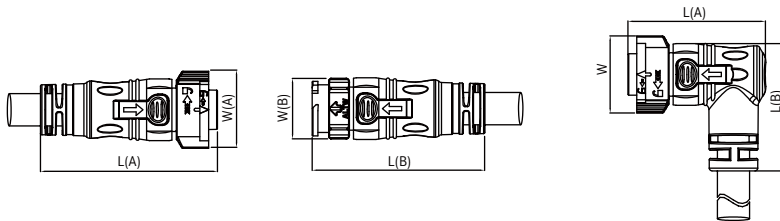
Rear Fastened



Size	Current Rating (Code)	Fasten Style	L	OD	A	B	C	D	Panel Thickness Max.
B	10A+5A (BBD)	Front	14.8	15.6	26.0	14.0	20.6	23.7	4
		Rear	14.8	15.6	24.9	17.0	20.6	23.7	4.5
C	10A+5A (CBD)	Front	19.4	20.8	25.2	15.0	25.4	29.3	4.2
		Rear	19.4	20.8	25.2	17.2	25.4	29.3	4.2
D	20A+5A (DCD)	Front	23.6	25.6	24.1	14.9	28.6	33.0	3.6
		Rear	23.6	25.6	24.1	15.9	28.6	33.0	3.6

Unit: mm

Overmolded With Cable



Size	Current Rating (Code)	Straight Style				Right Angle Style		
		L		W		L(A)	L(B)	W
		Female (A)	Male (B)	Female (A)	Male (B)	Female		
B	10A+5A (BBD)	53.4	53.0	25.0	20.1	45.2	34.5	25.0
C	10A+5A (CBD)	64.2	62.7	28.0	22.4	50.0	46.2	28.0
D	20A+5A (DCD)	62.4	61.8	36.0	27.0	63.0	49.5	36.0

Unit: mm

【Note】 Design and specification are subject to change without notice.

Contact Configuration

	Standard Size (B)										Middle			
	Data				Power				Hybrid		Data			
	5A (BD)		10A (BB)		5A (BD)		10A (BB)		10A+5A (BBD)		5A (CD)		10A (CB)	
④⑤	MM or FF	MF or FM	MM or FF	MF or FM	MM or FF	MF or FM	MM or FF	MF or FM	MM or FF	MF or FM	MM or FF	MF or FM	MM or FF	MF or FM
2 Pin (02)														
	R C F	R C F	R C	R C			R C F	R C F						
3 Pin (03)														
	R C F	R C F	R C	R C	R C	R C	R C F	R C F	R C	R C				
4 Pin (04)														
	R C F	R C F	R C				R C F		R C	R C			R C F	R C F
5 Pin (05)														
	R C F	R C F							R C	R C			R C F	R C F
6 Pin (06)														
	R C F	R C F							R C	R C			R C F	
7 Pin (07)														
	R C F										R C F	R C F		
8 Pin (08)														
	R C F										R C F	R C F		
9 Pin (09)														
											R C F	R C F		
10 Pin (10)														
											R C F			
11 Pin (11)														
12 Pin (12)														
											R C F			
14 Pin (14)														
18 Pin (18)														

X-Lok Connector | Contact Configuration

Standard Size (5A | 10A | 10A+5A) | Middle Size (5A | 10A | 20A | 10A+5A) | Large Size (5A | 20A | 20A+5A)

Size (C)				Large Size (D)									
Power		Hybrid		Data		Power		Hybrid					
20A (CC)		10A+5A (CBD)		5A (DD)		20A (DC)		20A+5A (DCD)					
MM or FF	MF or FM	MM or FF	MF or FM	MM or FF	MF or FM	MM or FF	MF or FM	MM or FF	MF or FM	MM or FF	MF or FM	MM or FF	MF or FM
R C F	R C F					R C F	R C F						
R C F	R C F					R C F	R C F						
		R C	R C					R C	R C				
		R C	R C			R C F	R C F	R C	R C				
		R C	R C					R C	R C				
		R C	R C					R C	R C				
		R C	R C					R C	R C				
								R C	R C				
								R C	R C				
								R C	R C				
								R C	R C				
								R C	R C				
								R C	R C				
								R C	R C				
								R C	R C				
								R C	R C				
								R C	R C				
								R C	R C				
								R C	R C				

R: Receptacle
C: Overmolded with Cable
F: Field Installable

● 5A (BD/CD/DD) **1**

● 10A (BB/CB)

⊕ 20A (CC/DC)

● ● 10A + 5A (BBD)

⊕ ● 20A + 5A (DCD)


Number of Contacts: **2**
 e.g. 3 Pin (03)

Connector (Housing) Gender: **4**
 Male (M) or Female (F)


Contact Gender: **5**
 Male (M) or Female (F)

More to Choose: **6**

● Solder (S) ● Crimp (A)



For receptacle and overmolded with cable

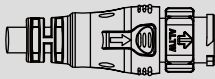
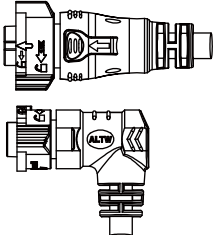
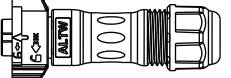



For field installable

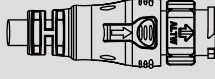
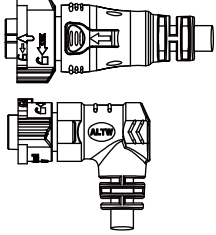
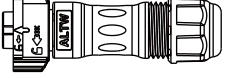

[Note] Design and specification are subject to change without notice.

Find Our Standard Products

Standard Size: 5/8"-27 UNS > In-line

<ul style="list-style-type: none"> Male Connector (Housing) Male Contacts Push Lock 			Overmolded with Cable 	Overmolded with Cable 	Field Installable   ASSP- 2 FAC 6 P/N refers to page 20-22
Group	Current Rating (Code)	Contacts 2	Male Connector (M) Male Contacts (M)	Female Connector (F) Female Contacts (F)	Female Connector (F) Female Contacts (F)
Data	5A (BD)	02,03,04,05,06,07,08	BD- 2 AMMM-QL8DXX*	BD- 2 AFFM-QL8DXX* BD- 2 AFFM-QR8DXX*	BD- 2 BFFA-QL8X ¹ X ² 0**
	10A (BB)	02,03,04	BB- 2 AMMM-QL8DXX*	BB- 2 AFFM-QL8DXX* BB- 2 AFFM-QR8DXX*	-
Power	5A (BD)	03	BD-03AMMM-QL8EXX*	BD-03AFFM-QL8EXX* BD-03AFFM-QR8EXX*	-
	10A (BB)	02,03,04	BB- 2 AMMM-QL8EXX*	BB- 2 AFFM-QL8EXX* BB- 2 AFFM-QR8EXX*	BB- 2 BFFA-QL8X ¹ X ² P**
Hybrid	10A+5A (BBD)	06	BBD-06AMMM-QL8FXX*	BBD-06AFFM-QL8FXX* BBD-06AFFM-QR8FXX*	-

Standard Size: 5/8"-27 UNS > In-line

<ul style="list-style-type: none"> Male Connector (Housing) Female Contacts Push Lock 			Overmolded with Cable 	Overmolded with Cable 	Field Installable   ASSP- 2 FAC 6 P/N refers to page 20-22
Group	Current Rating (Code)	Contacts 2	Male Connector (M) Female Contacts (F)	Female Connector (F) Male Contacts (M)	Female Connector (F) Male Contacts (M)
Data	5A (BD)	02,03,04,05,06	BD- 2 AMFM-QL8DXX*	BD- 2 AFMM-QL8DXX* BD- 2 AFMM-QR8DXX*	BD- 2 BFMA-QL8X ¹ X ² 0**
	10A (BB)	02,03,04	BB- 2 AMFM-QL8DXX*	BB- 2 AFMM-QL8DXX* BB- 2 AFMM-QR8DXX*	-
Power	5A (BD)	03	BD-03AMFM-QL8EXX*	BD-03AFMM-QL8EXX* BD-03AFMM-QR8EXX*	-
	10A (BB)	02,03	BB- 2 AMFM-QL8EXX*	BB- 2 AFMM-QL8EXX* BB- 2 AFMM-QR8EXX*	BB- 2 BFMA-QL8X ¹ X ² P**
Hybrid	10A+5A (BBD)	06	BBD-06AMFM-QL8FXX*	BBD-06AFMM-QL8FXX* BBD-06AFMM-QR8FXX*	-

*XX: Choose the cable length from 01-99 m

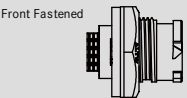
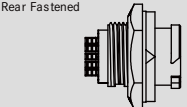
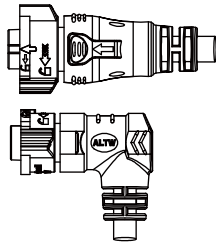
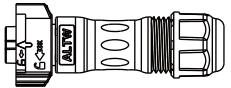

**X¹X²: Seal Size + Package Options
e.g. (SN) = Seal S + Connector without Contact

X¹: Seal Size
(S) 5.0~6.0mm
(M) 6.0~8.0mm
(L) 8.0~10.0mm

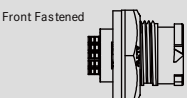
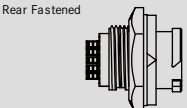
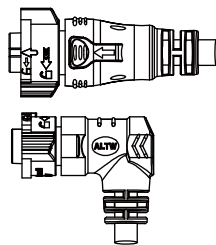
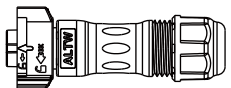

X²: Package Options
(N) Connector without Contact
(P) Connector with Contacts

[Contacts are available to be sold in bulk individually. For further information, please refer to page 20-22.]

Standard Size: 5/8"-27 UNS > Receptacle and Mating Pair

<ul style="list-style-type: none"> • Male Connector (Housing) • Male Contacts • Push Lock 			<p>Receptacle</p> <p>Front Fastened</p>  <p>Rear Fastened</p> 	<p>Overmolded with Cable</p> 	<p>Field Installable</p>   <p>ASSP- 2 FAC 6 P/N refers to page 20-22</p>
Group	Current Rating (Code)	Contacts 2	Male Connector (M) Male Contacts (M)	Female Connector (F) Female Contacts (F)	Female Connector (F) Female Contacts (F)
Data	5A (BD)	02,03,04,05,06,07,08	BD- 2 PMMS-QC8001 BD- 2 RMMS-QC8001	BD- 2 AFFM-QL8DXX* BD- 2 AFFM-QR8DXX*	BD- 2 BFFA-QL8X ¹ X ² 0**
	10A (BB)	02,03,04	BB- 2 PMMS-QC8001 BB- 2 RMMS-QC8001	BB- 2 AFFM-QL8DXX* BB- 2 AFFM-QR8DXX*	-
Power	5A (BD)	03	BD-03PMMS-QC800P BD-03RMMS-QC800P	BD-03AFFM-QL8EXX* BD-03AFFM-QR8EXX*	-
	10A (BB)	02,03,04	BB- 2 PMMS-QC800P BB- 2 RMMS-QC800P	BB- 2 AFFM-QL8EXX* BB- 2 AFFM-QR8EXX*	BB- 2 BFFA-QL8X ¹ X ² P**
Hybrid	10A+5A (BBD)	06	BBD-06PMMS-QC8001 BBD-06RMMS-QC8001	BBD-06AFFM-QL8FXX* BBD-06AFFM-QR8FXX*	-

Standard Size: 5/8"-27 UNS > Receptacle and Mating Pair

<ul style="list-style-type: none"> • Male Connector (Housing) • Male Contacts • Push Lock 			<p>Receptacle</p> <p>Front Fastened</p>  <p>Rear Fastened</p> 	<p>Overmolded with Cable</p> 	<p>Field Installable</p>   <p>ASSP- 2 FAC 6 P/N refers to page 20-22</p>
Group	Current Rating (Code)	Contacts 2	Male Connector (M) Female Contacts (F)	Female Connector (F) Male Contacts (M)	Female Connector (F) Male Contacts (M)
Data	5A (BD)	02,03,04,05,06	BD- 2 RMFS-QC8001 BD- 2 PMFS-QC8001	BD- 2 AFMM-QL8DXX* BD- 2 AFMM-QR8DXX*	BD- 2 BFMA-QL8X ¹ X ² 0**
	10A (BB)	02,03	BB- 2 RMFS-QC8001 BB- 2 PMFS-QC8001	BB- 2 AFMM-QL8DXX* BB- 2 AFMM-QR8DXX*	-
Power	5A (BD)	03	BD-03RMFS-QC800P BD-03PMFS-QC800P	BD-03AFMM-QL8EXX* BD-03AFMM-QR8EXX*	-
	10A (BB)	02,03	BB- 2 RMFS-QC800P BB- 2 PMFS-QC800P	BB- 2 AFMM-QL8EXX* BB- 2 AFMM-QR8EXX*	BB- 2 BFMA-QL8X ¹ X ² P**
Hybrid	10A+5A (BBD)	06	BBD-06RMFS-QC8001 BBD-06PMFS-QC8001	BBD-06AFMM-QL8FXX* BBD-06AFMM-QR8FXX*	-

*XX: Choose the cable length from 01-99 m

**X¹X²: Seal Size + Package Options
e.g. (SN) = Seal S + Connector without Contact

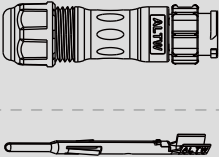
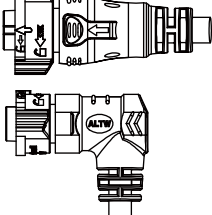
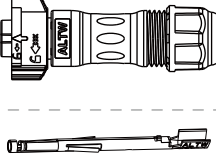
X¹: Seal Size
(S) 5.0-6.0mm
(M) 6.0-8.0mm
(L) 8.0-10.0mm

X²: Package Options
(N) Connector without Contact
(P) Connector with Contacts

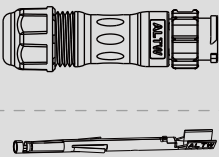
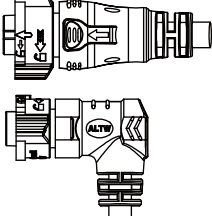
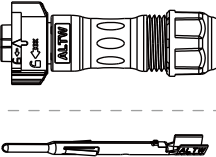
[Contacts are available to be sold in bulk individually. For further information, please refer to page 20-22.]

[Note] Design and specification are subject to change without notice.

Standard Size: 5/8"-27 UNS > In-Line

<ul style="list-style-type: none"> • Male Connector (Housing) • Male Contacts • Push Lock 			<p>Field Installable</p>  <p>ASSP- 2 FAC 6 P/N refers to page xxx</p>	<p>Overmolded with Cable</p> 	<p>Field Installable</p>  <p>ASSP- 2 FAC 6 P/N refers to page 20-22</p>
Group	Current Rating (Code)	Contacts 2	Male Connector (M) Male Contacts (M)	Female Connector (F) Female Contacts (F)	Female Connector (F) Female Contacts (F)
Data	5A (BD)	02,03,04,05,06,07,08	BD- 2 BMMA-QL8X ¹ X ² 0**	BD- 2 AFFM-QL8DXX* BD- 2 AFFM-QR8DXX*	BD- 2 BFFA-QL8X ¹ X ² 0**
Power	10A (BB)	02,03,04	BD- 2 BMMA-QL8X ¹ X ² P**	BB- 2 AFFM-QL8DXX* BB- 2 AFFM-QR8DXX*	BD- 2 BFFA-QL8X ¹ X ² P**

Standard Size: 5/8"-27 UNS > In-Line

			<p>Field Installable</p>  <p>ASSP- 2 FAC 6 P/N refers to page xxx</p>	<p>Overmolded with Cable</p> 	<p>Field Installable</p>  <p>ASSP- 2 FAC 6 P/N refers to page 20-22</p>
Group	Current Rating (Code)	Contacts 2	Male Connector (M) Female Contacts (F)	Female Connector (F) Male Contacts (M)	Female Connector (F) Male Contacts (M)
Data	5A (BD)	02,03,04,05,06	BD- 2 BMFA-QL8X ¹ X ² 0**	BD- 2 AFMM-QL8DXX* BD- 2 AFMM-QR8DXX*	BD- 2 BFMA-QL8X ¹ X ² 0**
Power	10A (BB)	02,03	BB- 2 BMFA-QL8X ¹ X ² P**	BB- 2 AFMM-QL8DXX* BB- 2 AFMM-QR8DXX*	BB- 2 BFMA-QL8X ¹ X ² P**

*XX: Choose the cable length from 01-99 m

**X¹X²: Seal Size + Package Options
e.g. (SN) = Seal S + Connector without Contact

X¹: Seal Size
(S) 5.0~6.0mm
(M) 6.0~8.0mm
(L) 8.0~10.0mm

X²: Package Options
(N) Connector without Contact
(P) Connector with Contacts

[Contacts are available to be sold in bulk individually. For further information, please refer to page 20-22.]

▾ Middle Size 13/16"-28UNS > Receptacle and Mating Pair

<ul style="list-style-type: none"> • Male Connector (Housing) • Male Contacts • Push Lock 			<p>Receptacle</p>	<p>Overmolded with Cable</p>	<p>Field Installable</p> <p>ASSP- 2 FAC 6 P/N refers to page 20-22</p>
Group	Current Rating (Code)	Contacts 2	Male Connector (M) Male Contacts (M)	Female Connector (F) Female Contacts (F)	Female Connector (F) Female Contacts (F)
Data	5A (CD)	08,09,10,12	CD- 2 PMMS-QC8001	CD- 2 AFFM-QL8DXX* CD- 2 AFFM-QR8DXX*	CD- 2 BFFA-QL8X ¹ X ² 0**
	10A (CB)	04,05,06	CB- 2 PMMS-QC8001	CB- 2 AFFM-QL8DXX*	CB- 2 BFFA-QL8X ¹ X ² 0**
Power	20A (CC)	02,03	CC- 2 PMMS-QC800P	CC- 2 AFFM-QL8EXX* CC- 2 AFFM-QR8EXX*	CC- 2 BFFA-QL8X ¹ X ² P**
Hybrid	10A+5A (CBD)	08	CBD-08PMMS-QC8001	CBD-08AFFM-QL8FXX* CBD-08AFFM-QR8FXX*	-

▾ Middle Size 13/16"-28UNS > Receptacle and Mating Pair

<ul style="list-style-type: none"> • Male Connector (Housing) • Male Contacts • Push Lock 			<p>Receptacle</p>	<p>Overmolded with Cable</p>	<p>Field Installable</p> <p>ASSP- 2 FAC 6 P/N refers to page 20-22</p>
Group	Current Rating (Code)	Contacts 2	Male Connector (M) Female Contacts (F)	Female Connector (F) Male Contacts (M)	Female Connector (F) Male Contacts (M)
Data	5A (CD)	07,08,09	CD- 2 PMFS-QC8001	CD- 2 AFMM-QL8DXX* CD- 2 AFMM-QR8DXX*	CD- 2 BFMA-QL8X ¹ X ² 0**
	10A (CB)	04,05	CB- 2 PMFS-QC8001	CB- 2 AFMM-QL8DXX* CB- 2 AFMM-QL8DXX*	CB- 2 BFMA-QL8X ¹ X ² 0**
Power	20A (CC)	02,03	CC- 2 PMFS-QC800P	CC- 2 AFMM-QL8EXX* CC- 2 AFMM-QR8EXX*	CC- 2 BFMA-QL8X ¹ X ² P**
Hybrid	10A+5A (CBD)	08	CBD-08PMFS-QC8001	CBD-08AFMM-QL8FXX* CBD-08AFMM-QR8FXX*	-

*XX: Choose the cable length from 01-99 m

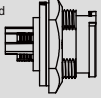
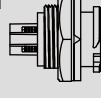
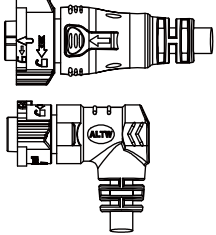
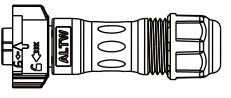

**X¹X²: Seal Size + Package Options
e.g. (SN) = Seal S + Connector without Contact

X¹: Seal Size
(S) 6.0-8.0mm (N) Connector without Contact
(M) 8.0-10.0mm (P) Connector with Contacts
(L) 10.0-12.0mm

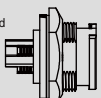
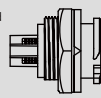
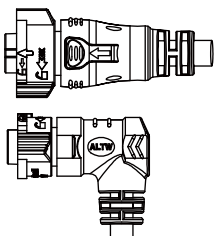
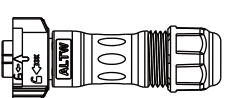

[Contacts are available to be sold in bulk individually. For further information, please refer to page 20-22.]

[Note] Design and specification are subject to change without notice.

▾ Middle Size 13/16"-28UNS > Receptacle and Mating Pair

<ul style="list-style-type: none"> • Male Connector (Housing) • Male Contacts • Push Lock 			<p>Receptacle</p> <p>Front Fastened</p>  <p>Rear Fastened</p> 	<p>Overmolded with Cable</p> 	<p>Field Installable</p>   <p>ASSP- 2 FAC 6 P/N refers to page 20-22</p>
Group	Current Rating (Code)	Contacts 2	Male Connector (M) Male Contacts (M)	Female Connector (F) Female Contacts (F)	Female Connector (F) Female Contacts (F)
Data	5A (CD)	08,09,10,12	CD- 2 PMMS-QC8001 CD- 2 RMMS-QC8001	CD- 2 AFFM-QL8DXX* CD- 2 AFFM-QR8DXX*	CD- 2 BFFA-QL8X ¹ X ² 0**
	10A (CB)	04,05,06	CB- 2 PMMS-QC8001 CB- 2 RMMS-QC8001	CB- 2 AFFM-QL8DXX*	CB- 2 BFFA-QL8X ¹ X ² 0**
Power	20A (CC)	02,03	CC- 2 PMMS-QC800P CC- 2 RMMS-QC800P	CC- 2 AFFM-QL8EXX* CC- 2 AFFM-QR8EXX*	CC- 2 BFFA-QL8X ¹ X ² P**
Hybrid	10A+5A (CBD)	08	CBD-08PMMS-QC8001 CBD-08RMMS-QC8001	CBD-08AFFM-QL8FXX* CBD-08AFFM-QR8FXX*	-

▾ Middle Size 13/16"-28UNS > Receptacle and Mating Pair

<ul style="list-style-type: none"> • Male Connector (Housing) • Female Contacts • Push Lock 			<p>Receptacle</p> <p>Front Fastened</p>  <p>Rear Fastened</p> 	<p>Overmolded with Cable</p> 	<p>Field Installable</p>   <p>ASSP- 2 FAC 6 P/N refers to page 20-22</p>
Group	Current Rating (Code)	Contacts 2	Male Connector (M) Female Contacts (F)	Female Connector (F) Male Contacts (M)	Female Connector (F) Male Contacts (M)
Data	5A (CD)	08,09,10,12	CD- 2 PMFS-QC8001 CD- 2 RMFS-QC8001	CD- 2 AFMM-QL8DXX* CD- 2 AFMM-QR8DXX*	CD- 2 BFMA-QL8X ¹ X ² 0**
	10A (CB)	04,05,06	CB- 2 PMFS-QC8001 CB- 2 RMFS-QC8001	CB- 2 AFMM-QL8DXX*	CB- 2 BFMA-QL8X ¹ X ² 0**
Power	20A (CC)	02,03	CC- 2 PMFS-QC800P CC- 2 RMFS-QC800P	CC- 2 AFMM-QL8EXX* CC- 2 AFMM-QR8EXX*	CC- 2 BFMA-QL8X ¹ X ² P**
Hybrid	10A+5A (CBD)	08	CBD-08PMFS-QC8001 CBD-08RMFS-QC8001	CBD-08AFMM-QL8FXX* CBD-08AFMM-QR8FXX*	-

*XX: Choose the cable length from 01-99 m

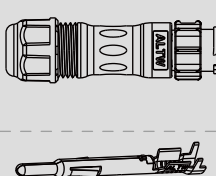
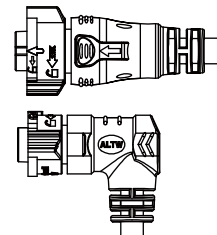
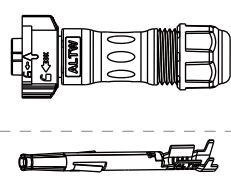
**X¹X²: Seal Size + Package Options
e.g. (SN) = Seal S + Connector without Contact

X¹: Seal Size
(S) 6.0-8.0mm
(M) 8.0-10.0mm
(L) 10.0-12.0mm

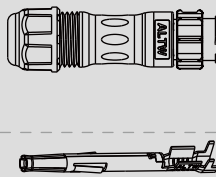
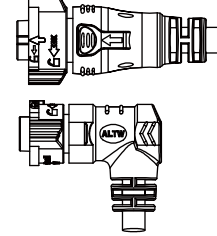
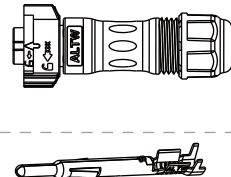
X²: Package Options
(N) Connector without Contact
(P) Connector with Contacts

[Contacts are available to be sold in bulk individually. For further information, please refer to page 20-22.]

▾ Middle Size 13/16"-28UNS > In-Line

<ul style="list-style-type: none"> • Male Connector (Housing) • Male Contacts • Push Lock 			<p>Field Installable -----></p>  <p>ASSP- 2 FAC 6 P/N refers to page xxx</p>	<p>-----> Overmolded with Cable</p> 	<p>-----> Field Installable</p>  <p>ASSP- 2 FAC 6 P/N refers to page 20-22</p>
Group	Current Rating (Code)	Contacts 2	Male Connector (M) Male Contacts (M)	Female Connector (F) Female Contacts (F)	Female Connector (F) Female Contacts (F)
Data	5A (CD)	08,09,10,12	CD- 2 BMMA-QL8X ¹ X ² 0**	CD- 2 AFFM-QL8DXX* CD- 2 AFFM-QR8DXX*	CD- 2 BFFA-QL8X ¹ X ² 0**
	10A (CB)	04,05,06	CB- 2 BMMA-QL8X ¹ X ² 0**	CB- 2 AFFM-QL8DXX*	CB- 2 BFFA-QL8X ¹ X ² 0**
Power	20A (CC)	02,03	CC- 2 BMMA-QL8X ¹ X ² P**	CC- 2 AFFM-QL8EXX* CC- 2 AFFM-QR8EXX*	CC- 2 BFFA-QL8X ¹ X ² P**

▾ Middle Size 13/16"-28UNS > In-Line

<ul style="list-style-type: none"> • Male Connector (Housing) • Male Contacts • Push Lock 			<p>Field Installable -----></p>  <p>ASSP- 2 FAC 6 P/N refers to page xxx</p>	<p>-----> Overmolded with Cable</p> 	<p>-----> Field Installable</p>  <p>ASSP- 2 FAC 6 P/N refers to page 20-22</p>
Group	Current Rating (Code)	Contacts 2	Male Connector (M) Female Contacts (F)	Female Connector (F) Male Contacts (M)	Female Connector (F) Male Contacts (M)
Data	5A (CD)	07,08,09	CD- 2 BMFA-QL8X ¹ X ² 0**	CD- 2 AFMM-QL8DXX* CD- 2 AFMM-QR8DXX*	CD- 2 BFMA-QL8X ¹ X ² 0**
	10A (CB)	04,05	CB- 2 BMFA-QL8X ¹ X ² 0**	CD- 2 AFMM-QL8DXX* CD- 2 AFMM-QR8DXX*	CB- 2 BFMA-QL8X ¹ X ² 0**
Power	20A (CC)	02,03	CC- 2 BMFA-QL8X ¹ X ² P**	CC- 2 AFMM-QL8EXX* CC- 2 AFMM-QR8EXX*	CC- 2 BFMA-QL8X ¹ X ² P**

**XX: Choose the cable length from 01-99 m

**X¹X²: Seal Size + Package Options
e.g. (SN) = Seal S + Connector without Contact

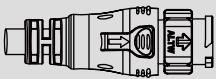
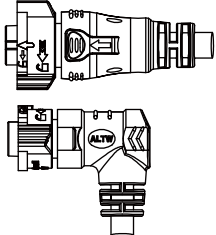
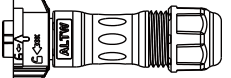

X¹: Seal Size
(S) 6.0-8.0mm
(M) 8.0-10.0mm
(L) 10.0-12.0mm

X²: Package Options
(N) Connector without Contact
(P) Connector with Contacts

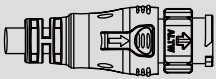
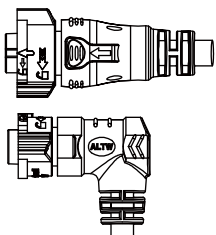
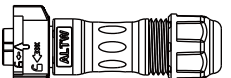

[Contacts are available to be sold in bulk individually. For further information, please refer to page 20-22.]

[Note] Design and specification are subject to change without notice.

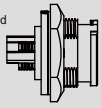
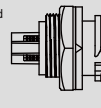
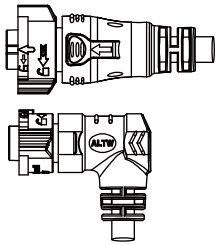
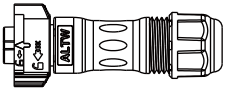

∟ Large Size 1"-20UNEF > In-Line

<ul style="list-style-type: none"> • Male Connector (Housing) • Male Contacts • Push Lock 			Overmolded with Cable 	Overmolded with Cable 	Field Installable   ASSP-2 FAC 6 P/N refers to page 20-22
Group	Current Rating (Code)	Contacts 2	Male Connector (M) Male Contacts (M)	Female Connector (F) Female Contacts (F)	Female Connector (F) Female Contacts (F)
Data	5A (DD)	14, 18	DD- 2 AMMM-QL8DXX*	DD- 2 AFFM-QL8DXX* DD- 2 AFFM-QL8DXX*	DD- 2 BFFA-QL8X ¹ X ² 0**
Power	20A (DC)	02,03,05	DC- 2 AMMM-QL8EXX*	DC- 2 AFFM-QL8EXX* DC- 2 AFFM-QL8EXX*	DC- 2 BFFA-QL8X ¹ X ² P**
Hybrid	20A+5A (DCD)	12	DCD- 2 AMMM-QL8FXX*	DCD- 2 AFFM-QL8FXX* DCD- 2 AFFM-QL8FXX*	-

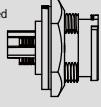
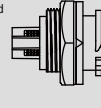
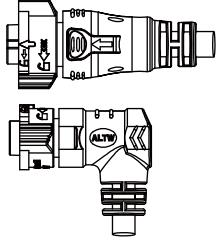


∟ Large Size 1"-20UNEF > In-Line

<ul style="list-style-type: none"> • Male Connector (Housing) • Female Contacts • Push Lock 			Overmolded with Cable 	Overmolded with Cable 	Field Installable   ASSP-2 FAC 6 P/N refers to page 20-22
Group	Current Rating (Code)	Contacts 2	Male Connector (M) Female Contacts (F)	Female Connector (F) Male Contacts (M)	Female Connector (F) Male Contacts (M)
Data	5A (DD)	12, 14, 18	DD- 2 AMFM-QL8DXX*	DD- 2 AFMM-QL8DXX* DD- 2 AFMM-QL8DXX*	DD- 2 BFMA-QL8X ¹ X ² 0**
Power	20A (DC)	02,03,05	DC- 2 AMFM-QL8EXX*	DC- 2 AFMM-QL8EXX* DC- 2 AFMM-QL8EXX*	DC- 2 BFMA-QL8X ¹ X ² P**
Hybrid	20A+5A (DCD)	12	DCD- 2 AMFM-QL8FXX*	DCD- 2 AFMM-QL8FXX* DCD- 2 AFMM-QL8FXX*	-

Large Size 1"-20UNEF > Receptacle and Mating Pair

<ul style="list-style-type: none"> • Male Connector (Housing) • Male Contacts • Push Lock 			<p>Receptacle</p> <p>Front Fastened</p>  <p>Rear Fastened</p> 	<p>Overmolded with Cable</p> 	<p>Field Installable</p>   <p>ASSP- 2 FAC 6 P/N refers to page 20-22</p>
Group	Current Rating (Code)	Contacts 2	Male Connector (M) Male Contacts (M)	Female Connector (F) Female Contacts (F)	Female Connector (F) Female Contacts (F)
Data	5A (CD)	14, 18	DD- 2 PMMS-QC8001 DD- 2 RMMS-QC8001	DD- 2 AFFM-QL8DXX* DD- 2 AFFM-QR8DXX*	DD- 2 BFFA-QL8X ¹ X ² 0**
Power	10A (DC)	02,03,05	DC- 2 PMMS-QC800P DC- 2 RMMS-QC800P	DC- 2 AFFM-QL8DXX*	DC- 2 BFFA-QL8X ¹ X ² P**
Hybrid	20A+5A (DCD)	12	DCD- 2 PMMS-QC8001 DCD- 2 RMMS-QC8001	DCD- 2 AFFM-QL8EXX* DCD- 2 AFFM-QR8EXX*	-

Large Size 1"-20UNEF > Receptacle and Mating Pair

<ul style="list-style-type: none"> • Male Connector (Housing) • Female Contacts • Push Lock 			<p>Receptacle</p> <p>Front Fastened</p>  <p>Rear Fastened</p> 	<p>Overmolded with Cable</p> 	<p>Field Installable</p>   <p>ASSP- 2 FAC 6 P/N refers to page 20-22</p>
Group	Current Rating (Code)	Contacts 2	Male Connector (M) Female Contacts (F)	Female Connector (F) Male Contacts (M)	Female Connector (F) Male Contacts (M)
Data	5A (CD)	12, 14, 18	DD- 2 PMFS-QC8001 DD- 2 RMFS-QC8001	DD- 2 AFMM-QL8DXX* DD- 2 AFMM-QR8DXX*	DD- 2 BFMA-QL8X ¹ X ² 0**
Power	10A (DC)	02,03,05	DC- 2 PMFS-QC800P DC- 2 RMFS-QC800P	DC- 2 AFMM-QL8DXX*	DC- 2 BFMA-QL8X ¹ X ² P**
Hybrid	20A+5A (DCD)	12	DCD- 2 PMFS-QC8001 DCD- 2 RMFS-QC8001	DCD- 2 AFMM-QL8EXX* DCD- 2 AFMM-QR8EXX*	-

*XX: Choose the cable length from 01-99 m

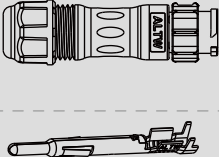
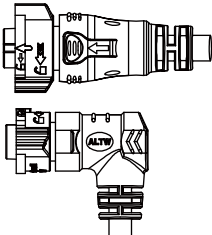
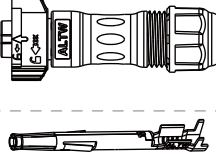
**X¹X²: Seal Size + Package Options
e.g. (SN) = Seal S + Connector without Contact

X¹: Seal Size (S) 8.0-10.0mm (M) 10.0-12.0mm (L) 12.0-14.0mm
X²: Package Options (N) Connector without Contact (P) Connector with Contacts

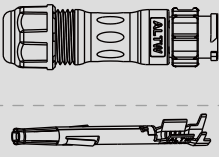
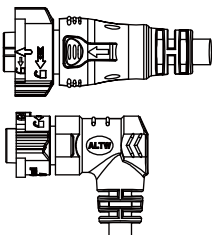
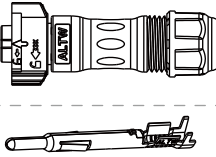
[Contacts are available to be sold in bulk individually. For further information, please refer to page 20-22.]

[Note] Design and specification are subject to change without notice.

∟ Large Size 1"-20UNEF > In-Line

<ul style="list-style-type: none"> • Male Connector (Housing) • Male Contacts • Push Lock 			<p>Field Installable</p>  <p>ASSP- 2 FAC 6 P/N refers to page xxx</p>	<p>Overmolded with Cable</p> 	<p>Field Installable</p>  <p>ASSP- 2 FAC 6 P/N refers to page 20-22</p>
Group	Current Rating (Code)	Contacts 2	Male Connector (M) Male Contacts (M)	Female Connector (F) Female Contacts (F)	Female Connector (F) Female Contacts (F)
Data	5A (DD)	14, 18	DD- 2 BMMA-QL8X ¹ X ² 0**	DD- 2 AFFM-QL8DXX* DD- 2 AFFM-QR8DXX*	DD- 2 BFFA-QL8X ¹ X ² 0**
Power	20A (DC)	02,03,05	DC- 2 BMMA-QL8X ¹ X ² P**	DC- 2 AFFM-QL8DXX* DC- 2 AFFM-QR8DXX*	DC- 2 BFFA-QL8X ¹ X ² P**

∟ Large Size 1"-20UNEF > In-Line

<ul style="list-style-type: none"> • Male Connector (Housing) • Female Contacts • Push Lock 			<p>Field Installable</p>  <p>ASSP- 2 FAC 6 P/N refers to page xxx</p>	<p>Overmolded with Cable</p> 	<p>Field Installable</p>  <p>ASSP- 2 FAC 6 P/N refers to page 20-22</p>
Group	Current Rating (Code)	Contacts 2	Male Connector (M) Female Contacts (F)	Female Connector (F) Male Contacts (M)	Female Connector (F) Male Contacts (M)
Data	5A (DD)	12, 14, 18	DD- 2 BMFA-QL8X ¹ X ² 0**	DD- 2 AFMM-QL8DXX* DD- 2 AFMM-QR8DXX*	DD- 2 BFMA-QL8X ¹ X ² 0**
Power	10A (DC)	02,03,05	DC- 2 BMFA-QL8X ¹ X ² P**	DC- 2 AFMM-QL8DXX* DC- 2 AFMM-QR8DXX*	DC- 2 BFMA-QL8X ¹ X ² P**

*XX: Choose the cable length from 01-99 m


**X¹X²: Seal Size + Package Options
e.g. (SN) = Seal S + Connector without Contact

X¹: Seal Size X²: Package Options
(S) 8.0-10.0mm (N) Connector without Contact
(M) 10.0-12.0mm (P) Connector with Contacts
(L) 12.0-14.0mm

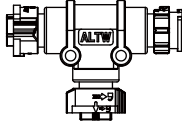
[Contacts are available to be sold in bulk individually. For further information, please refer to page 20-22.]

∨ I-Adaptor, T-Adaptor & T-Cable

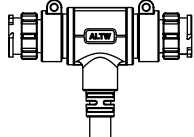
Customization - Upon Request



I-Adaptor



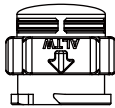
T-Adaptor




T-Cable

∨ Waterproof Cap

For female connector



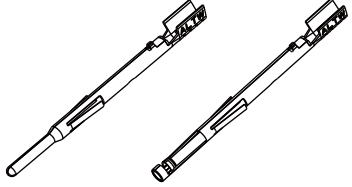
For male connector



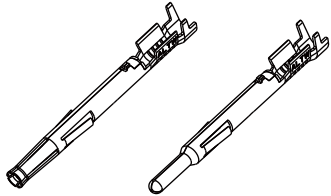
- 3 More to choose: None (MA) / With Rubber Lead (PC)
- 4 More to choose: None (MA) / With Fish Line (CD)
- 5 More to choose: None (A) / With Fish Line (D)

Size	Mating Pair	Mating Style	Mating Pair (Gender)	P/N
Standard Size 5/8"-27 UNS	Receptacle	Push Lock	Male	CAP-WABMQ 3 1
	Overmolded with cable	Push Lock	Female	CAP-WABFQ 4 1
			Male	CAP-WABMQM 5 1
Middle Size 13/16"-28 UNS	Receptacle	Push Lock	Male	CAP-WACMQ 3 1 CAP-WACMQ 3 2
	Overmolded with cable	Push Lock	Female	CAP-WACFQ 4 1
			Male	CAP-WACMQM 5 1
				CAP-WACMQM 5 2
Large Size 1/20" UNEF	Receptacle	Push Lock	Male	CAP-WADMQ 3 1 CAP-WADMQ 3 2
	Overmolded with cable	Push Lock	Female	CAP-WADFQ 4 1
			Male	CAP-WADMQM 5 1 CAP-WADMQM 5 2

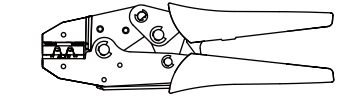
∨ Contacts & Crimp Tool



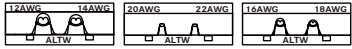
5A



10A/20A



Crimp Tool



Current Rating 2	Contact Gender	P/N	Packages 6	Crimp Tool
5A 05	Male	ASSP-05MAC 6	(SA) 50pcs / Bulk (SB) 100pcs / Bulk (SC) 500pcs / Bulk (SD) 1000pcs / Bulk (RE) 3000pcs / Bulk	ASST-C-05-W-A (20AWG ~ 22AWG)
	Female	ASSP-05FAC 6		ASST-C-10-W-B (16AWG ~ 18AWG)
10A 10	Male	ASSP-10MAC 6		ASST-C-20-W-C (12AWG ~ 14AWG)
	Female	ASSP-10MAC 6		
20A 20	Male	ASSP-20MAC 6		
	Female	ASSP-20FAC 6		

[Note] Design and specification are subject to change without notice.

Amphenol LTW Technology Co., Ltd.

5F-3, No.51, Sec.4, Zhongyang Rd., Tucheng Dist., New Taipei City 236, Taiwan
Telephone: +886-2-77416888 Fax: +886-2-77416999
www.amphenol.tw

Kunshan Factory

No. 62, DaTong Road, Development Zone, Kunshan City, JiangSu Province, 215333 China
Telephone: +86-512-5761-0501
Fax: : +86-512-5761-0515

For further information, please contact :

Sales & Marketing Department | Email : sales@ltw-tech.com

X-ON Electronics

Largest Supplier of Electrical and Electronic Components

Click to view similar products for [Circular MIL Spec Tools, Hardware & Accessories](#) *category:*

Click to view products by [Amphenol](#) *manufacturer:*

Other Similar products are found below :

[0113-201-2025](#) [600-079-06](#) [600-146-06](#) [M10-101983-183](#) [M10-454396-008](#) [602GB18808](#) [CS3102A-22-14PW](#) [M2887615-CD](#) [627-009](#)
[M38999/9-19B](#) [630A007NF083A](#) [630B007M051A](#) [630BJ003NF032H](#) [637-149NF04B](#) [M39029/29-215](#) [6408-203V-09273](#) [6426-201-11343](#)
[650FS002NF16](#) [660-008NF14S7-01](#) [660-009M22H8-03](#) [660-013NF19U6-210](#) [660-015M10S6-17](#) [660-015NF10S5-01](#) [660-015NF14R3.5-01](#)
[660-023NF19H6-19](#) [660-024NF11S12-01](#) [660-024NF11S3-01](#) [660-024NF17S4-109](#) [660-050XM17F4-01](#) [660-068NF25R6-30G](#) [660-](#)
[070M23S8-04](#) [660-073MTCH9-20](#) [M83723/61-18W](#) [M83723/61-218R](#) [M83723/61-224W](#) [667-084-23C](#) [667-084-35C](#) [667-224NF16](#) [687-](#)
[697NF-1](#) [M85049/94-10-A](#) [M85049/96-7-A](#) [M855282-10A01A](#) [M85528/2-10B](#) [M855282-18A01A](#) [M85528/2-22A01A](#) [M85528/2-22AA](#)
[710HS460NF2508](#) [780-001-22G12-SK](#) [780-002-19G12-SK](#) [780-002-20G12SK](#)