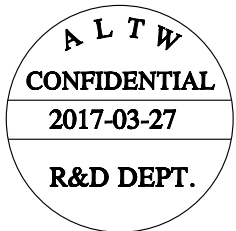
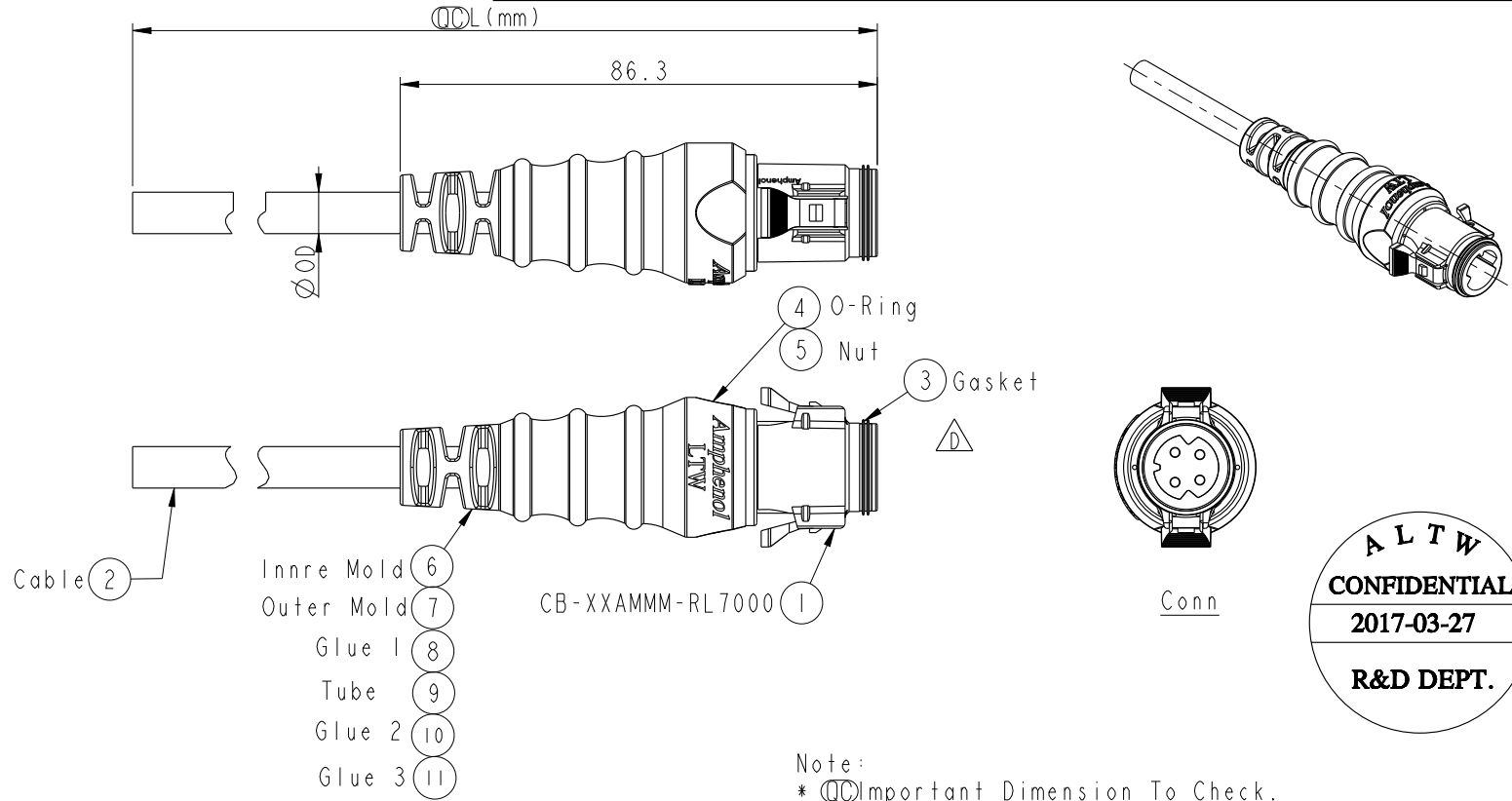


THIS DOCUMENT IS SUBJECT TO CHANGE WITHOUT NOTICE. IT IS CONFIDENTIAL AND A PROPERTY OF Amphenol LTW. DISCLOSURE TO THIRD PARTY HAS TO BE AUTHORIZED BY Amphenol LTW.

REV.	ECN NO.	DATE	SIGN	DESCRIPTION
B	LEN1580282-83 LE31580193	2015/08/12	Lu Di	Change To Common Drawing
C	LEN1680342 LEN1680356-57	2016/08/06	Mafei	Updated The Pin Out Color.
D	LE31740041~43	2017/03/27	Mafei	Updated The Connector.



Note:

- * (QCCL) Important Dimension To Check.
- * Waterproof Rate: IP67
- * Housing: M-PPE , Black.
- * Male Pin: Copper Alloy, Gold Plated.
- * Gasket: Silicone, Gray.
- * Cable: UL2464 16#, PVC Jacket, UV Resistant, Black.
- * Cable Length Tolerance: 01M: ±40mm
02M~05M: ±60mm
06M~10M: ±100mm
11M~30M: ±200mm
31M~99M: ±500mm

* Prohibiting the use of place in oils

CB-02AMMM-RL7AXX	∅7.8
CB-03AMMM-RL7AXX	∅7.5
CB-04AMMM-RL7AXX	∅7.5
Part No.	Cable OD

UNIT:mm		
TOLERANCE	±0.5	

TITLE MIDDLE CABLE RBL M CONN M PIN			
SCALE 3:4	SIZE A4	SHEET 1 OF 2	
REV. D	WC-REV. A.3	QCCL: Inspection item	

Amphenol LTW
安費諾亮泰企業股份有限公司

ITEM NO	DRAWN BY Mafei	DATE 2017-03-27
DWG NO CB-XXAMMM-RL7AXX	CHECKED BY Jerry	DATE 2017-03-27
CUSTOMER ALTW	APPROVED BY Max	DATE 2017-03-27

THIS DOCUMENT IS SUBJECT TO CHANGE WITHOUT NOTICE. IT IS CONFIDENTIAL AND A PROPERTY OF Amphenol LTW. DISCLOSURE TO THIRD PARTY HAS TO BE AUTHORIZED BY Amphenol LTW.



CB-XXAMMM-RL7A XX

Middle Size Current Rating 10A

XX:No. Of Pin (Pin 數)

A:Cable With S/R (線端帶網尾)

M:Male Connector (公座)

M:Male Pin (公Pin)

M:Molding Type (射出成型)

XX:01~99Meter

01:01Meter

02:02Meter

...

...

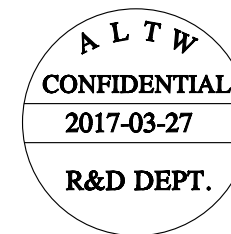
99:99Meter

A:UL 2464 Cable

7:IP67(防水等級 67)

L: Straight (180°)

R: Snap In With Latch (彈臂卡合式)



Pin Out	4	--	4	Green 綠	4	Orange 橙
	3	Red 紅	3	White 白	3	Red 紅
	2	--	2	--	2	Brown 棕
	1	Black 黑	1	Black 黑	1	Black 黑
Pin Assignments Front View						
	2Pin		3Pin		4Pin	

UNIT:mm	TITLE MIDDLE CABLE RBL M CONN M PIN			Amphenol LTW 安費諾亮泰企業股份有限公司	ITEM NO	DRAWN BY Mafei	DATE 2017-03-27		
	TOLERANCE ±0.5		SCALE 3:4		SIZE A4	SHEET 2 OF 2	DWG NO CB-XXAMMM-RL7AXX	CHECKED BY Jerry	DATE 2017-03-27
	REV. D	WC-REV. A.3	QC: Inspection item		CUSTOMER ALTW	APPROVED BY Max	DATE 2017-03-27		

X-ON Electronics

Largest Supplier of Electrical and Electronic Components

Click to view similar products for [Sensor Cables / Actuator Cables](#) category:

Click to view products by [Amphenol](#) manufacturer:

Other Similar products are found below :

[60963](#) [60964](#) [M83513/19-F01CP](#) [703000D02F2002](#) [703001D02F0602](#) [703001D02F300](#) [704000D02F120](#) [773032K02F030](#) [802027107404-1](#)
[802027213811-1](#) [804001A09M150](#) [805001A09M0502](#) [84914-0235](#) [84914-0237](#) [885030A09M020](#) [8R4J30E03C3003](#) [1200651332](#)
[1200651713](#) [1200660844](#) [1200660845](#) [1200661173](#) [1200680071](#) [1200720053](#) [1200720081](#) [1200720099](#) [1200720217](#) [1200800231](#)
[1200860125](#) [1200870123](#) [1200980102](#) [1200650267](#) [1200650298](#) [1200660183](#) [1200660782](#) [1200660849](#) [1200661295](#) [1200661297](#)
[1200661342](#) [1200661343](#) [1200670080](#) [1200670220](#) [1200680331](#) [1200720252](#) [1200730184](#) [1200860344](#) [1200870359](#) [1200870643](#)
[1200980008](#) [1200980031](#) [1210502211](#)