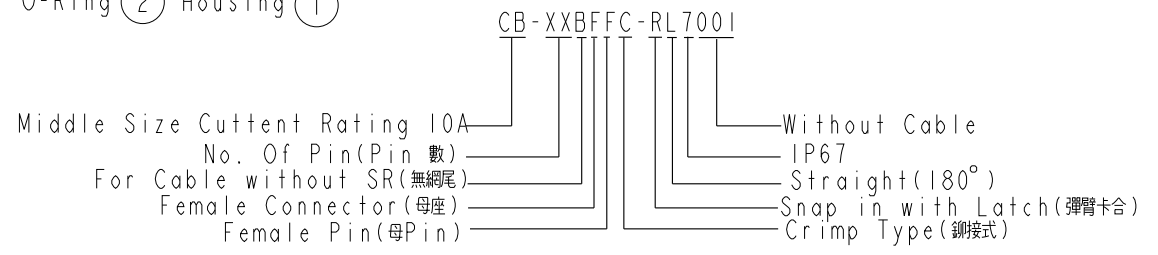
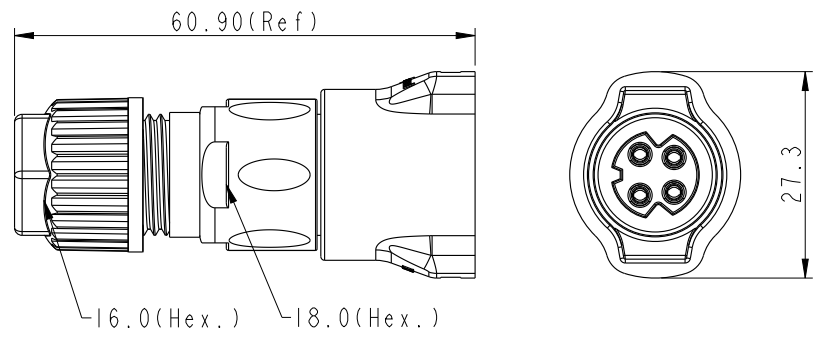
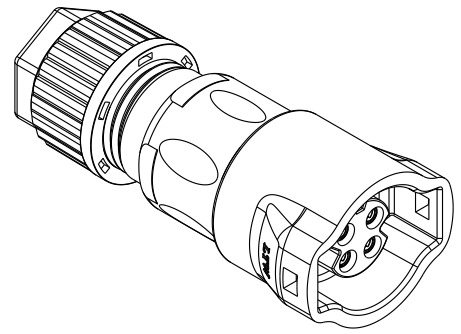
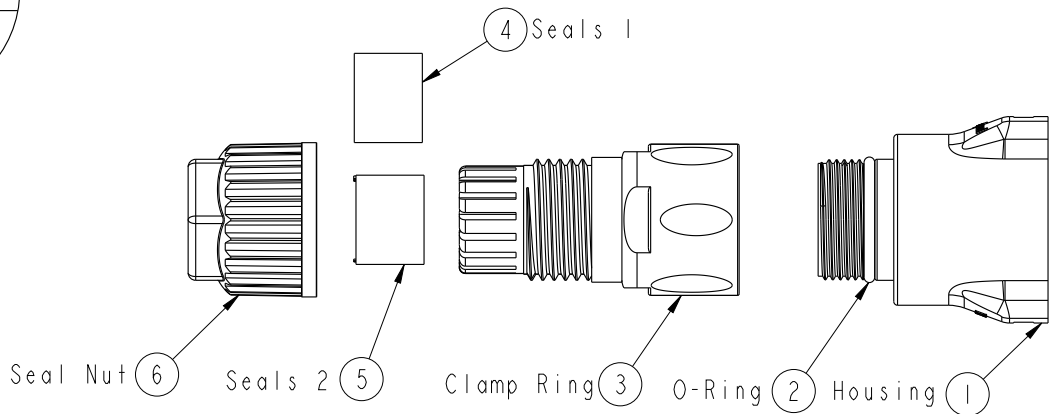
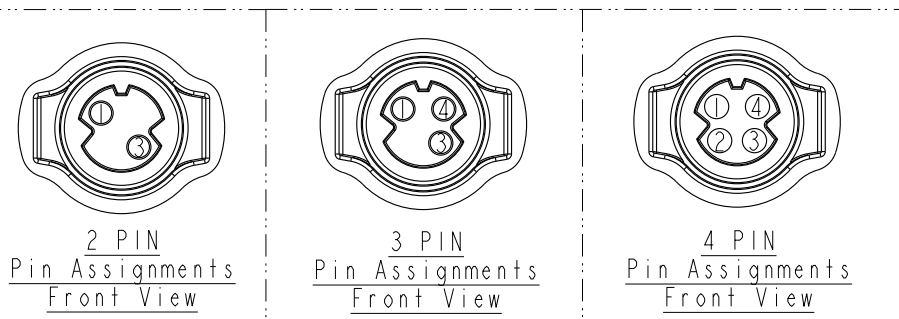


ALTW
CONFIDENTIAL
2015-07-13
R&D DEPT.

REV.	ECN NO.	DATE	SIGN	DESCRIPTION
A	Initial Release	2015/07/13	Mafei	Change Rev.01 To Rev.A



- Note:
- * \varnothing Important Dimension To Check.
 - * Waterproof Rate: IP67 (Mating)
 - * Housing: M-PPE, Black, UL94 V-0, UL746C f1
 - * Conductor Current Rating: Max.10A Depends On Wire
 - * O-Ring: Silicone, Gray, UL94 V-0
 - * Seals: Silicone, Gray, UL94 V-0
 - * Clamp Ring: Nylon, Black, UL94 V-0, UL746C f1
 - * Sealing Nut: Nylon, Black, UL94 V-0, UL746C f1
 - * Seal 1 For Cable OD: \varnothing 4.5mm~ \varnothing 7.5mm
 - * Seal 2 For Cable OD: \varnothing 7.5mm~ \varnothing 9.5mm
 - * Prohibiting the use of place in oils.
 - * Clamp Ring Recommended Tightening Torque: 4~7 Kgf.cm(0.4~0.7 N.m)
 - * Sealing Nut Recommended Tightening Torque: 5~10 Kgf.cm(0.5~1 N.m)



UNIT:mm		TITLE	ASSY RBL 10A F CONN F PIN	
TOLERANCE ± 0.5		SCALE	1:1	SIZE A4
REV.	A	WC-REV.	A.2	SHEET 1 OF 2
		\varnothing Inspection item		

Amphenol LTW
安費諾亮泰企業股份有限公司

ITEM NO	DRAWN BY	DATE
DWG NO	CHECKED BY	DATE
CUSTOMER	APPROVED BY	DATE

THIS DOCUMENT IS SUBJECT TO CHANGE WITHOUT NOTICE. IT IS CONFIDENTIAL AND A PROPERTY OF Amphenol LTW. DISCLOSURE TO THIRD PARTY HAS TO BE AUTHORIZED BY Amphenol LTW.

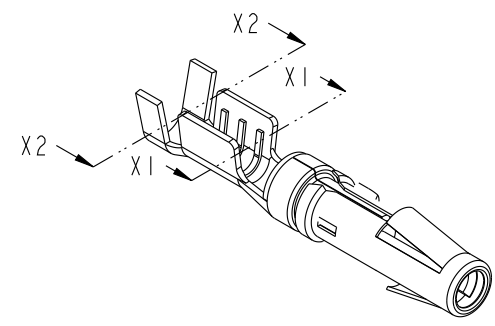
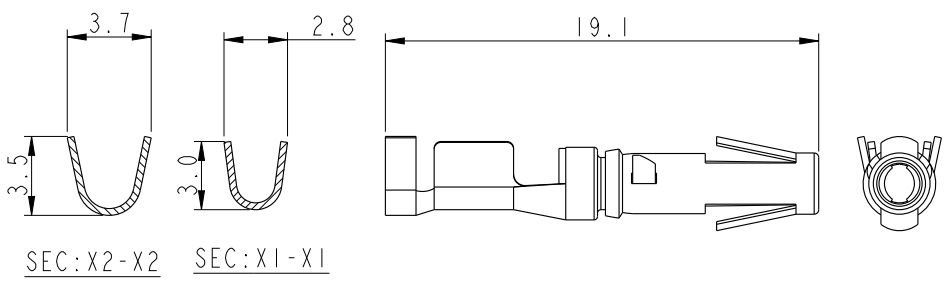
THIS DOCUMENT IS SUBJECT TO CHANGE WITHOUT NOTICE. IT IS CONFIDENTIAL AND A PROPERTY OF AMPHENOL LTW. DISCLOSURE TO THIRD PARTY HAS TO BE AUTHORIZED BY AMPHENOL LTW.

REV.	ECN NO.	DATE	SIGN	DESCRIPTION

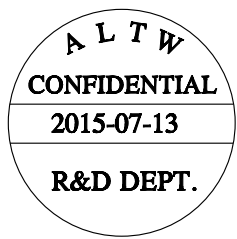
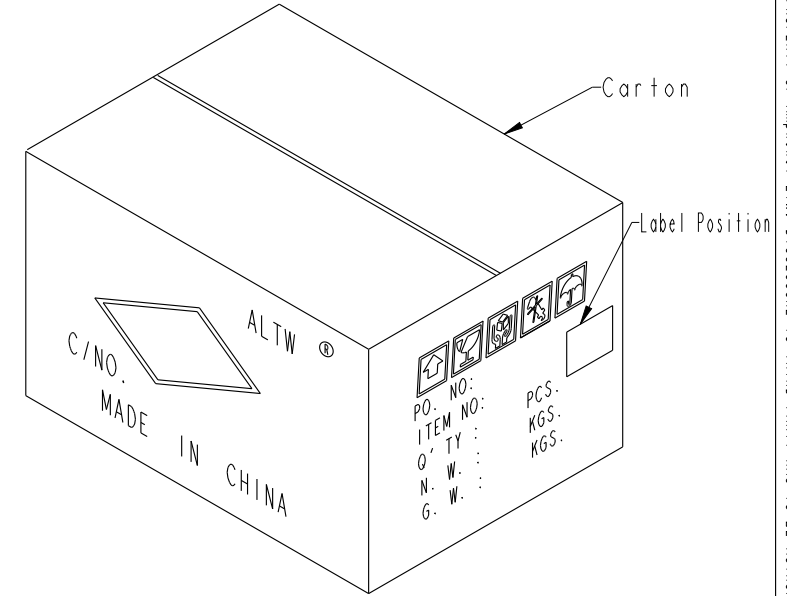
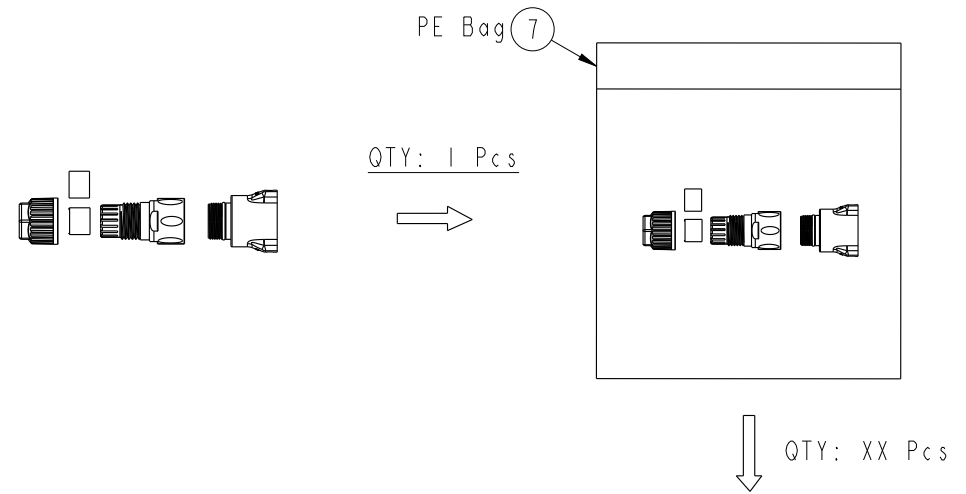
Optional Part: Terminal
P/N: SAF16B-XXG03

- 01: 2000Pcs/Reel
- 02: 500 Pcs Loose
- 03: 100 Pcs Loose

Contact Material: Copper Alloy, Gold Plated
Current Rating: 10A.
Wire Range: 16#~18#



Note:
* One Set Unassembled In One PE Bag.
(每一組未組裝, 放置於一個PE袋, 並封口)



UNIT: mm			TITLE ASSY RBL 10A F CONN F PIN
TOLERANCE .X ±0.25 .XX ±0.1 .XXX ±0.05 ANGLES ±1°	SCALE 1:1	SIZE A4	SHEET 2 OF 2
REV. A	WC-REV. A.2	QC: Inspection item	

Amphenol LTW
安費諾亮泰企業股份有限公司

ITEM NO.	DRAWN BY Mafei	DATE 2015/07/13
DWG NO. CB-XXBFFC-RL7001	CHECKED BY Alex_Lin	DATE 2015/07/13
CUSTOMER ALTW	APPROVED BY Jerry	DATE 2015/07/13

X-ON Electronics

Largest Supplier of Electrical and Electronic Components

Click to view similar products for [Standard Circular Connector](#) category:

Click to view products by [Amphenol](#) manufacturer:

Other Similar products are found below :

[5M2530B10P](#) [600259N006](#) [600273N007](#) [6134-336-13149](#) [6134-337-11149](#) [6134-337-2390](#) [6134-341-17149](#) [6280-4SG-516](#) [6280-7SG-3DC](#)
[6290](#) [6291A](#) [66200A-10](#) [680-SMG](#) [681-PMG](#) [CXS3102A14S2P](#) [CXS3102A181S](#) [7251-6SG-300](#) [7271-6SG-300](#) [7282-3PG-300-CH3](#) [75-](#)
[474014-05S](#) [75-474618-01S](#) [75-474618-04S](#) [799539-000](#) [MI8-SE](#) [805-005-07NF11-19PC](#) [805-005-07NF15-7PA](#) [8280-4PG-516](#) [8280-7PG-](#)
[519](#) [8282-5PG-519](#) [836783-1](#) [MP-4102-25P-C](#) [862256-1](#) [864019-2](#) [866857-1](#) [867865-1](#) [PT01SP-14-18P](#) [PT08P-14-5S](#) [PTSF06SE-14-12S](#)
[120-1833-000](#) [QCM019PC2DC012B](#) [1-2069279-1](#) [121583-0217](#) [121667-0020](#) [129591AU](#) [1000B BULK](#) [RD10A16-19-P6CS051/1](#)
[RD10A20-31-P8CS051/1](#) [RD16A14-12-S6CS051/2](#) [1301240290](#) [1301240347](#) [1301860202](#)