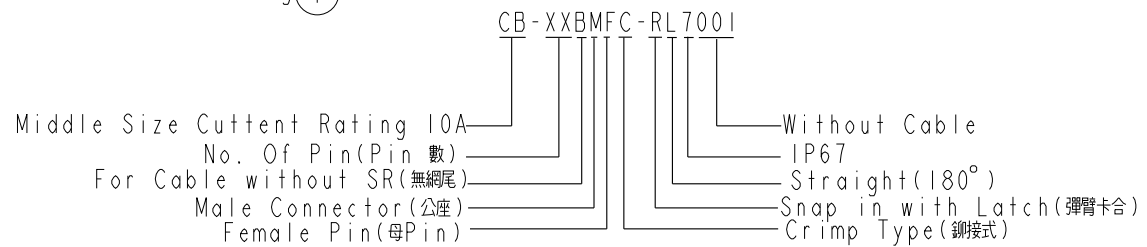
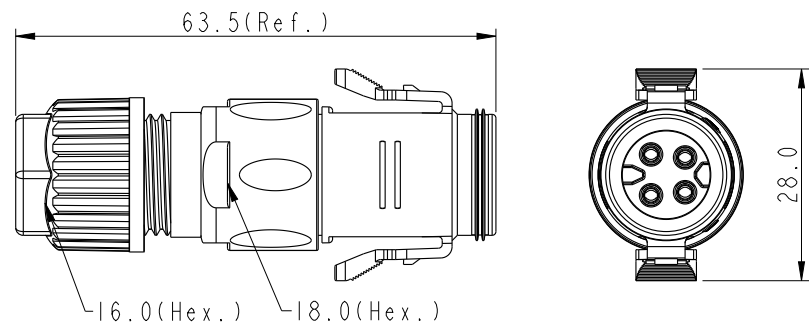
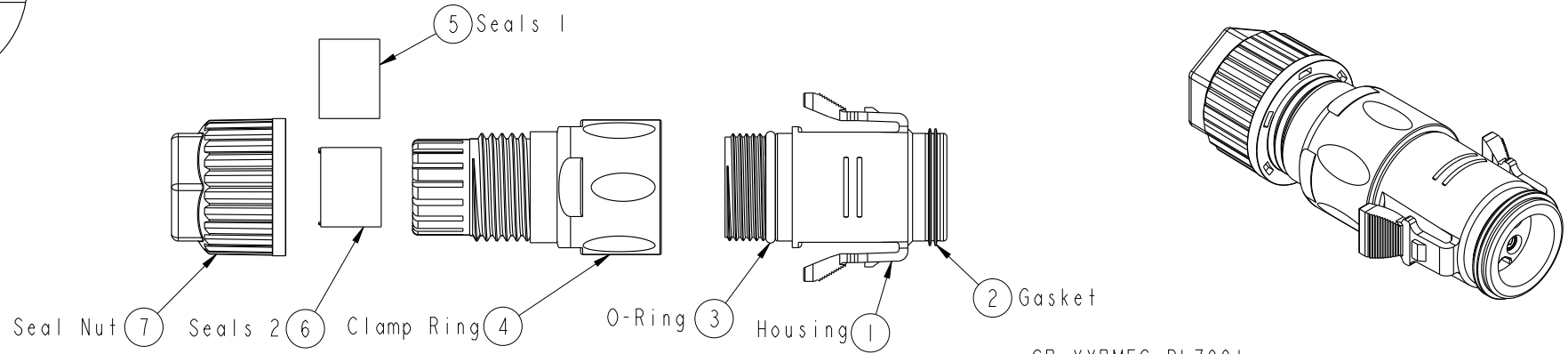


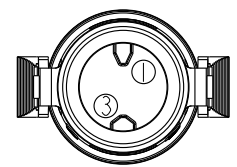
THIS DOCUMENT IS SUBJECT TO CHANGE WITHOUT NOTICE. IT IS CONFIDENTIAL AND A PROPERTY OF Amphenol LTW. DISCLOSURE TO THIRD PARTY HAS TO BE AUTHORIZED BY Amphenol LTW.

REV.	ECN NO.	DATE	SIGN	DESCRIPTION
A	Initial Release	2015/07/26	Mafei	Change Rev.01 To Rev.A

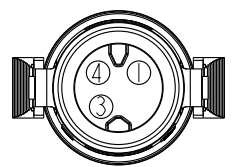
**ALTW**  
**CONFIDENTIAL**  
**2015-07-26**  
**R&D DEPT.**



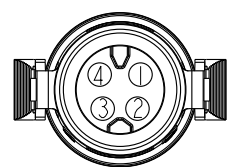
- Note:
- \*  $\varnothing$  Important Dimension To Check.
  - \* Waterproof Rate: IP67 (Mating)
  - \* Housing: M-PPE, Black, UL94 V-0, UL746C fl
  - \* Conductor Current Rating: Max.10A Depends On Wire
  - \* O-Ring: Silicone, Gray, UL94 V-0
  - \* Seals: Silicone, Gray, UL94 V-0
  - \* Clamp Ring: Nylon, Black, UL94 V-0, UL746C fl
  - \* Sealing Nut: Nylon, Black, UL94 V-0, UL746C fl
  - \* Seal 1 For Cable OD:  $\varnothing$ 4.5mm~ $\varnothing$ 7.5mm
  - \* Seal 2 For Cable OD:  $\varnothing$ 7.5mm~ $\varnothing$ 9.5mm
  - \* Prohibiting the use of place in oils.
  - \* Clamp Ring Recommended Tightening Torque: 4~7 Kgf.cm(0.4~0.7 N.m)
  - \* Sealing Nut Recommended Tightening Torque: 5~10 Kgf.cm(0.5~1 N.m)



2 PIN  
Pin Assignments  
Front View



3 PIN  
Pin Assignments  
Front View



4 PIN  
Pin Assignments  
Front View

UNIT:mm		TITLE	ASSY RBL 10A M CONN F PIN	
TOLERANCE	$\pm 0.5$	SCALE	1:1	SIZE A4
REV.	A	SHEET	1	OF 2
WC-REV.	A.2	$\varnothing$ : Inspection item		

**Amphenol LTW**  
**安費諾亮泰企業股份有限公司**

ITEM NO	DRAWN BY	DATE
DWG NO	CB-XXBMFC-RL7001	Mafei
CHECKED BY	Alex_Lin	2015-07-26
APPROVED BY	Jerry	2015-07-26
CUSTOMER	ALTW	DATE
		2015-07-26

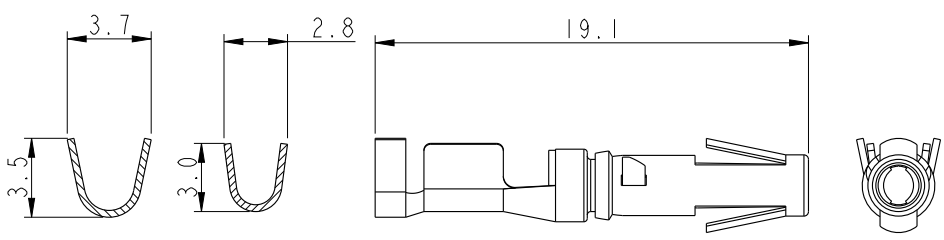
THIS DOCUMENT IS SUBJECT TO CHANGE WITHOUT NOTICE. IT IS CONFIDENTIAL AND A PROPERTY OF AMPHENOL LTW. DISCLOSURE TO THIRD PARTY HAS TO BE AUTHORIZED BY AMPHENOL LTW.

REV.	ECN NO.	DATE	SIGN	DESCRIPTION

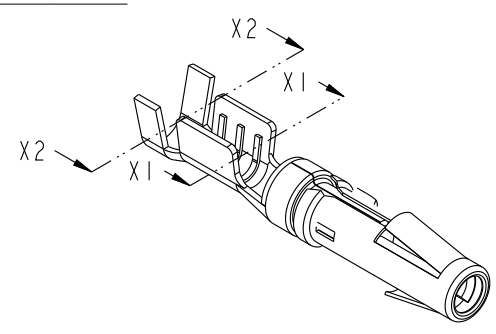
Optional Part: Terminal  
P/N: SAF16B-XXG03

- 01: 2000Pcs/Reel
- 02: 500 Pcs Loose
- 03: 100 Pcs Loose

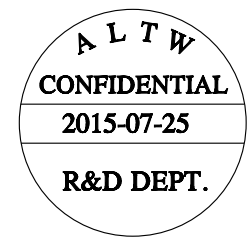
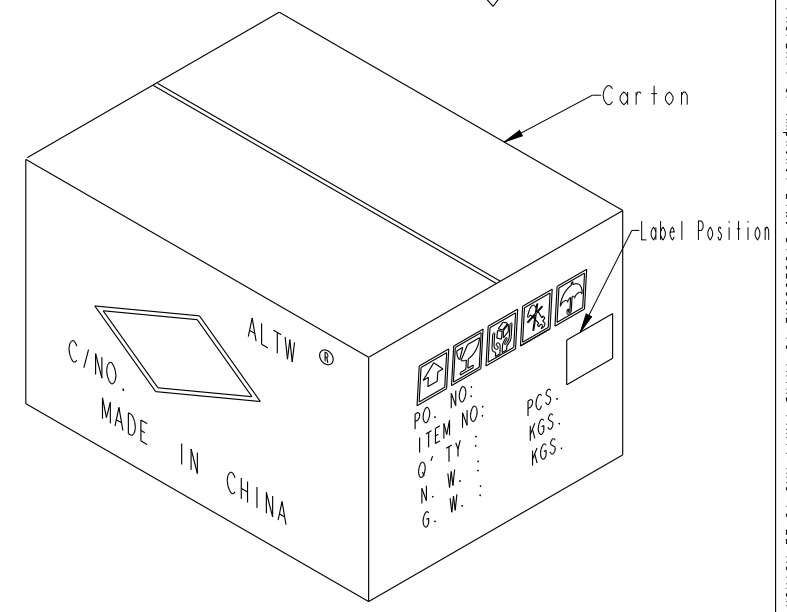
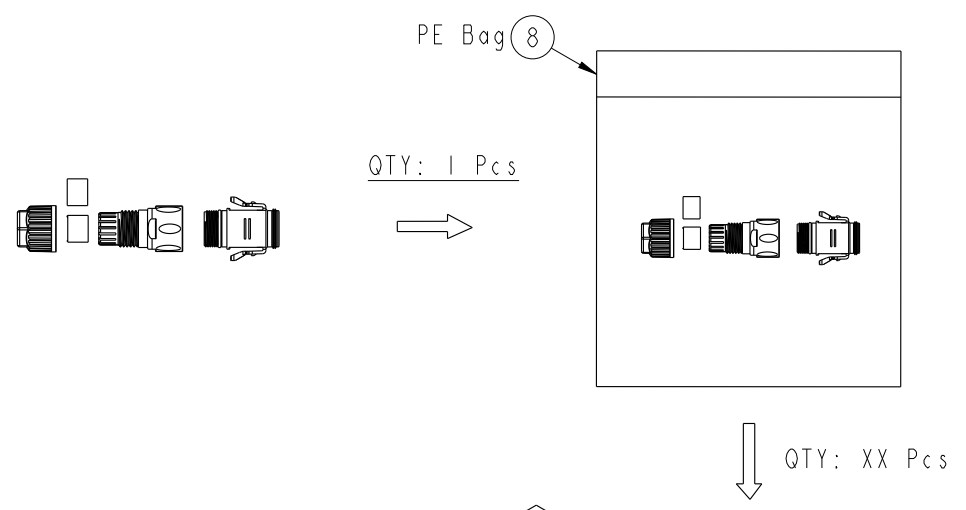
Contact Material: Copper Alloy, Gold Plated  
Current Rating: 10A.  
Wire Range: 16#~18#



SEC: X2-X2    SEC: X1-X1



Note:  
\* One Set Unassembled In One PE Bag.  
(每一組未組裝，放置於一個PE袋，並封口)



UNIT: mm			TITLE ASSY RBL 10A M CONN F PIN		
TOLERANCE	.X ±0.25	.XX ±0.1	SCALE 1:1	SIZE A4	SHEET 2 OF 2
.XXX ±0.05	ANGLES ±1°		REV. A	WC-REV. A.2	QC: Inspection item

**Amphenol LTW**  
安費諾亮泰企業股份有限公司

ITEM NO.	DRAWN BY Mafei	DATE 2015/07/26
DWG NO. CB-XXBMFC-RL7001	CHECKED BY Alex_Lin	DATE 2015/07/26
CUSTOMER ALTW	APPROVED BY Jerry	DATE 2015/07/26

## X-ON Electronics

Largest Supplier of Electrical and Electronic Components

*Click to view similar products for [Standard Circular Connector](#) category:*

*Click to view products by [Amphenol](#) manufacturer:*

Other Similar products are found below :

[5M2530B10P](#) [600259N006](#) [600273N007](#) [6134-336-13149](#) [6134-337-11149](#) [6134-337-2390](#) [6134-341-17149](#) [6280-4SG-516](#) [6280-7SG-3DC](#)  
[6290](#) [6291A](#) [66200A-10](#) [680-SMG](#) [681-PMG](#) [CXS3102A14S2P](#) [CXS3102A181S](#) [7251-6SG-300](#) [7271-6SG-300](#) [7282-3PG-300-CH3](#) [75-](#)  
[474014-05S](#) [75-474618-01S](#) [75-474618-04S](#) [799539-000](#) [MI8-SE](#) [805-005-07NF11-19PC](#) [805-005-07NF15-7PA](#) [8280-4PG-516](#) [8280-7PG-](#)  
[519](#) [8282-5PG-519](#) [836783-1](#) [MP-4102-25P-C](#) [862256-1](#) [864019-2](#) [866857-1](#) [867865-1](#) [PT01SP-14-18P](#) [PT08P-14-5S](#) [PTSF06SE-14-12S](#)  
[120-1833-000](#) [QCM019PC2DC012B](#) [1-2069279-1](#) [121583-0217](#) [121667-0020](#) [129591AU](#) [1000B BULK](#) [RD10A16-19-P6CS051/1](#)  
[RD10A20-31-P8CS051/1](#) [RD16A14-12-S6CS051/2](#) [1301240290](#) [1301240347](#) [1301860202](#)