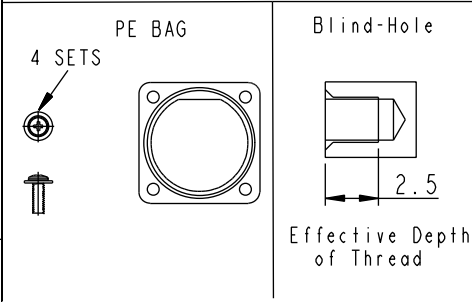
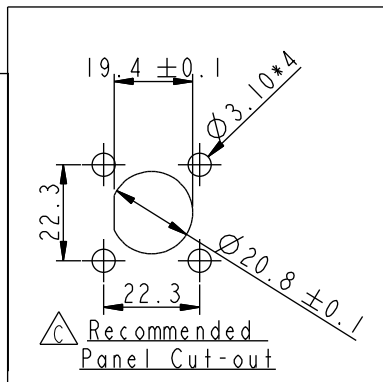
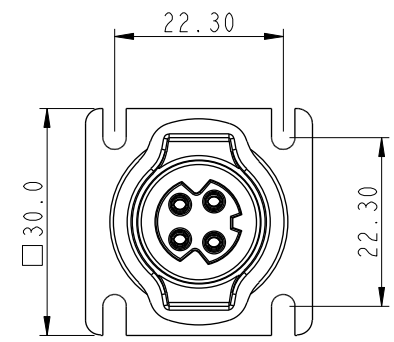
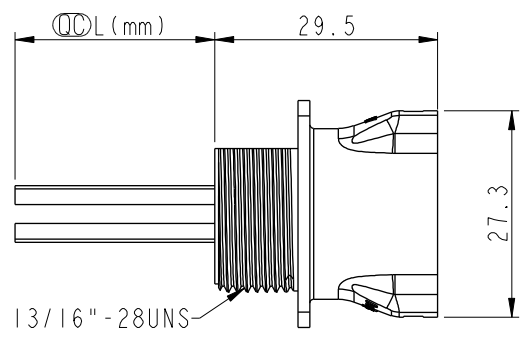
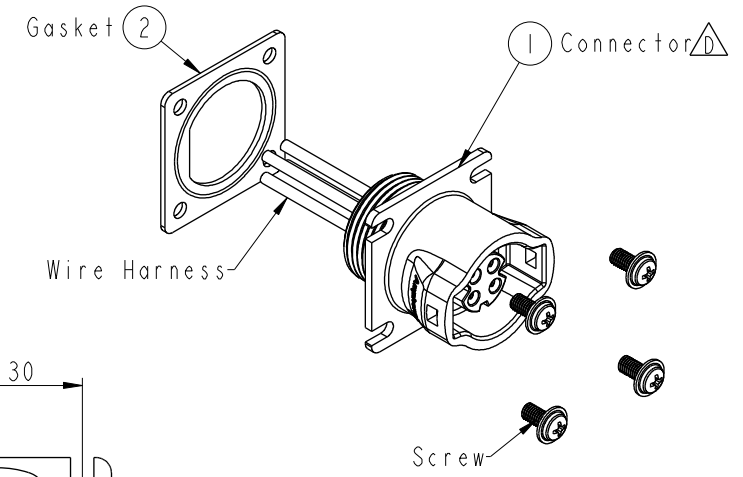
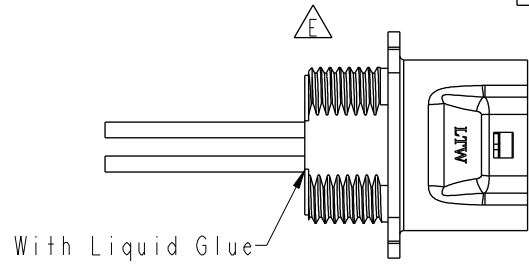
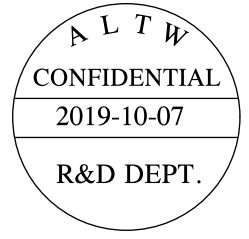


THIS DOCUMENT IS SUBJECT TO CHANGE WITHOUT NOTICE. IT IS CONFIDENTIAL AND A PROPERTY OF AMPHENOL LTW. DISCLOSURE TO THIRD PARTY HAS TO BE AUTHORIZED BY AMPHENOL LTW.

REV.	ECN NO.	DATE	SIGN	DESCRIPTION
D	LE315A0035~37	2015/09/19	Joyy	Update The Drawing
E	CI80139	2018/11/27	Mafei	Remove The Shrink Tube.
F	CI91730	2019/10/07	Vicky	Update Code & Wire Tolerance



Note:

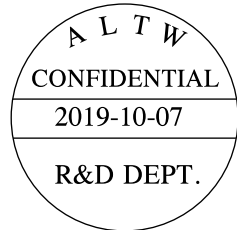
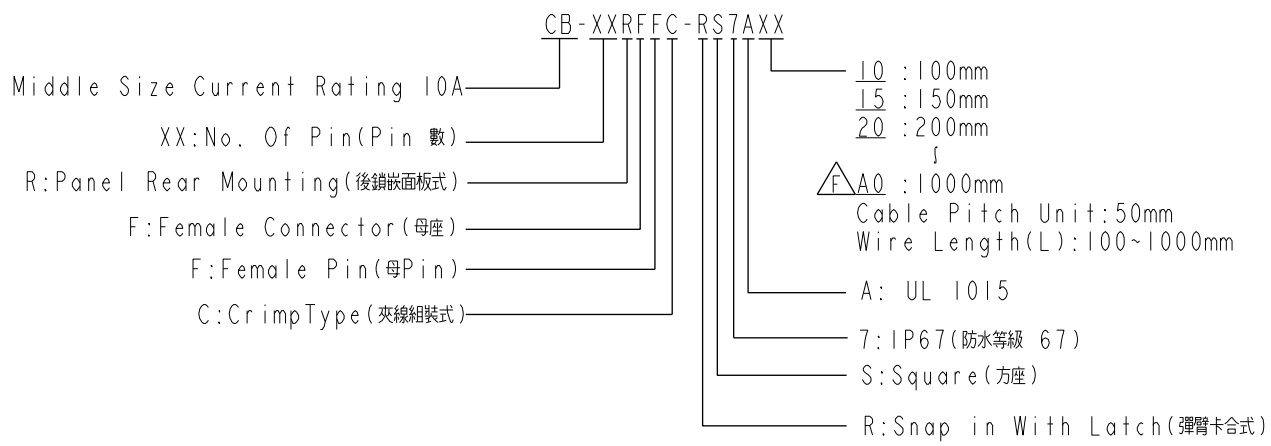
- * \varnothing Important Dimension To Check.
- * Waterproof Rate: IP67
- * Housing: M-PPE, Black.
- * Female Pin: Copper Alloy, Gold Plated.
- * Gasket: Silicone, Gray.
- * Wire Harness: UL1015 16#
- * Blind holes for the screws used M3X0.5mm
- * Blind Hole Size M3X0.5mm
- * Screw Torque: 1.5~2kgf.cm
- * Wire harness Tolerance: 100 ± 10mm
101~300 ± 15mm
301~1000 ± 20mm
- * Prohibiting the use of place in oils

UNIT:mm		TITLE	MIDDLE PANEL RBL F CONN F PIN		
TOLERANCE	±0.5mm	SCALE	1:1	SIZE	A4
		SHEET	1	OF	2
REV.	F	WC-REV.	A.14	\varnothing	Inspection item

Amphenol LTW
安費諾亮泰企業股份有限公司

ITEM NO	DRAWN BY	DATE
	Mafei	2018-11-27
DWG NO	CHECKED BY	DATE
CB-XXRFFC-RSTAXX	Jerry	2018-11-27
CUSTOMER	APPROVED BY	DATE
ALTW	Max	2018-11-27

THIS DOCUMENT IS SUBJECT TO CHANGE WITHOUT NOTICE. IT IS CONFIDENTIAL AND A PROPERTY OF AMPHENOL LTW. DISCLOSURE TO THIRD PARTY HAS TO BE AUTHORIZED BY AMPHENOL LTW.



Pin Out	4 -- 3 Red 紅 2 -- 1 Black 黑	4 Green 綠 3 Red 紅 2 -- 1 Black 黑	4 Orange 橙 3 Red 紅 2 Brown 棕 1 Black 黑
Pin Assignments Front View	 2Pin	 3Pin	 4Pin

UNIT:mm		TITLE MIDDLE PANEL RBL F CONN F PIN		<h1>Amphenol LTW</h1> <p>安費諾亮泰企業股份有限公司</p>	ITEM NO	DRAWN BY Mafei	DATE 2018-11-27
TOLERANCE ±0.5mm	SCALE 1:1	SIZE A4	SHEET 2 OF 2		DWG NO CB-XXRFFC-RS7AXX	CHECKED BY Jerry	DATE 2018-11-27
REV. F	WC-REV. A.14	QC: Inspection item			CUSTOMER ALTW	APPROVED BY Max	DATE 2018-11-27

X-ON Electronics

Largest Supplier of Electrical and Electronic Components

Click to view similar products for [Standard Circular Connector](#) category:

Click to view products by [Amphenol](#) manufacturer:

Other Similar products are found below :

[5M2530B10P](#) [600259N006](#) [600273N007](#) [6134-336-13149](#) [6134-337-11149](#) [6134-337-2390](#) [6134-341-17149](#) [6280-4SG-516](#) [6280-7SG-3DC](#)
[6290](#) [6291A](#) [66200A-10](#) [680-SMG](#) [681-PMG](#) [CXS3102A14S2P](#) [CXS3102A181S](#) [7251-6SG-300](#) [7271-6SG-300](#) [7282-3PG-300-CH3](#) [75-](#)
[474014-05S](#) [75-474618-01S](#) [75-474618-04P](#) [75-474618-04S](#) [799539-000](#) [MI8-SE](#) [805-005-07NF11-19PC](#) [805-005-07NF15-7PA](#) [8280-4PG-](#)
[516](#) [8280-7PG-519](#) [8282-5PG-519](#) [836783-1](#) [MP-4102-25P-C](#) [862256-1](#) [864019-2](#) [866857-1](#) [867865-1](#) [PT01SP-14-18P](#) [PT08P-14-5S](#)
[PTSF06SE-14-12S](#) [120-1833-000](#) [QCM019PC2DC012B](#) [1-2069279-1](#) [121583-0217](#) [121667-0020](#) [129591AU](#) [1000B BULK](#) [RD10A16-19-](#)
[P6CS051/1](#) [RD10A20-31-P8CS051/1](#) [RD16A14-12-S6CS051/2](#) [1301240290](#) [1301240347](#)