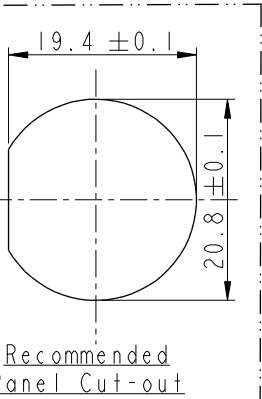
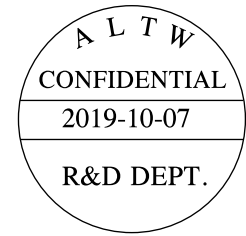
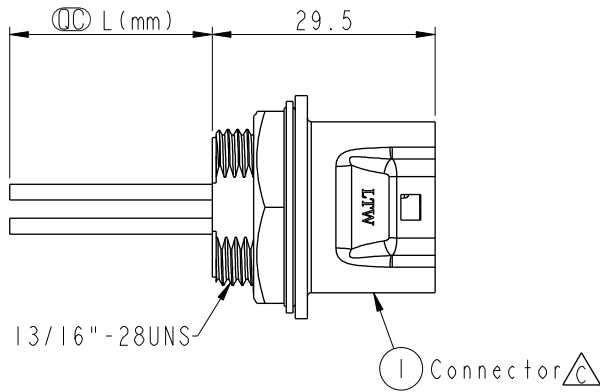
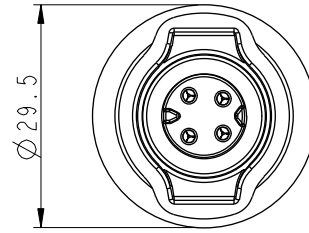
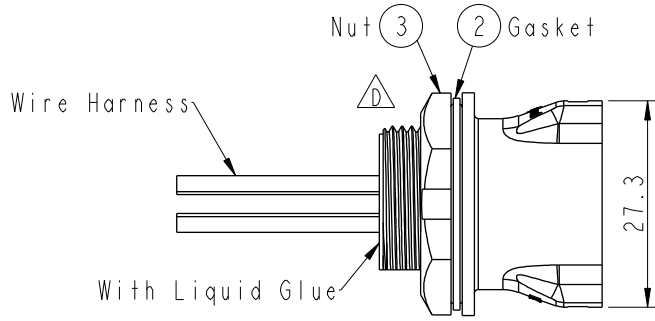
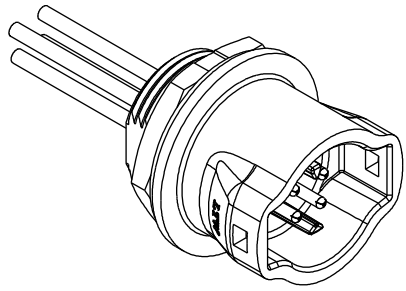


REV.	ECN NO.	DATE	SIGN	DESCRIPTION
C	LE315A0041~43	2015/09/22	Joyy	Update The Drawing
D	CI80139	2018/11/27	Mafei	Remove The Shrink Tube.
E	CI91730	2019/10/07	Vicky	Update Code & Wire Tolerance



- Note:
- \* (D) Important Dimension To Check.
  - \* Waterproof Rate: IP67
  - \* Housing: M-PPE, Black.
  - \* Male Pin: Copper Alloy, Gold Plated.
  - \* Gasket: Silicone, Black.
  - \* Screw Nut: Nylon+GF, Black.
  - \* Wire Harness UL1015 16#
  - \* Panel Thickness Max: 5.0mm
  - \* Recommended Nut Torque: 4~7 kgf.cm
  - \* Wire harness Tolerance: 100 ± 10mm  
101~300 ± 15mm  
301~1000 ± 20mm
- △ E Prohibiting the use of place in oils

UNIT:mm		
TOLERANCE	± 0.5mm	

TITLE MIDDLE PANEL RBL F CONN M PIN		
SCALE 1:1	SIZE A4	SHEET 1 OF 2
REV. E	WC-REV. A.7	(D): Inspection item

**Amphenol LTW**  
安費諾亮泰企業股份有限公司

ITEM NO	DRAWN BY Mafei	DATE 2018-11-27
DWG NO CB-XXRFMC-RC7AXX	CHECKED BY Jerry	DATE 2018-11-27
CUSTOMER ALTW	APPROVED BY Max	DATE 2018-11-27

THIS DOCUMENT IS SUBJECT TO CHANGE WITHOUT NOTICE. IT IS CONFIDENTIAL AND A PROPERTY OF Amphenol LTW. DISCLOSURE TO THIRD PARTY HAS TO BE AUTHORIZED BY Amphenol LTW.

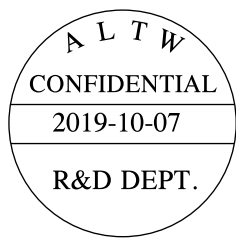
THIS DOCUMENT IS SUBJECT TO CHANGE WITHOUT NOTICE. IT IS CONFIDENTIAL AND A PROPERTY OF AMPHENOL LTW. DISCLOSURE TO THIRD PARTY HAS TO BE AUTHORIZED BY AMPHENOL LTW.



**CB-XXRFMC-RC7AXX**  
 Middle Size Current Rating 10A  
 XX: No. Of Pin (Pin 數)  
 R: Panel Rear Mounting (後鎖嵌面板式)  
 F: Female Connector (母座)  
 M: Male Pin (公Pin)  
 C: Crimp Type (夾線組裝式)

10 : 100mm  
 15 : 150mm  
 20 : 200mm  
 s  
 A0 : 1000mm  
 Cable Pitch Unit: 50mm  
 Wire Length (L): 100~1000mm

A: UL 1015  
 7: IP67 (防水等級 67)  
 C: Circular (圓座)  
 R: Snap in With Latch (彈臂卡合式)



Pin Out	4 -- 3 Red 紅 2 -- 1 Black 黑	4 Green 綠 3 Red 紅 2 -- 1 Black 黑	4 Orange 橙 3 Red 紅 2 Brown 棕 1 Black 黑
Pin Assignments Front View	 2Pin	 3Pin	 4Pin

UNIT:mm		TITLE	MIDDLE PANEL RBL F CONN M PIN	
TOLERANCE	±0.5mm	SCALE	1:1	SIZE A4
		REV.	E	WC-REV. A.7
			SHEET 2 OF 2	
			QC: Inspection item	

**Amphenol LTW**  
安費諾亮泰企業股份有限公司

ITEM NO	DRAWN BY	DATE
DWG NO	CHECKED BY	DATE
CUSTOMER	APPROVED BY	DATE
ALTW	Mafei Jerry Max	2018-11-27 2018-11-27 2018-11-27

## X-ON Electronics

Largest Supplier of Electrical and Electronic Components

*Click to view similar products for [Standard Circular Connector](#) category:*

*Click to view products by [Amphenol](#) manufacturer:*

Other Similar products are found below :

[5M2530B10P](#) [600259N006](#) [600273N007](#) [6134-336-13149](#) [6134-337-11149](#) [6134-337-2390](#) [6134-341-17149](#) [6280-4SG-516](#) [6280-7SG-3DC](#)  
[6290](#) [6291A](#) [66200A-10](#) [680-SMG](#) [681-PMG](#) [CXS3102A14S2P](#) [CXS3102A181S](#) [7251-6SG-300](#) [7271-6SG-300](#) [7282-3PG-300-CH3](#) [75-](#)  
[474014-05S](#) [75-474618-01S](#) [75-474618-04P](#) [75-474618-04S](#) [799539-000](#) [MI8-SE](#) [805-005-07NF11-19PC](#) [805-005-07NF15-7PA](#) [8280-4PG-](#)  
[516](#) [8280-7PG-519](#) [8282-5PG-519](#) [836783-1](#) [MP-4102-25P-C](#) [862256-1](#) [864019-2](#) [866857-1](#) [867865-1](#) [PT01SP-14-18P](#) [PT08P-14-5S](#)  
[PTSF06SE-14-12S](#) [120-1833-000](#) [QCM019PC2DC012B](#) [1-2069279-1](#) [121583-0217](#) [121667-0020](#) [129591AU](#) [1000B BULK](#) [RD10A16-19-](#)  
[P6CS051/1](#) [RD10A20-31-P8CS051/1](#) [RD16A14-12-S6CS051/2](#) [1301240290](#) [1301240347](#)