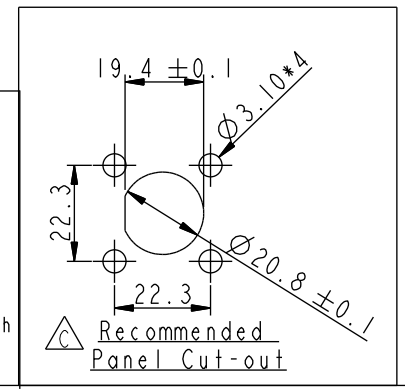
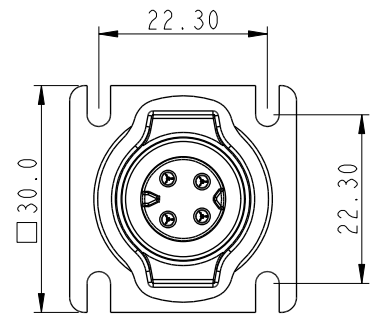
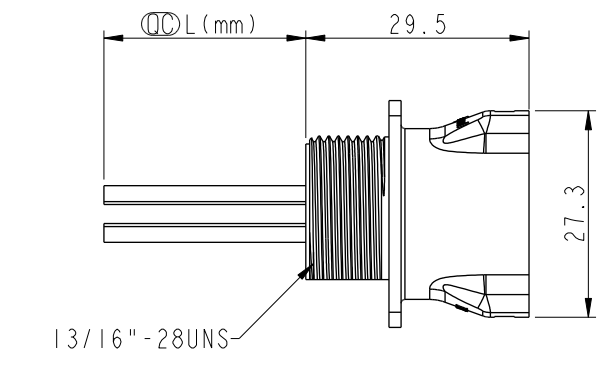
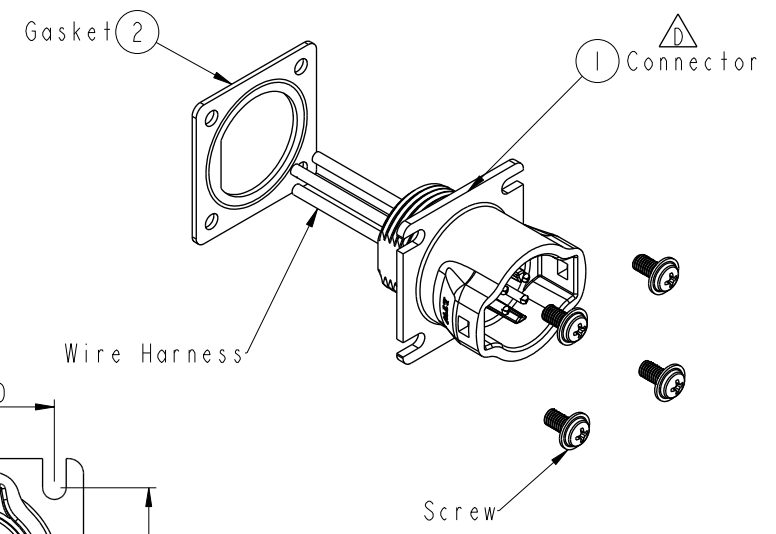
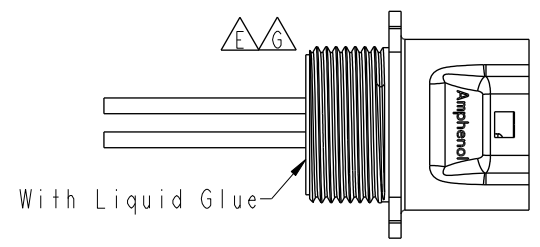


THIS DOCUMENT IS SUBJECT TO CHANGE WITHOUT NOTICE. IT IS CONFIDENTIAL AND A PROPERTY OF Amphenol LTW. DISCLOSURE TO THIRD PARTY HAS TO BE AUTHORIZED BY Amphenol LTW.

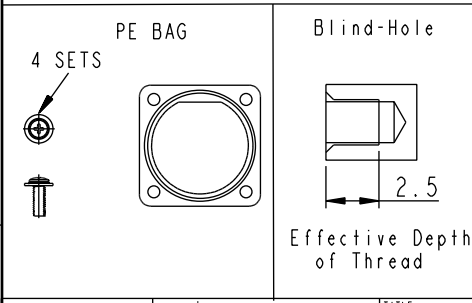
REV.	ECN NO.	DATE	SIGN	DESCRIPTION
E	C180139	2018/11/27	Mafei	Remove The Shrink Tube.
F	C191730	2019/10/07	Vicky	Update Code & Wire Tolerance
G	C200462	2020/04/13	Ruru	△G XI

ALTW
 CONFIDENTIAL
 2020-04-13
 R&D DEPT.



Note:

- * \varnothing Important Dimension To Check.
- * Waterproof Rate: IP67
- * Housing: M-PPE, Black.
- * Male Pin: Copper Alloy, Gold Plated.
- * Gasket: Silicone, Gray.
- * Wire Harness: UL1015 16#
- * Blind holes for the screws used M3X0.5mm
- * Blind Hole Size M3X0.5mm
- * Screw Torque: 1.5~2kgf.cm
- * Wire harness Tolerance: 100 ± 10mm
101~300 ± 15mm
301~1000 ± 20mm
- * Prohibiting the use of place in oils

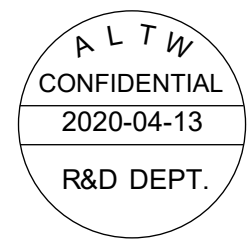


UNIT: mm	\varnothing	TITLE	MIDDLE PANEL RBL F CONN M PIN	
TOLERANCE	$\pm 0.5mm$	SCALE	1:1	SIZE A4
		REV.	F	WC-REV. A.8
				SHEET 1 OF 2
				QC: Inspection item

Amphenol LTW
 安費諾亮泰企業股份有限公司

ITEM NO	DRAWN BY	DATE
	Mafei	2018-11-27
DWG NO	CHECKED BY	DATE
CB-XXRFMC-RSTAXX	Jerry	2018-11-27
CUSTOMER	APPROVED BY	DATE
ALTW	Max	2018-11-27

THIS DOCUMENT IS SUBJECT TO CHANGE WITHOUT NOTICE. IT IS CONFIDENTIAL AND A PROPERTY OF Amphenol LTW. DISCLOSURE TO THIRD PARTY HAS TO BE AUTHORIZED BY Amphenol LTW.



CB-XXRFMC-RS7AXX

Middle Size Current Rating 10A
 XX: No. Of Pin (Pin 數)
 R: Panel Rear Mounting (後鑲嵌面板式)
 F: Female Connector (母座)
 M: Male Pin (公Pin)
 C: Crimp Type (夾線組裝式)

10 : 100mm
 15 : 150mm
 20 : 200mm
 A0 : 1000mm
 Cable Pitch Unit: 50mm
 Wire Length (L): 100~1000mm
 A: UL 1015
 7: IP67 (防水等級 67)
 S: Square (方座)
 R: Snap in With Latch (彈臂卡合式)

Pin Out	4	--	4	Green 綠	4	Orange 橙
	3	Red 紅	3	Red 紅	3	Red 紅
	2	--	2	--	2	Brown 棕
	1	Black 黑	1	Black 黑	1	Black 黑
Pin Assignments Front View						
	2Pin		3Pin		4Pin	

UNIT: mm TOLERANCE ±0.5mm	TITLE MIDDLE PANEL RBL F CONN M PIN		Amphenol LTW 安費諾亮泰企業股份有限公司		ITEM NO	DRAWN BY Mafei	DATE 2018-11-27
	SCALE 1:1	SIZE A4			SHEET 2 OF 2	DWG NO CB-XXRFMC-RS7AXX	CHECKED BY Jerry
	REV. F	WC-REV. A.8	☉: Inspection item		CUSTOMER ALTW	APPROVED BY Max	DATE 2018-11-27

X-ON Electronics

Largest Supplier of Electrical and Electronic Components

Click to view similar products for [Standard Circular Connector](#) category:

Click to view products by [Amphenol](#) manufacturer:

Other Similar products are found below :

[5M2530B10P](#) [600259N006](#) [600273N007](#) [6134-336-13149](#) [6134-337-11149](#) [6134-337-2390](#) [6134-341-17149](#) [6280-4SG-516](#) [6280-7SG-3DC](#)
[6290](#) [6291A](#) [66200A-10](#) [680-SMG](#) [681-PMG](#) [CXS3102A14S2P](#) [CXS3102A181S](#) [7251-6SG-300](#) [7271-6SG-300](#) [7282-3PG-300-CH3](#) [75-](#)
[474014-05S](#) [75-474618-01S](#) [75-474618-04S](#) [799539-000](#) [MI8-SE](#) [805-005-07NF11-19PC](#) [805-005-07NF15-7PA](#) [8280-4PG-516](#) [8280-7PG-](#)
[519](#) [8282-5PG-519](#) [836783-1](#) [MP-4102-25P-C](#) [862256-1](#) [864019-2](#) [866857-1](#) [867865-1](#) [PT01SP-14-18P](#) [PT08P-14-5S](#) [PTSF06SE-14-12S](#)
[120-1833-000](#) [QCM019PC2DC012B](#) [1-2069279-1](#) [121583-0217](#) [121667-0020](#) [129591AU](#) [1000B BULK](#) [RD10A16-19-P6CS051/1](#)
[RD10A20-31-P8CS051/1](#) [RD16A14-12-S6CS051/2](#) [1301240290](#) [1301240347](#) [1301860202](#)