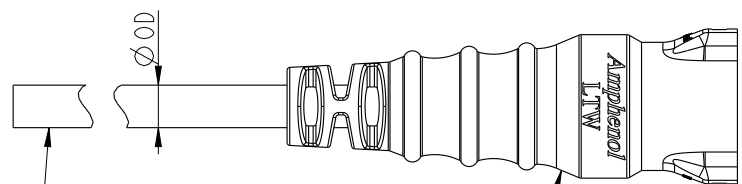
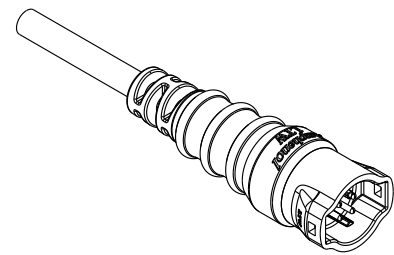
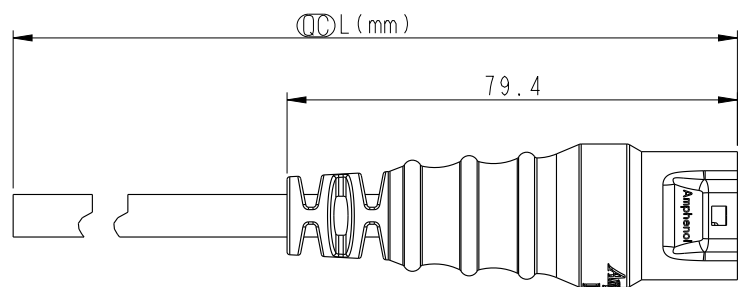
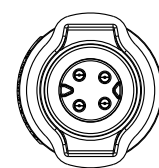


REV.	ECN NO.	DATE	SIGN	DESCRIPTION
B	LE31580197~99	2015/08/12	Lu Di	Change To Common Drawing
C	LEN1680344 LEN1680350-51	2016/08/08	Mafei	Updated The Pin Out Color.

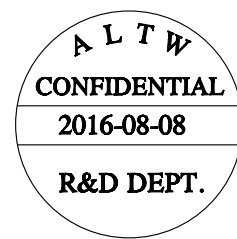


Cable ②

CB-XXAFMM-RL7000 ①
Color:Black



Conn



- Note:
- * ① Important Dimension To Check.
 - * Waterproof Rate: IP67
 - * Housing: M-PPE, Black.
 - * Male Pin: Copper Alloy, Gold Plated.
 - * Cable: UL2464 16#, PVC Jacket, UV Resistant, Black.
 - * Cable Length Tolerance: 01M:±40mm
02M~05M:±60mm
06M~10M:±100mm
11M~30M:±200mm
31M~99M:±500mm
 - * Prohibiting the use of place in oils



CB-02AFMM-RL7AXX	∅7.8
CB-03AFMM-RL7AXX	∅7.5
CB-04AFMM-RL7AXX	∅7.5
Part No.	Cable OD

UNIT:mm		
TOLERANCE	±0.5	

TITLE MIDDLE CABLE RBL F CONN M PIN			
SCALE 3:4	SIZE A4	SHEET 1 OF 2	
REV. C	WC-REV. A.3	①: Inspection item	

Amphenol LTW
安費諾亮泰企業股份有限公司

ITEM NO.	DRAWN BY Mafei	DATE 2016/08/08
DWG NO. CB-XXAFMM-RL7AXX	CHECKED BY Joyy	DATE 2016/08/08
CUSTOMER ALTW	APPROVED BY Jerry	DATE 2016/08/08

THIS DOCUMENT IS SUBJECT TO CHANGE WITHOUT NOTICE. IT IS CONFIDENTIAL AND A PROPERTY OF Amphenol LTW. DISCLOSURE TO THIRD PARTY HAS TO BE AUTHORIZED BY Amphenol LTW.

THIS DOCUMENT IS SUBJECT TO CHANGE WITHOUT NOTICE. IT IS CONFIDENTIAL AND A PROPERTY OF AMPHENOL LTW. DISCLOSURE TO THIRD PARTY HAS TO BE AUTHORIZED BY AMPHENOL LTW.



F

E

D

C

B

A

CB-XXAFMM-RL7A XX

Middle Size Current Rating 10A

XX:No. Of Pin(Pin 數)

A:Cable With S/R(線端帶網尾)

F:Female Connector(母座)

M:Male Pin(公Pin)

M:Molding Type(射出成型)

XX:01~99Meter

01:01Meter

02:02Meter

...

...

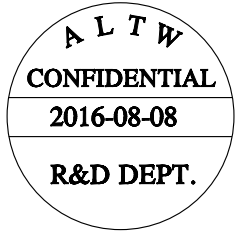
99:99Meter


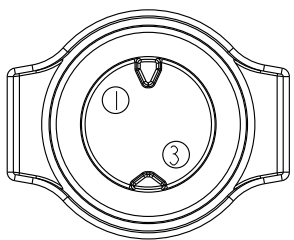
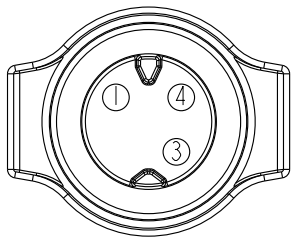
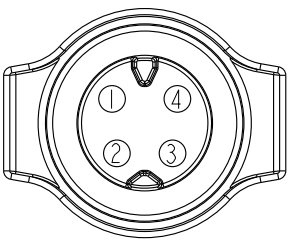
A:UL 2464 Cable



7:IP67(防水等級 67)

L:Straight(180°)

R:Snap In With Latch(彈臂卡合式)



Pin Out	4 -- 3 Red 紅 2 -- 1 Black 黑	4 Green 綠 3 White 白  2 -- 1 Black 黑	4 Orange 橙 3 Red 紅 2 Brown 棕 1 Black 黑
Pin Assignments Front View	 2Pin	 3Pin	 4Pin

UNIT:mm  
TOLERANCE
±0.5

TITLE MIDDLE CABLE RBL F CONN M PIN			
SCALE 3:4	SIZE A4	SHEET 2 OF 2	
REV. C	WC-REV. A.3	QC: Inspection item	

Amphenol LTW
安費諾亮泰企業股份有限公司

ITEM NO	DRAWN BY Mafei	DATE 2016/08/08
DWG NO CB-XXAFMM-RL7AXX	CHECKED BY Joyy	DATE 2016/08/08
CUSTOMER ALTW	APPROVED BY Jerry	DATE 2016/08/08

DATE 2016/08/08
DATE 2016/08/08
DATE 2016/08/08

X-ON Electronics

Largest Supplier of Electrical and Electronic Components

Click to view similar products for [Sensor Cables / Actuator Cables](#) category:

Click to view products by [Amphenol](#) manufacturer:

Other Similar products are found below :

[60963](#) [60964](#) [M83513/19-F01CP](#) [703000D02F2002](#) [703001D02F0602](#) [703001D02F300](#) [704000D02F120](#) [773032K02F030](#) [802027107404-1](#)
[802027213811-1](#) [804001A09M150](#) [805001A09M0502](#) [84914-0235](#) [84914-0237](#) [885030A09M020](#) [8R4J30E03C3003](#) [1200651332](#)
[1200651713](#) [1200660844](#) [1200660845](#) [1200661173](#) [1200680071](#) [1200720053](#) [1200720081](#) [1200720099](#) [1200720217](#) [1200800231](#)
[1200860125](#) [1200870123](#) [1200980102](#) [1200650267](#) [1200650298](#) [1200660183](#) [1200660782](#) [1200660849](#) [1200661295](#) [1200661297](#)
[1200661342](#) [1200661343](#) [1200670080](#) [1200670220](#) [1200680331](#) [1200720252](#) [1200730184](#) [1200860344](#) [1200870359](#) [1200870643](#)
[1200980008](#) [1200980031](#) [1210502211](#)